

MATERIALS AND FINISH

BODY: BRASS
PLATED TIN

CENTER CONTACT: BERYLLIUM COPPER
PLATED GOLD

CONTACT: BRASS
PLATED GOLD

INSULATOR: TEFLON

JAM NUT: BRASS
PLATED NICKEL

WASHER: PHOSPHOR BRONZE
PLATED NICKEL

ELECTRICAL CHARACTERISTICS:

FREQUENCY RANGE: DC TO 12 GHZ.
NOMINAL IMPEDANCE: 75Ω
RF RETURN LOSS:
CONNECTOR ONLY (MODEL BASED)

FREQUENCY	MIN RL
0-6 GHz	30 dB
6-12 GHz	20 dB

CONNECTOR WITH PCB LAUNCH
(MEASURED DATA WITH OPTIMIZED PCB
LAUNCH, FOR REFERENCE ONLY)

FREQUENCY	MIN RL
0-6 GHz	22 dB
6-12 GHz	16 dB

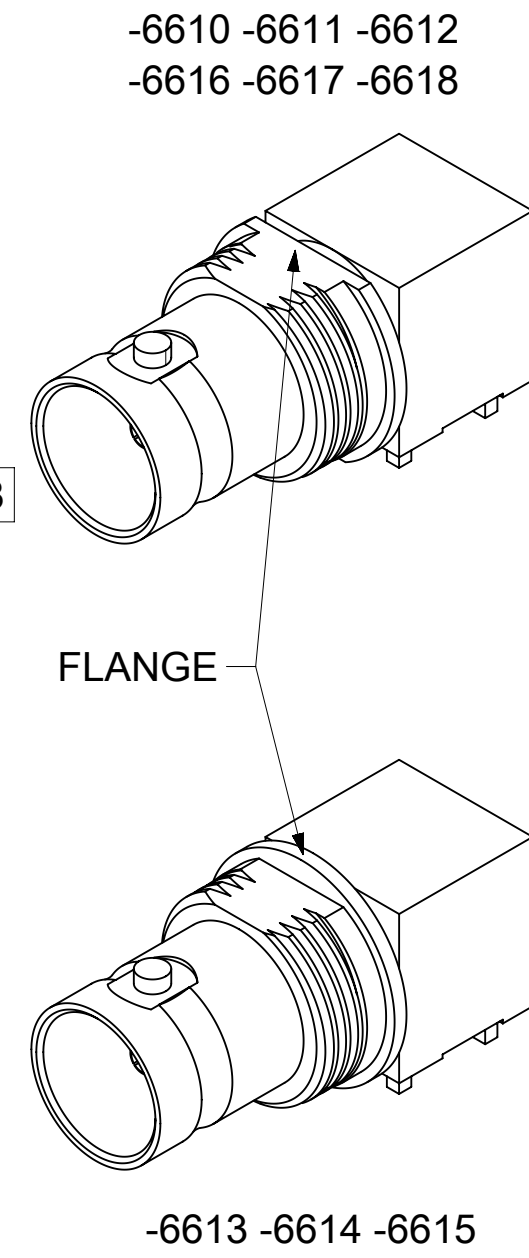
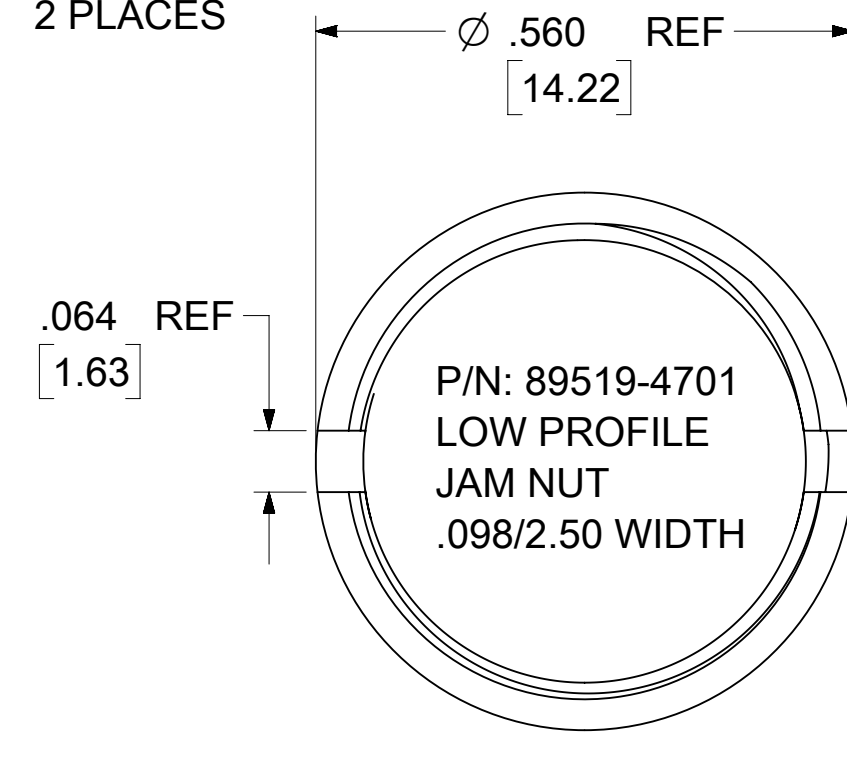
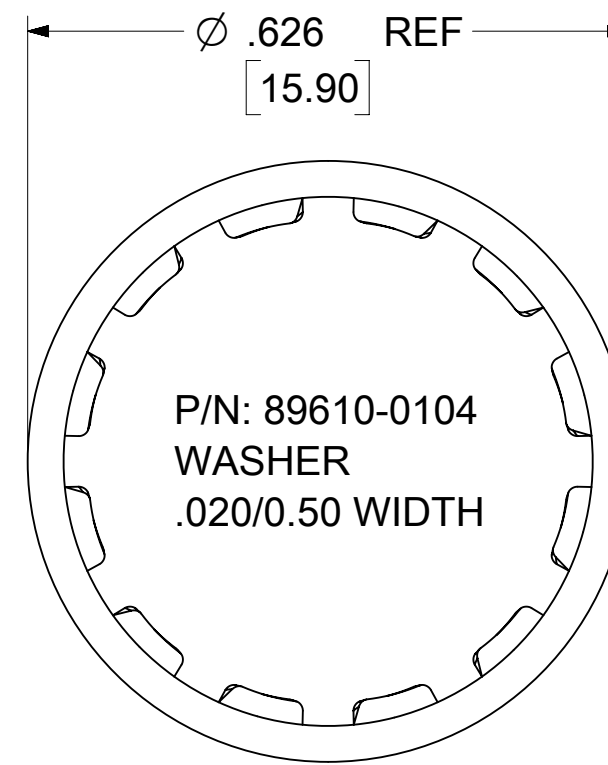
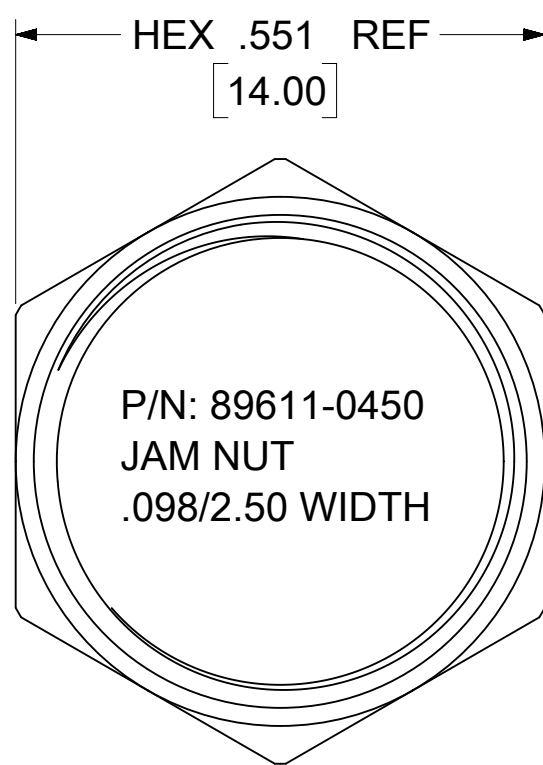
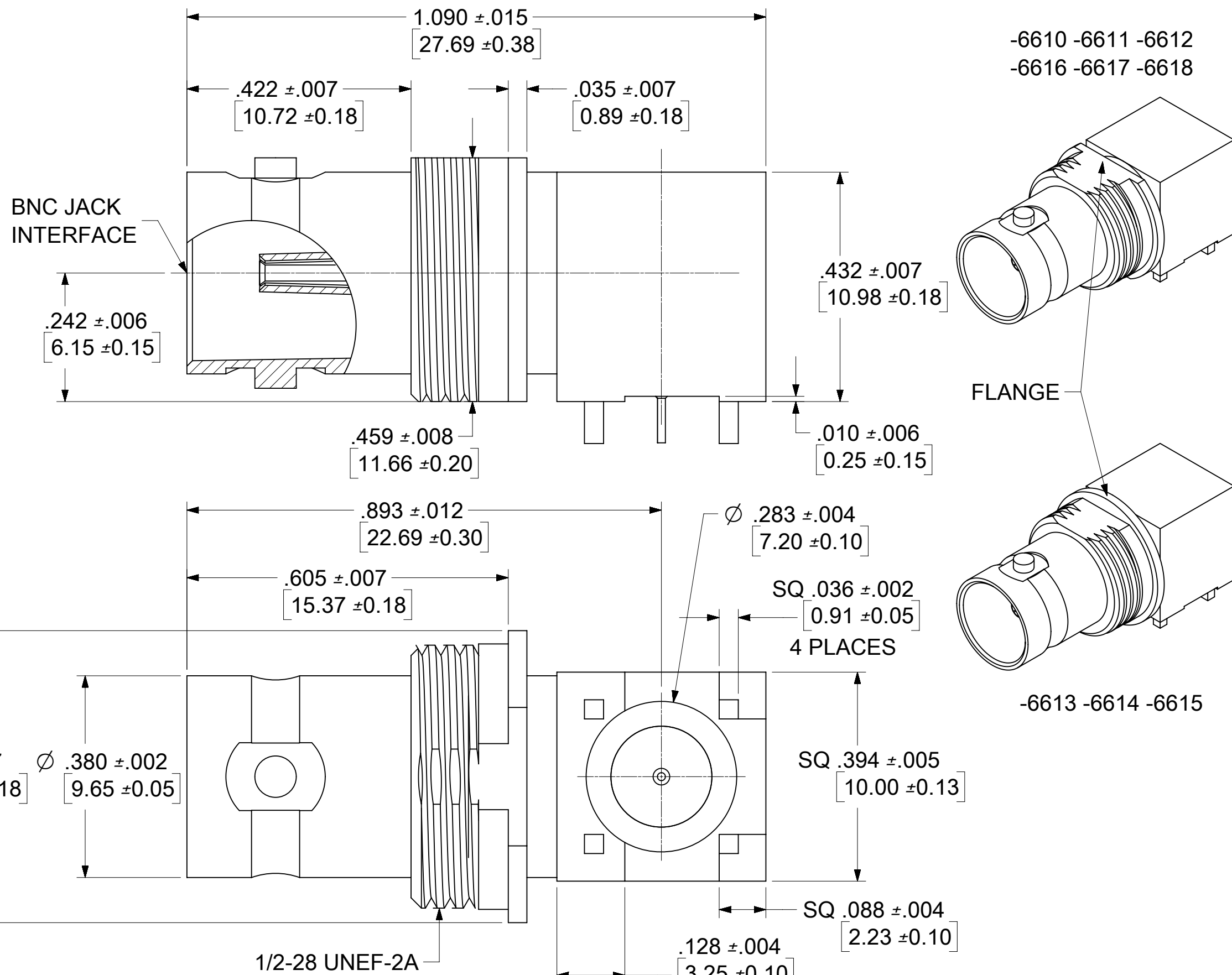
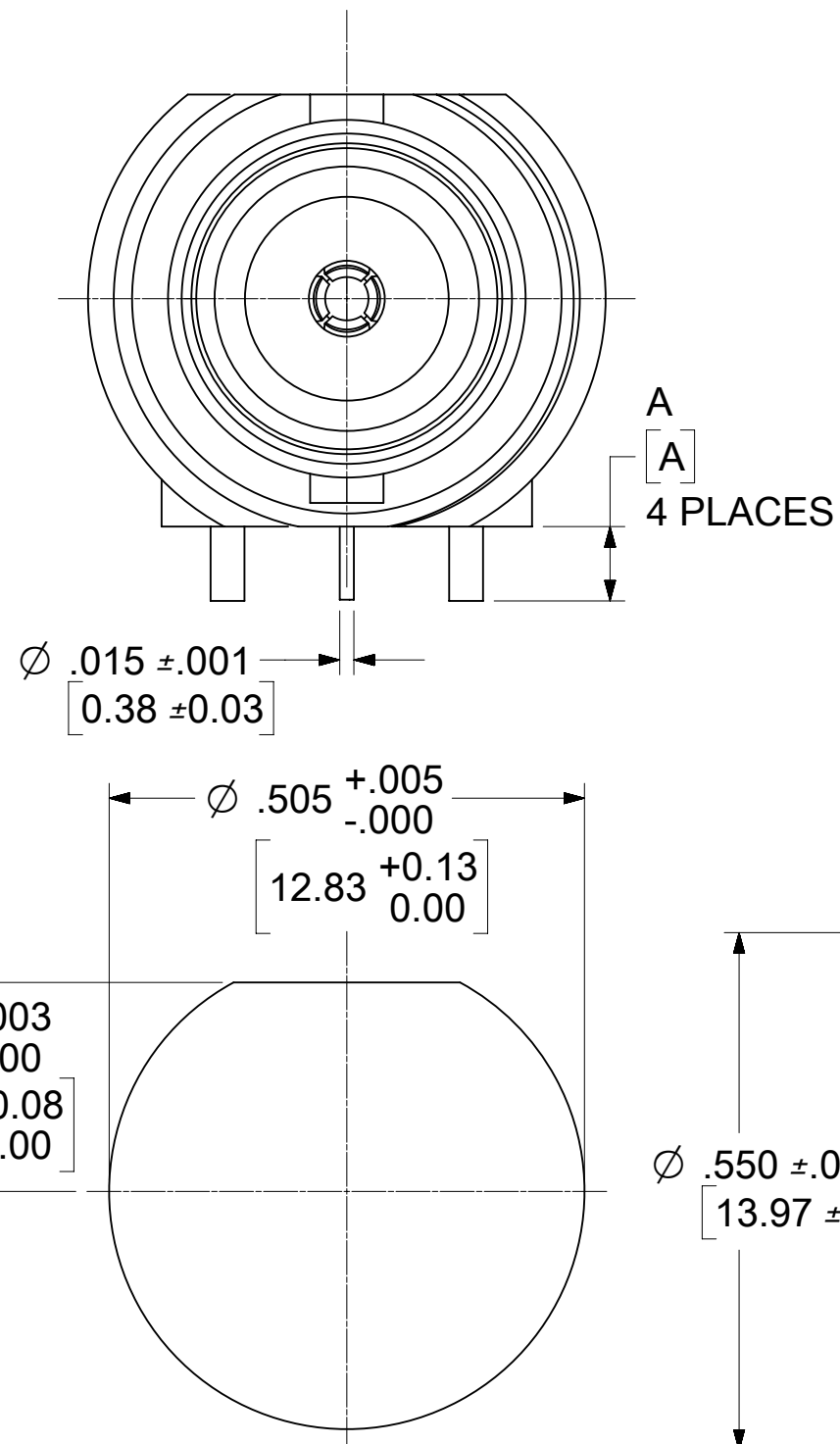
RF INSERTION LOSS: 0.5 dB MAX

73171-6618			NOT INCLUDE	NOT INCLUDE	TRAY
73171-6617	.083±.007	2.10±0.18	89519-4701	89610-0104	
73171-6616			89611-0450		
73171-6612			NOT INCLUDE	NOT INCLUDE	
73171-6611	.079±.007	2.01±0.18	89519-4701	89610-0104	
73171-6610			89611-0450		
PART NO.	IN	MM	JAM NUT	WASHER	PACKAGING
	DIM A (IN/MM)				

MIL-STD-348B, FIG. 330-1	INTERFACE
SPECIFICATION	DESCRIPTION

C3	2019/2/19	CORRECT TYPO IN JAM NUT (SHEET 2) CORRECT TYPO IN DIM A (SHEET 1)
REV	DATE	DESCRIPTION

DOCUMENT STATUS	P1	RELEASE DATE	2019/02/19	15:29:33
-----------------	----	--------------	------------	----------



THIS DRAWING CONTAINS INFORMATION THAT IS PROPRIETARY TO MOLEX ELECTRONIC TECHNOLOGIES, LLC AND SHOULD NOT BE USED WITHOUT WRITTEN PERMISSION

DIMENSION UNITS	SCALE	CURRENT REV DESC:
HYBRID	NTS	
GENERAL TOLERANCES (UNLESS SPECIFIED)		
ANGULAR TOL	± 2.0°	EC NO: 612284
4 PLACES	±	DRWN: RYEH 2019/02/18
3 PLACES	±	CHK'D: YCHENG 2019/02/19
2 PLACES	±	APPR: YCHENG 2019/02/19
1 PLACE	±	INITIAL REVISION:
0 PLACES	±	DRWN: RYEH 2015/01/28
		APPR: YCHENG 2015/02/06
DRAFT WHERE APPLICABLE MUST REMAIN WITHIN DIMENSIONS	THIRD ANGLE PROJECTION	DRAWING SERIES
		C-SIZE 73171

molex		
BNC JACK R/A PCB TH 75 OHMS DC-12GHZ BNC-J/PCB		
PRODUCT CUSTOMER DRAWING		
DOCUMENT NUMBER	DOC TYPE	DOC PART
SD-73171-661	PSD	001
MATERIAL NUMBER	CUSTOMER	SHEET NUMBER
SEE TABLE	GENERAL MARKET	1 OF 6

MATERIALS AND FINISH

BODY: BRASS
PLATED TIN

CENTER CONTACT: BERYLLIUM COPPER
PLATED GOLD

CONTACT: BRASS
PLATED GOLD

INSULATOR: TEFLON

JAM NUT: BRASS
PLATED NICKEL

WASHER: PHOSPHOR BRONZE
PLATED NICKEL

ELECTRICAL CHARACTERISTICS:

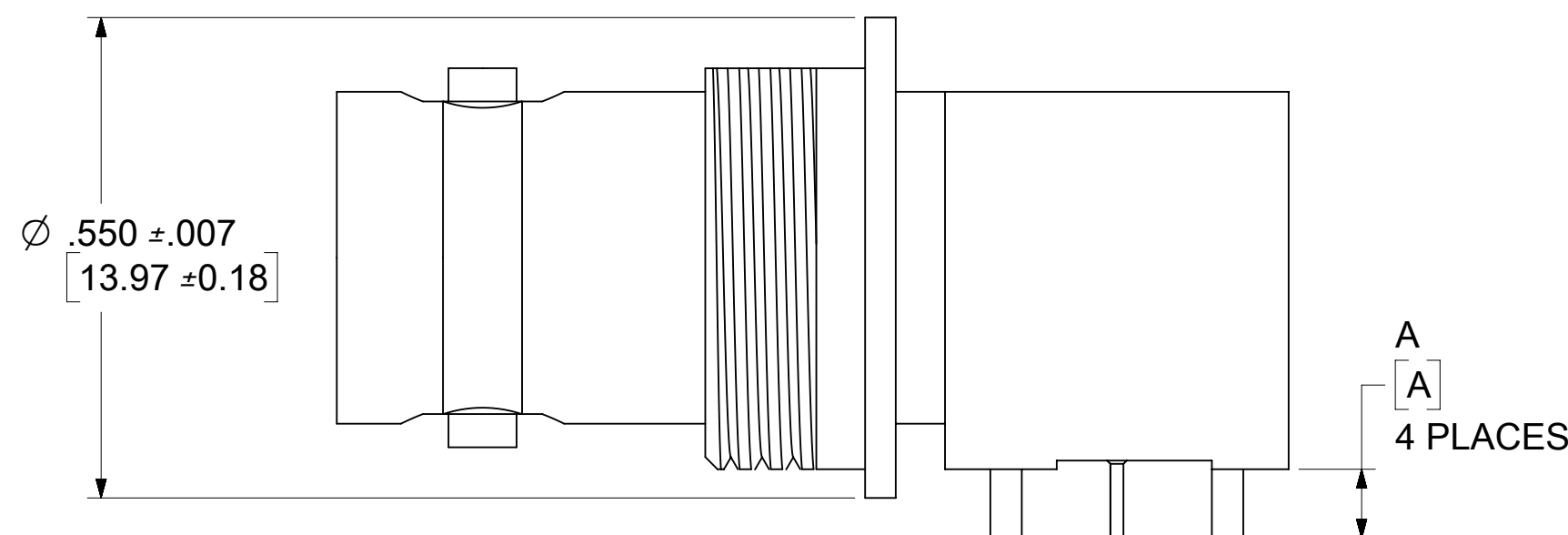
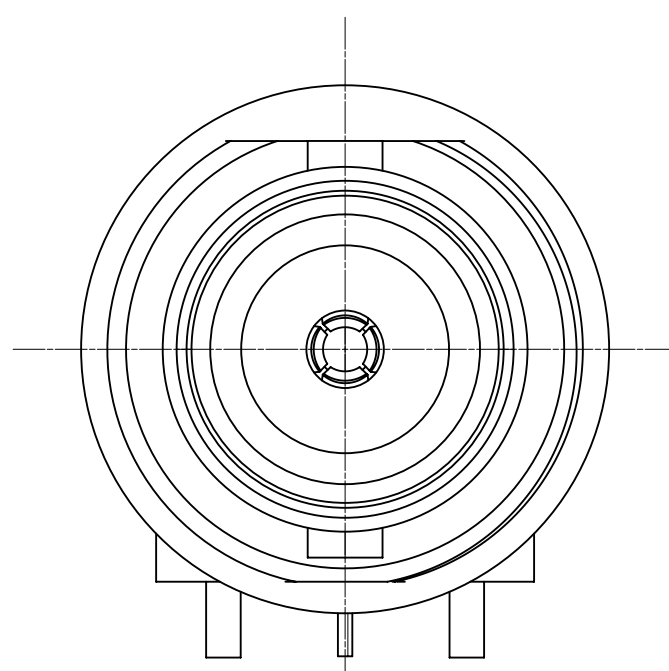
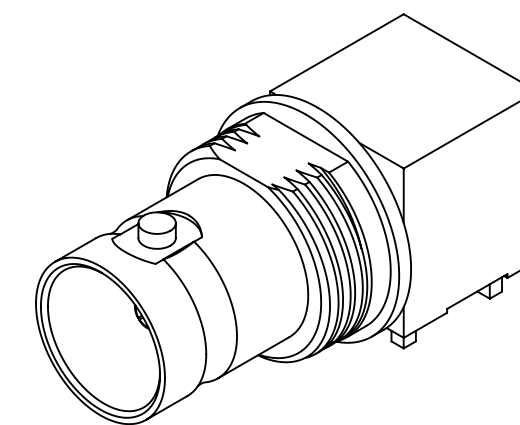
FREQUENCY RANGE: DC TO 12 GHZ.
NOMINAL IMPEDANCE: 75Ω
RF RETURN LOSS:
CONNECTOR ONLY (MODEL BASED)

FREQUENCY	MIN RL
0-6 GHz	30 dB
6-12 GHz	20 dB

CONNECTOR WITH PCB LAUNCH
(MEASURED DATA WITH OPTIMIZED PCB
LAUNCH, FOR REFERENCE ONLY)

FREQUENCY	MIN RL
0-6 GHz	22 dB
6-12 GHz	16 dB

RF INSERTION LOSS: 0.5 dB MAX

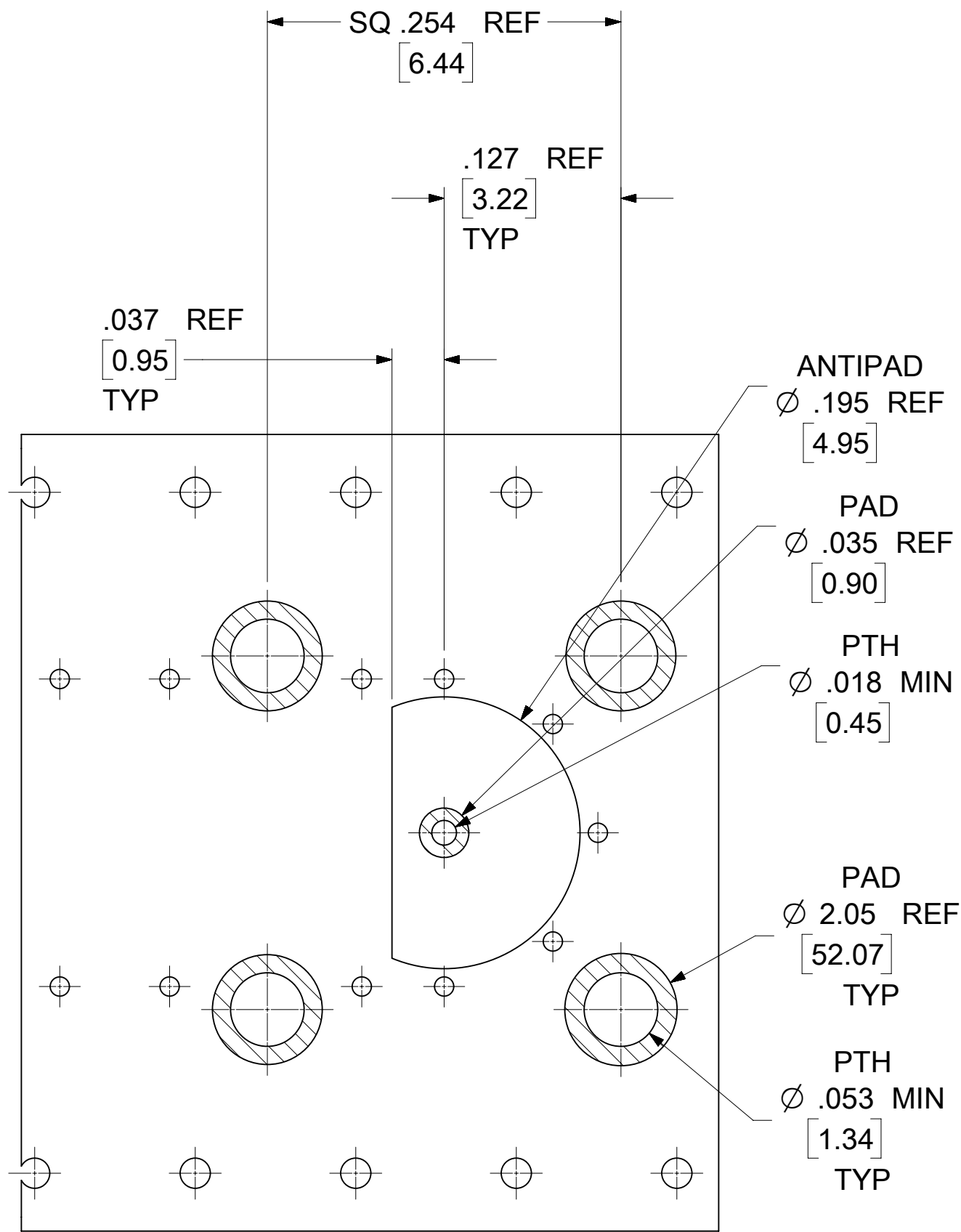


ALL DIMENSIONS AND HARDWARE OF 73171-6613 THRU -6615 ARE THE SAME
AS 73171-6610 THRU -6612 EXCEPT FLANGE

73171-6615			NOT INCLUDE	NOT INCLUDE	TRAY
73171-6614	.079±.007	2.01±0.18	89519-4701	89610-0104	
73171-6613			89611-0450		
PART NO.	IN	MM	JAM NUT	WASHER	PACKAGING
	DIM A				

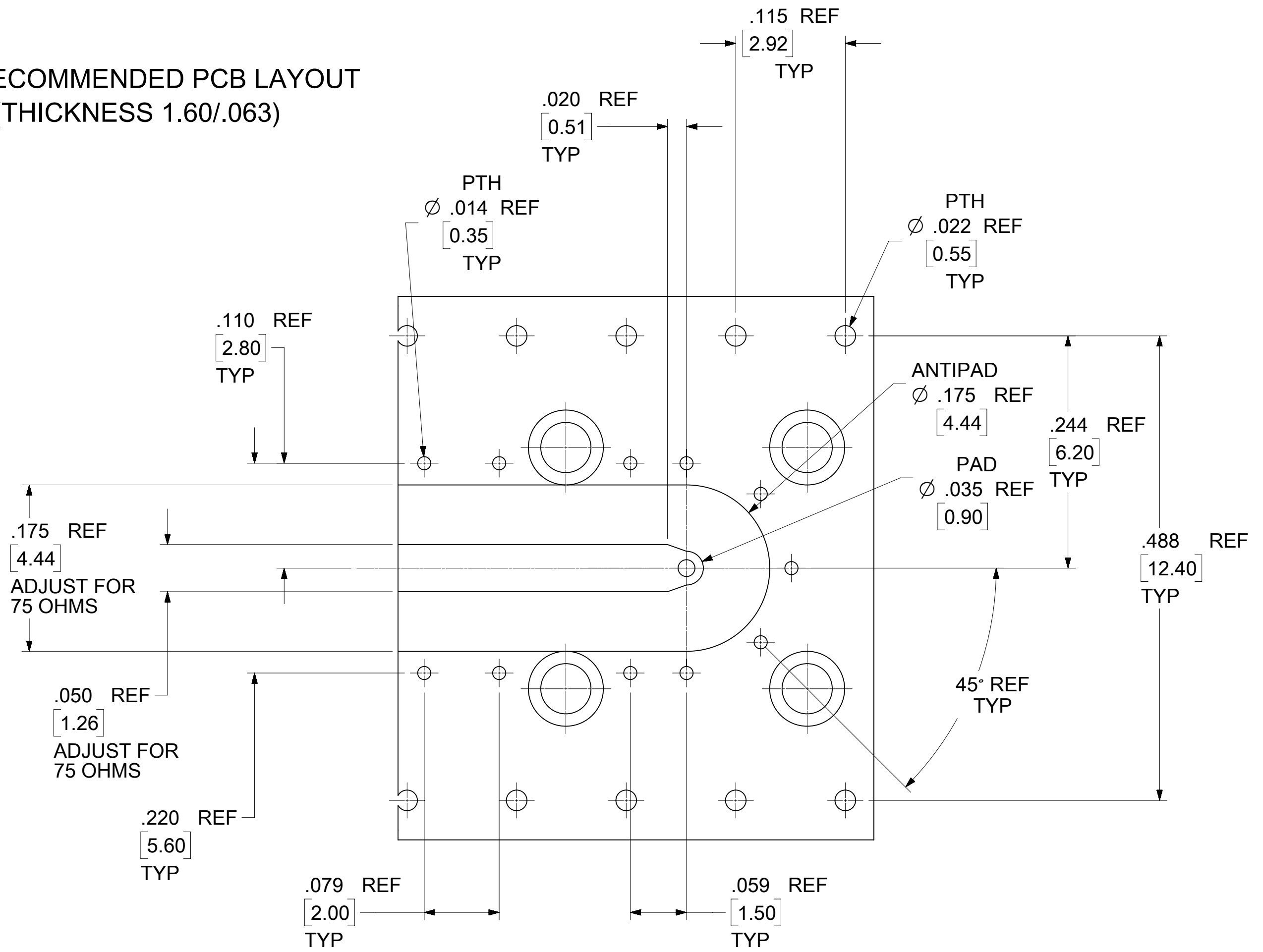
THIS DRAWING CONTAINS INFORMATION THAT IS PROPRIETARY TO MOLEX ELECTRONIC TECHNOLOGIES, LLC AND SHOULD NOT BE USED WITHOUT WRITTEN PERMISSION										
DIMENSION UNITS	SCALE	CURRENT REV DESC:				molex				
HYBRID	NTS	EC NO: 612284 DRWN: RYEH 2019/02/18 CHK'D: YCHENG 2019/02/19 APPR: YCHENG 2019/02/19 INITIAL REVISION: DRWN: RYEH 2015/01/28 APPR: YCHENG 2015/02/06				BNC JACK R/A PCB TH 75 OHMS DC-12GHZ BNC-J/PCB				
GENERAL TOLERANCES (UNLESS SPECIFIED)										PRODUCT CUSTOMER DRAWING
ANGULAR TOL	± 2.0°					DOCUMENT NUMBER		DOC TYPE	DOC PART	REVISION
4 PLACES	±					SD-73171-661		PSD	001	C3
3 PLACES	±	MATERIAL NUMBER		CUSTOMER		SHEET NUMBER				
2 PLACES	±	SEE TABLE		GENERAL MARKET		2 OF 6				
1 PLACE	±	DRAWING		SERIES						
0 PLACES	±	C-SIZE		73171						
DRAFT WHERE APPLICABLE MUST REMAIN WITHIN DIMENSIONS		THIRD ANGLE PROJECTION								

DOCUMENT STATUS	P1	RELEASE DATE	2019/02/19	15:29:33
-----------------	----	--------------	------------	----------



TOP VIEW

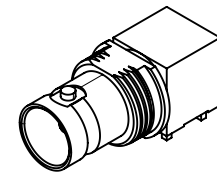
RECOMMENDED PCB LAYOUT
(THICKNESS 1.60/.063)



BOTTOM VIEW

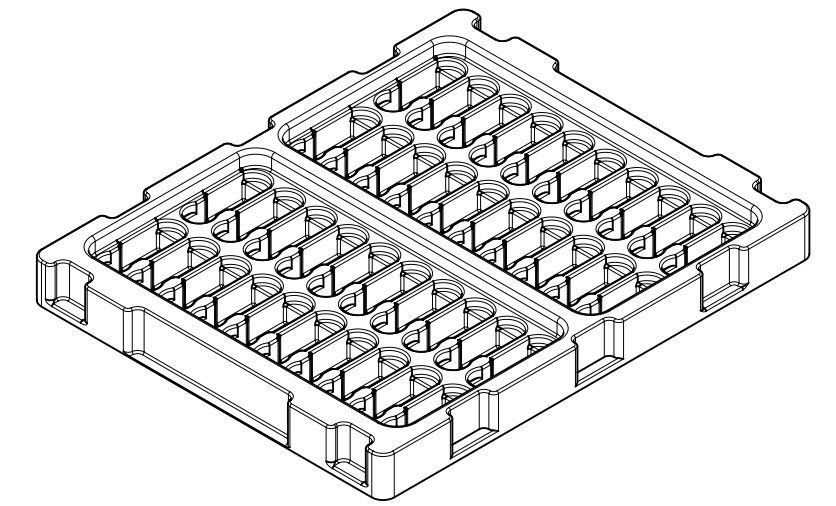
THIS DRAWING CONTAINS INFORMATION THAT IS PROPRIETARY TO MOLEX ELECTRONIC TECHNOLOGIES, LLC AND SHOULD NOT BE USED WITHOUT WRITTEN PERMISSION

DIMENSION UNITS		SCALE		CURRENT REV DESC:		molex			
HYBRID		NTS							
GENERAL TOLERANCES (UNLESS SPECIFIED)						EC NO: 612284 DRWN: RYEH 2019/02/18 CHK'D: YCHENG 2019/02/19 APPR: YCHENG 2019/02/19			
ANGULAR TOL ± 2.0°									
4 PLACES ±						PRODUCT CUSTOMER DRAWING DOCUMENT NUMBER: SD-73171-661 DOC TYPE: PSD DOC PART: 001 REVISION: C3			
3 PLACES ±									
2 PLACES ±						MATERIAL NUMBER: SEE TABLE CUSTOMER: GENERAL MARKET SHEET NUMBER: 3 OF 6			
1 PLACE ±									
0 PLACES ±									
DRAFT WHERE APPLICABLE MUST REMAIN WITHIN DIMENSIONS		THIRD ANGLE PROJECTION		DRAWING		SERIES			
				C-SIZE		73171			

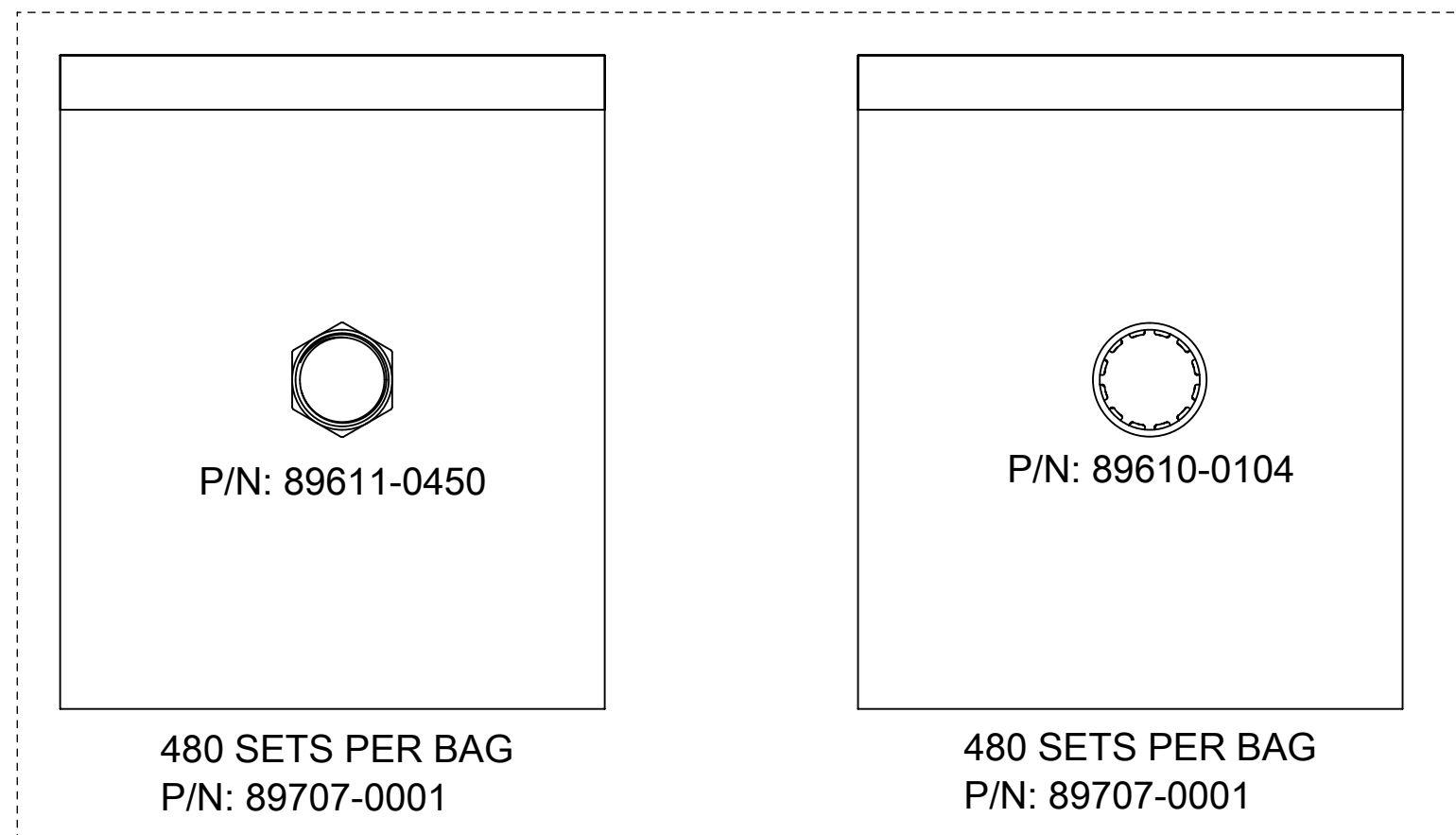


P/N: 73171-6610 -6611 -6612

73171-6612	NOT INCLUDE	NOT INCLUDE	TRAY
73171-6611	89519-4701	89610-0104	
73171-6610	89611-0450		PACKAGING
PART NO.	JAM NUT	WASHER	

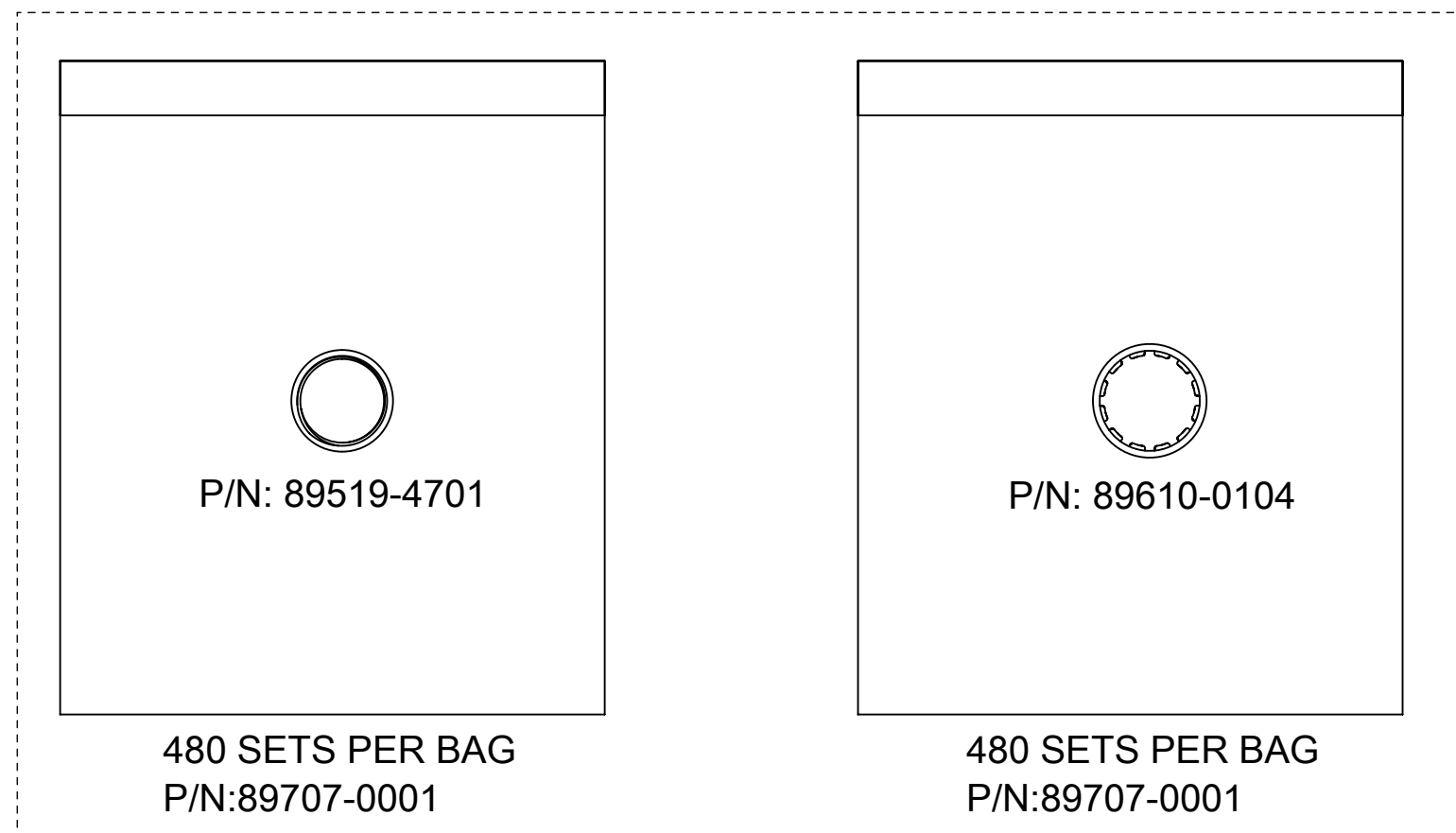


40 SETS PER TRAY
P/N: 89707-0169



480 SETS PER BAG
P/N: 89707-0001

480 SETS PER BAG
P/N: 89707-0001

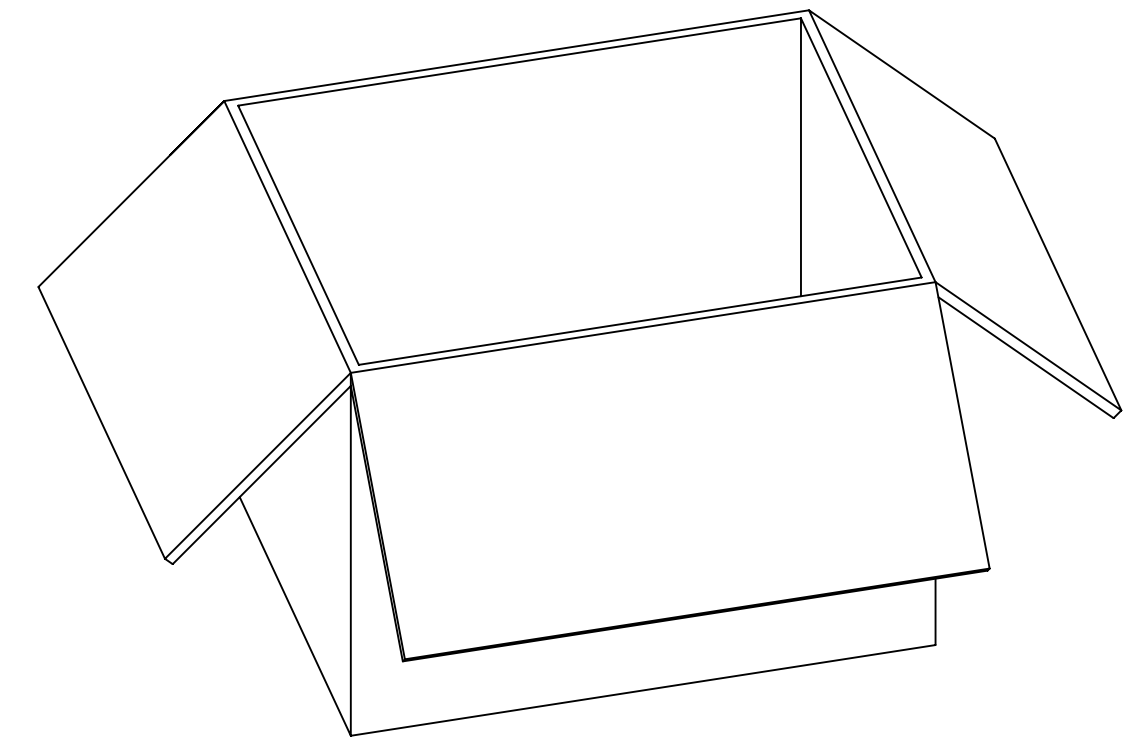


480 SETS PER BAG
P/N: 89707-0001

480 SETS PER BAG
P/N: 89707-0001

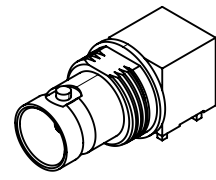
FOR 73171-6610

FOR 73171-6611

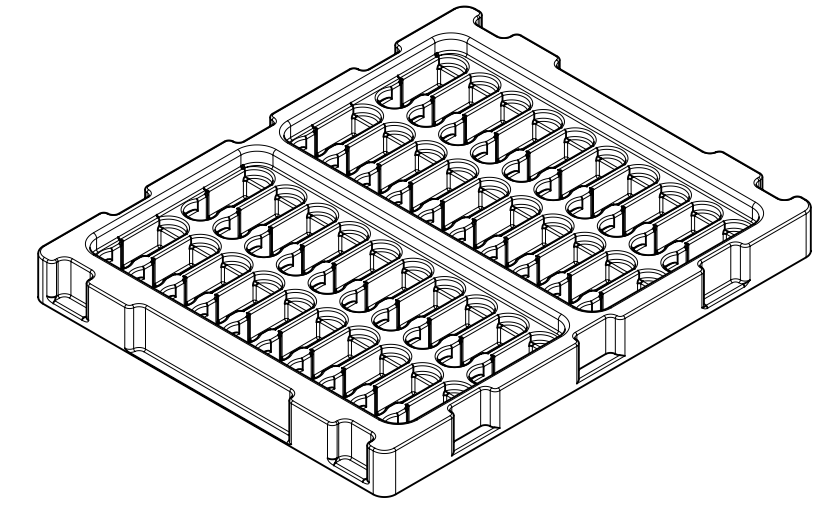
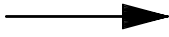


480 SETS PER OUTER
CARTON BOX
P/N: 89499-9027

THIS DRAWING CONTAINS INFORMATION THAT IS PROPRIETARY TO MOLEX ELECTRONIC TECHNOLOGIES, LLC AND SHOULD NOT BE USED WITHOUT WRITTEN PERMISSION									
DIMENSION UNITS		SCALE		CURRENT REV DESC:				molex	
HYBRID		NTS							
GENERAL TOLERANCES (UNLESS SPECIFIED)				EC NO: 612284		2019/02/18		BNC JACK R/A PCB TH	
ANGULAR TOL ± 2.0°				DRWN: RYEH		2019/02/19		75 OHMS DC-12GHZ BNC-J/PCB	
4 PLACES ±				CHK'D: YCHENG		2019/02/19		PRODUCT CUSTOMER DRAWING	
3 PLACES ±				APPR: YCHENG		2019/02/19		DOCUMENT NUMBER	
2 PLACES ±				INITIAL REVISION:				DOC TYPE	
1 PLACE ±				DRWN: RYEH		2015/01/28		DOC PART	
0 PLACES ±				APPR: YCHENG		2015/02/06		REVISION	
DRAFT WHERE APPLICABLE		THIRD ANGLE PROJECTION		DRAWING		SERIES		MATERIAL NUMBER	
MUST REMAIN WITHIN DIMENSIONS				C-SIZE		73171		CUSTOMER	
DOCUMENT STATUS		P1		RELEASE DATE		2019/02/19 15:29:33		SEE TABLE	
GENERAL MARKET		PSD		001		C3		SHEET NUMBER	
4 OF 6									

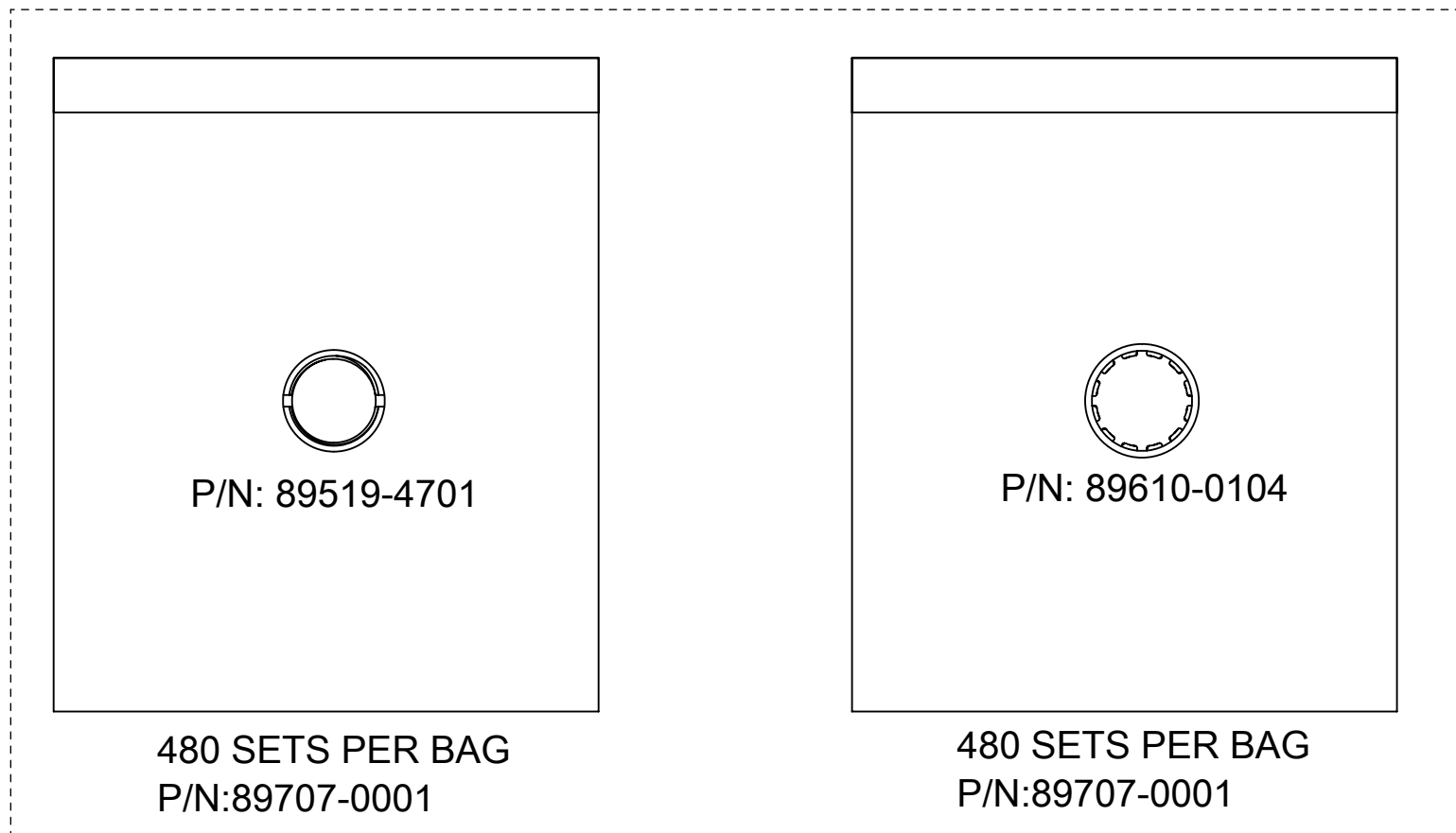
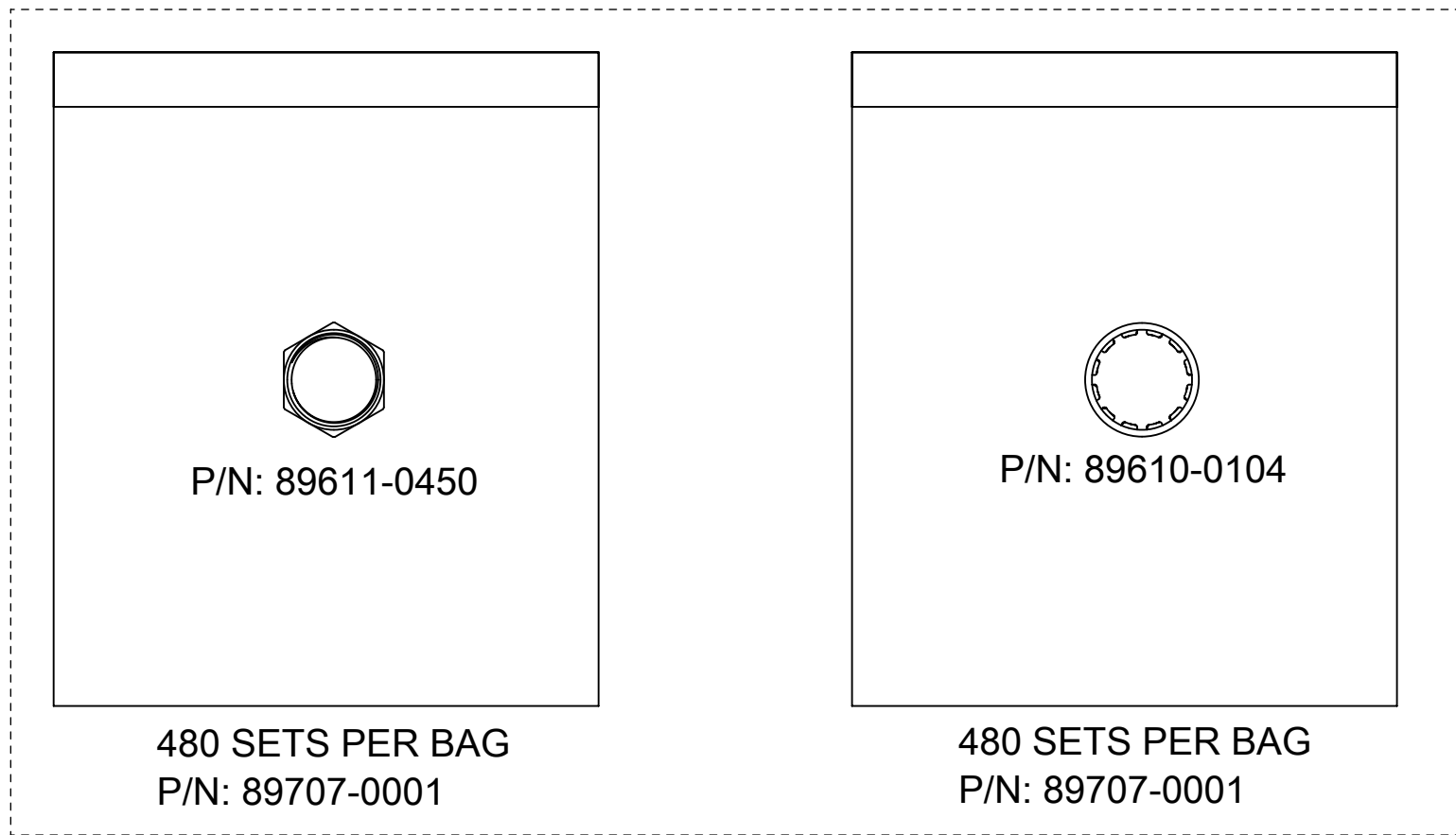


P/N: 73171-6613 -6614 -6615

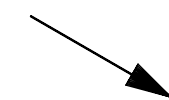


40 SETS PER TRAY
P/N: 89707-0169

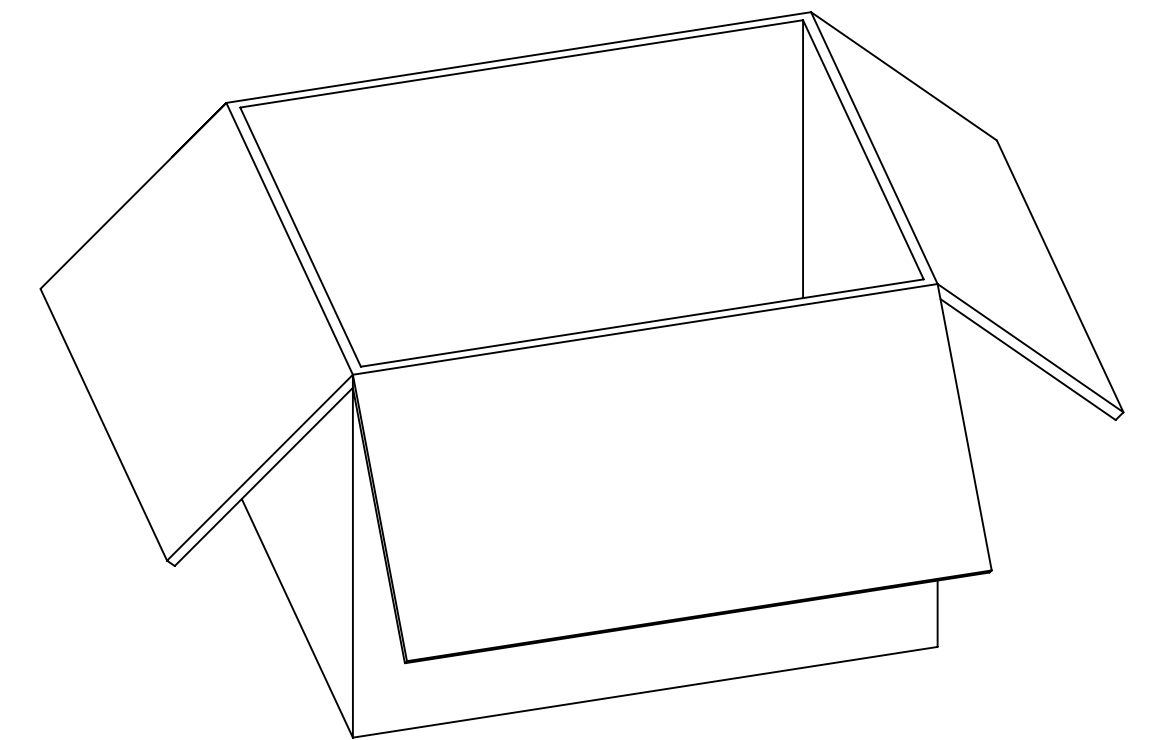
73171-6615	NOT INCLUDE	NOT INCLUDE	
73171-6614	89519-4701	89610-0104	TRAY
73171-6613	89611-0450		
PART NO.	JAM NUT	WASHER	PACKAGING



FOR 73171-6613

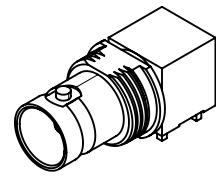


FOR 73171-6614



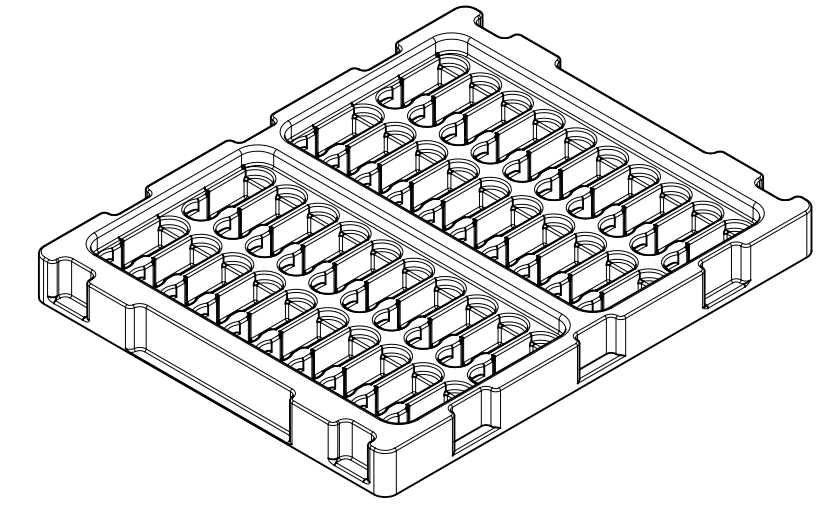
480 SETS PER OUTER
CARTON BOX
P/N: 89499-9027

THIS DRAWING CONTAINS INFORMATION THAT IS PROPRIETARY TO MOLEX ELECTRONIC TECHNOLOGIES, LLC AND SHOULD NOT BE USED WITHOUT WRITTEN PERMISSION									
DIMENSION UNITS		SCALE		CURRENT REV DESC:				molex	
HYBRID		NTS							
GENERAL TOLERANCES (UNLESS SPECIFIED)				EC NO: 612284				BNC JACK R/A PCB TH 75 OHMS DC-12GHZ BNC-J/PCB	
ANGULAR TOL ± 2.0°				DRWN: RYEH 2019/02/18					
4 PLACES ±				CHK'D: YCHENG 2019/02/19				PRODUCT CUSTOMER DRAWING	
3 PLACES ±				APPR: YCHENG 2019/02/19					
2 PLACES ±				INITIAL REVISION:				DOCUMENT NUMBER	
1 PLACE ±				DRWN: RYEH 2015/01/28					
0 PLACES ±				APPR: YCHENG 2015/02/06				SD-73171-661	
DRAFT WHERE APPLICABLE MUST REMAIN WITHIN DIMENSIONS		THIRD ANGLE PROJECTION		DRAWING		SERIES		MATERIAL NUMBER	
				C-SIZE		73171		SEE TABLE	
DOCUMENT STATUS		RELEASE DATE		CUSTOMER		SHEET NUMBER		DOC TYPE DOC PART REVISION	
P1		2019/02/19 15:29:33		GENERAL MARKET		6 OF 6		PSD 001 C3	

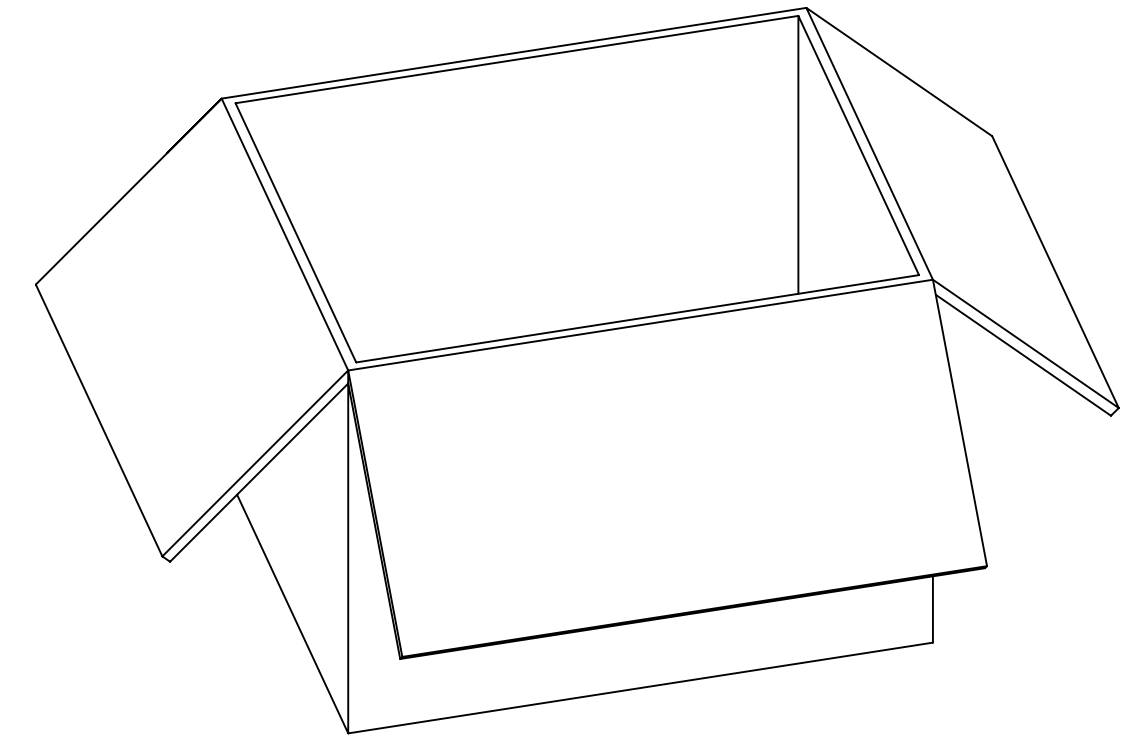
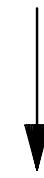
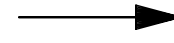


P/N: 73171-6616 -6617 -6618

73171-6618	NOT INCLUDE	NOT INCLUDE	TRAY
73171-6617	89519-4701	89610-0104	
73171-6616	89611-0450		
PART NO.	JAM NUT	WASHER	PACKAGING



40 SETS PER TRAY
P/N: 89707-0169

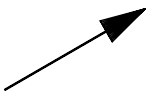



480 SETS PER OUTER
CARTON BOX
P/N: 89499-9027

FOR 73171-6616



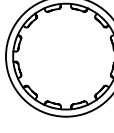
FOR 73171-6617





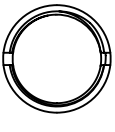
P/N: 89611-0450

480 SETS PER BAG
P/N: 89707-0001



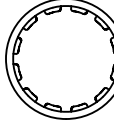
P/N: 89610-0104

480 SETS PER BAG
P/N: 89707-0001



P/N: 89519-4701

480 SETS PER BAG
P/N: 89707-0001



P/N: 89610-0104

480 SETS PER BAG
P/N: 89707-0001

THIS DRAWING CONTAINS INFORMATION THAT IS PROPRIETARY TO MOLEX ELECTRONIC TECHNOLOGIES, LLC AND SHOULD NOT BE USED WITHOUT WRITTEN PERMISSION

DIMENSION UNITS		SCALE		CURRENT REV DESC:		molex			
HYBRID		NTS							
GENERAL TOLERANCES (UNLESS SPECIFIED)				EC NO: 612284		BNC JACK R/A PCB TH 75 OHMS DC-12GHZ BNC-J/PCB			
ANGULAR TOL ± 2.0°				DRWN: RYEH 2019/02/18					
4 PLACES ±				CHK'D: YCHENG 2019/02/19		PRODUCT CUSTOMER DRAWING			
3 PLACES ±				APPR: YCHENG 2019/02/19					
2 PLACES ±				INITIAL REVISION:		DOCUMENT NUMBER			
1 PLACE ±				DRWN: RYEH 2015/01/28					
0 PLACES ±				APPR: YCHENG 2015/02/06		DOC TYPE			
DRAFT WHERE APPLICABLE MUST REMAIN WITHIN DIMENSIONS		THIRD ANGLE PROJECTION		DRAWING					
		C-SIZE		73171		CUSTOMER		GENERAL MARKET	
						MATERIAL NUMBER		SEE TABLE	
						CUSTOMER		GENERAL MARKET	
						DOC PART		001	
						REVISION		C3	
						SHEET NUMBER		5 OF 6	

DOCUMENT STATUS	P1	RELEASE DATE	2019/02/19	15:29:33
-----------------	----	--------------	------------	----------