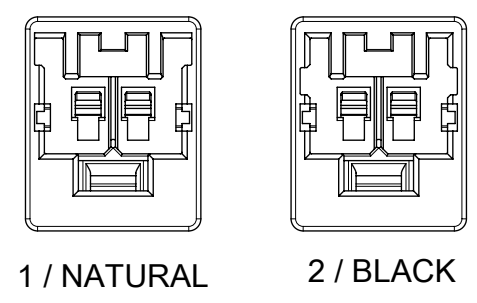
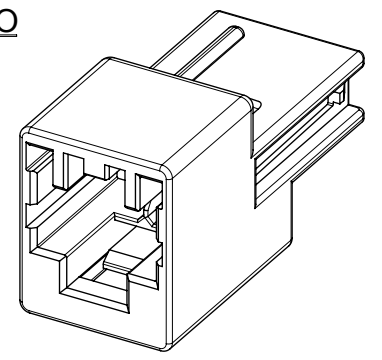


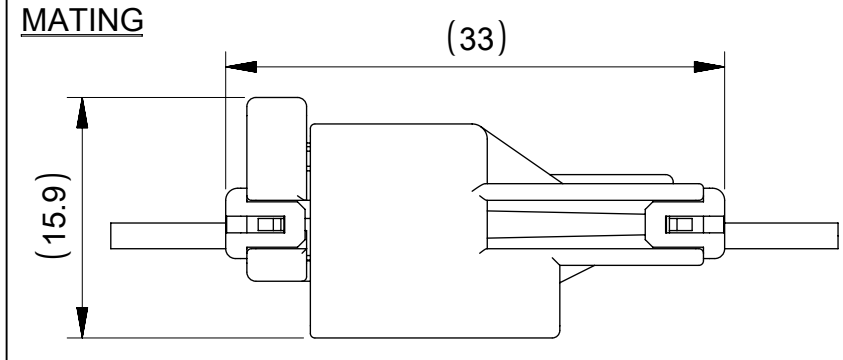
**KEY / COLOR**



**ISO**

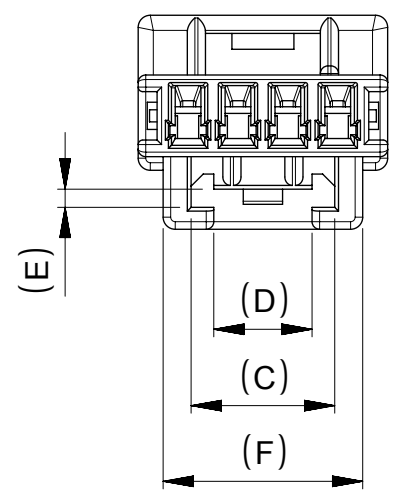
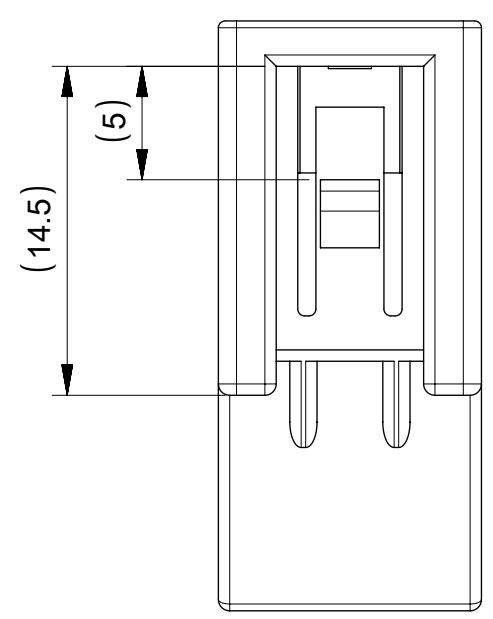
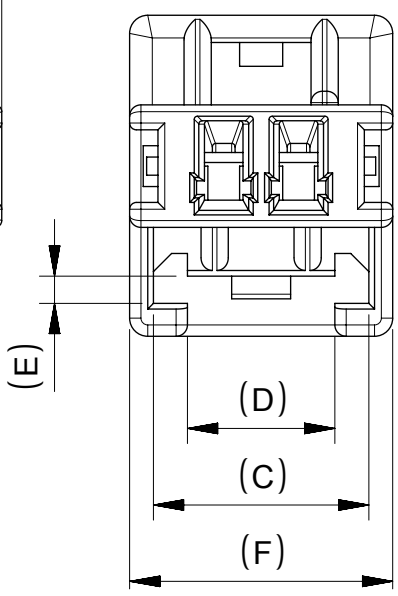
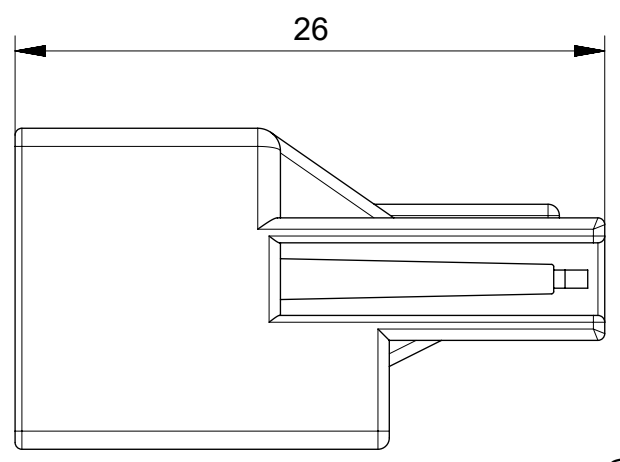
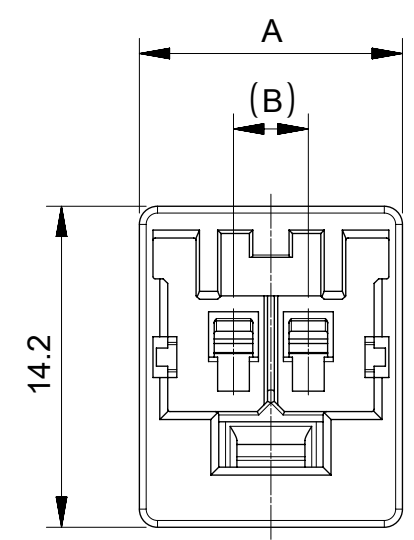
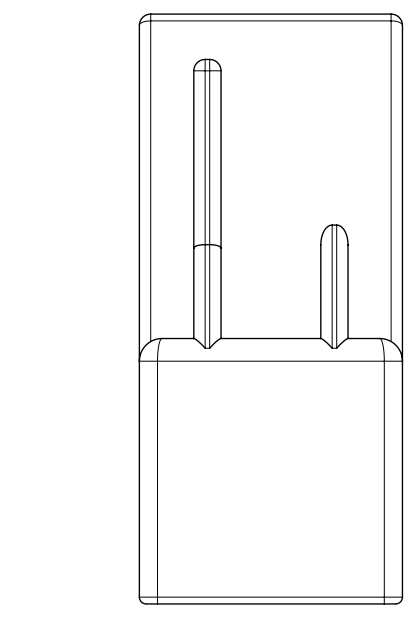


**MATING**



**NOTES**

- 適合ターミナル : 2011165000  
APPLICABLE TERMINAL : 2011165000
- 適合リテーナー : 2011172\*\*0  
APPLICABLE RETAINER : 2011172\*\*0
- 嵌合相手 : 2011152\*\*\*  
MATE WITH : 2011152\*\*\*
- 材料 : PBT(UL94V-0)  
MATERIAL : PBT(UL94V-0)
- 製品番号  
ORDER NO.  
**2011162\*\*\***  
CKT. KEY
- 製品仕様書 : 2011150000-PS  
PRODUCT SPECIFICATION : 2011150000-PS
- コネクタ取扱説明書 : 2011150000-AS  
APPLICATION SPECIFICATION : 2011150000-AS



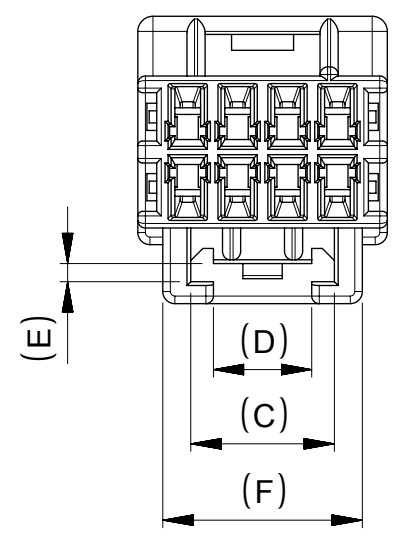
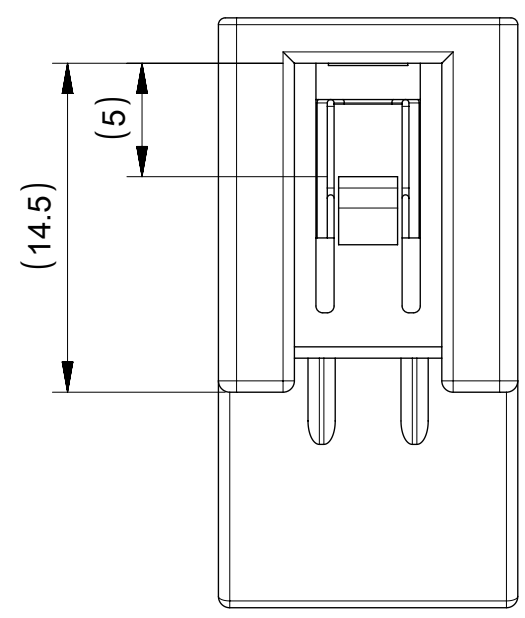
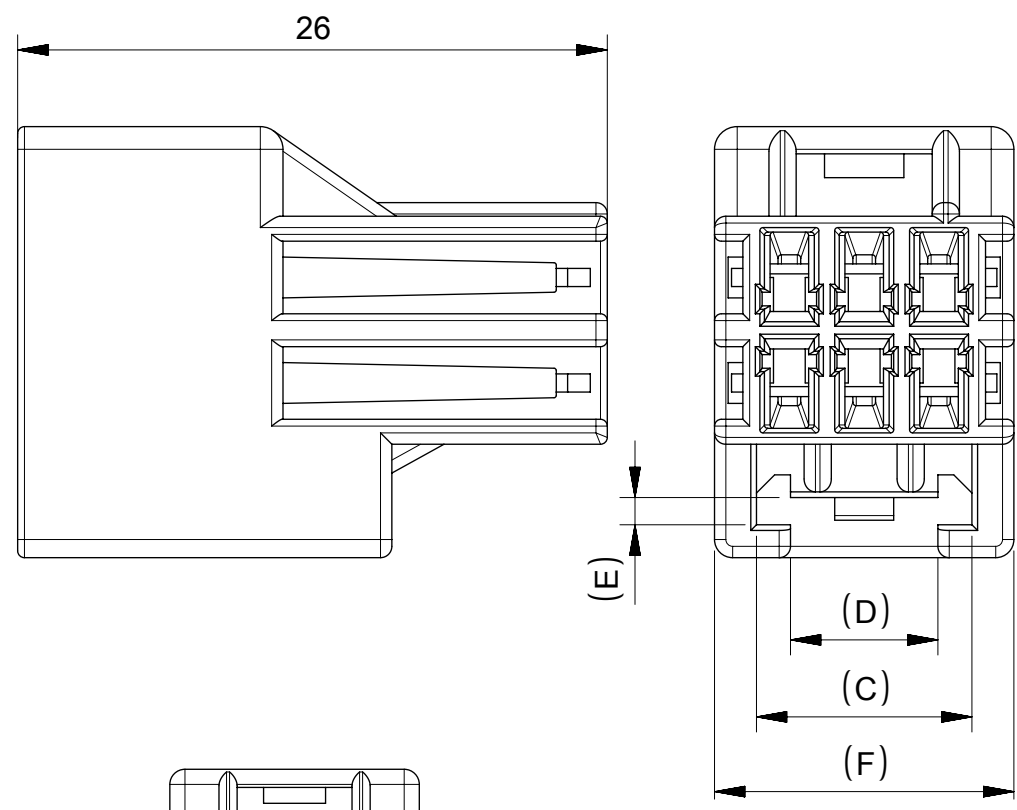
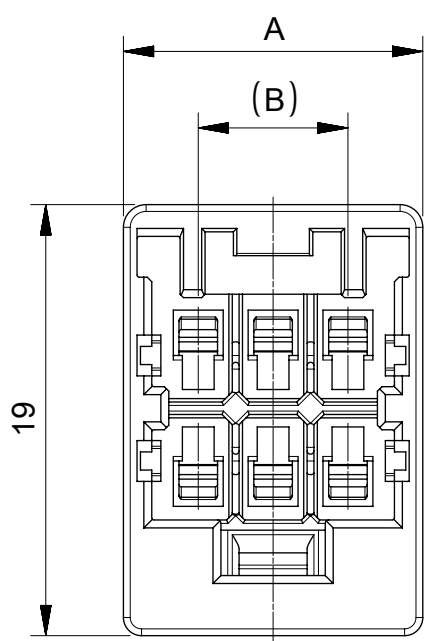
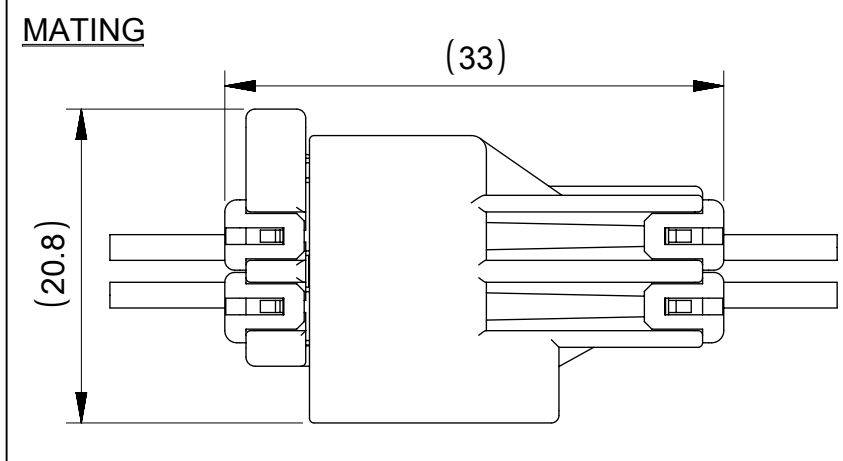
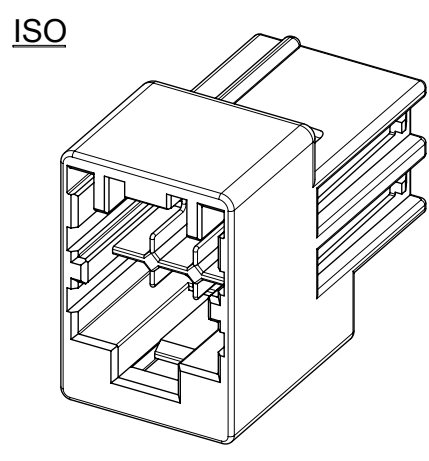
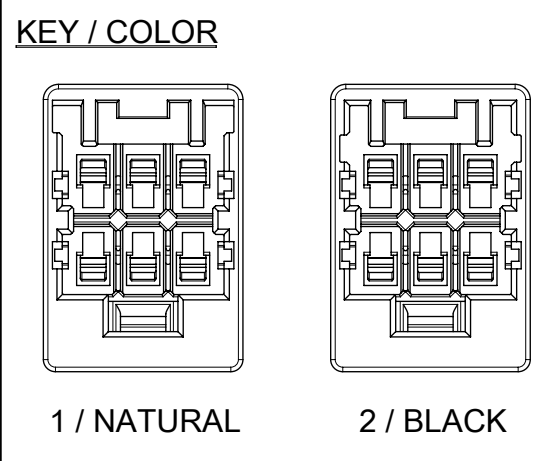
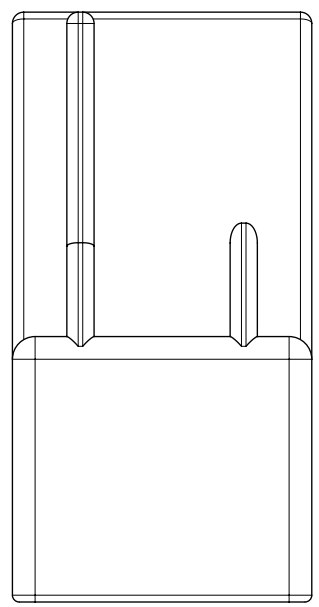
SLOT SHAPE OF 4CKT

13.2	1.2	6.5	9.5	9.9	16.5	2011152042	2011172040	BLACK	2	2011162042	4
						2011152041		NATURAL	1	2011162041	
11.6	1.2	6.5	9.5	6.6	13.2	2011152032	2011172030	BLACK	2	2011162032	3
						2011152031		NATURAL	1	2011162031	
11.6	1.2	6.5	9.5	3.3	11.6	2011152022	2011172020	BLACK	2	2011162022	2
						2011152021		NATURAL	1	2011162021	
F	E	D	C	B	A	MATE WITH	RETAINER	COLOR	KEY	ORDER NO.	CKT.

THIS DRAWING CONTAINS INFORMATION THAT IS PROPRIETARY TO MOLEX ELECTRONIC TECHNOLOGIES, LLC AND SHOULD NOT BE USED WITHOUT WRITTEN PERMISSION

EC NO: 611625 DRWN: KNAGUMO CHK'D: HIJIMA APPR: TOSADA	2018/11/15 2019/02/06 2019/02/07	GENERAL TOLERANCES (UNLESS SPECIFIED) ANGULAR TOL ± 3.0 ° 4 PLACES ± 0.03 3 PLACES ± 0.05 2 PLACES ± 0.1 1 PLACE ± 0.2 0 PLACES ± 0.2	DIMENSION UNITS: mm SCALE: NTS DRWN BY: JEBISAWA DATE: 2017/09/27 CHK'D BY: HIJIMA DATE: 2018/01/11 APPR BY: TOSADA DATE: 2018/01/12			
	DRAFT WHERE APPLICABLE MUST REMAIN WITHIN DIMENSIONS	DRAWING SIZE: A3 THIRD ANGLE PROJECTION	3.3 W/W CONN. PLUG HOUSING			
	PRODUCT CUSTOMER DRAWING			SERIES: 201116 MATERIAL NUMBER: SEE CHART CUSTOMER: GENERAL		
	DOCUMENT NUMBER: 2011162000-SD			DOC TYPE: PSD DOC PART: 000 SHEET NUMBER: 1 OF 2		

9 8 7 6 5 4 3 2 1



SLOT SHAPE OF 8-14CKT

14.2	1.3	7.1	12.1	19.8	26.4	2011152142	2011172070	BLACK	2	2011162142	14
				16.5	23.1	2011152141		NATURAL	1	2011162141	
13.2	1.2	6.5	9.5	13.2	19.8	2011152102	2011172050	BLACK	2	2011162102	10
				9.9	16.5	2011152101		NATURAL	1	2011162101	
				6.6	13.2	2011152082	2011172040	BLACK	2	2011162082	8
						2011152081		NATURAL	1	2011162081	
6.6	13.2	2011152062	2011172030	BLACK	2	2011162062	6				
		2011152061		NATURAL	1	2011162061					
<b>F</b>	<b>E</b>	<b>D</b>	<b>C</b>	<b>B</b>	<b>A</b>	<b>MATE WITH</b>	<b>RETAINER</b>	<b>COLOR</b>	<b>KEY</b>	<b>ORDER NO.</b>	<b>CKT.</b>

THIS DRAWING CONTAINS INFORMATION THAT IS PROPRIETARY TO MOLEX ELECTRONIC TECHNOLOGIES, LLC AND SHOULD NOT BE USED WITHOUT WRITTEN PERMISSION

EC NO: 611625 DRWN: KNAGUMO CHK'D: HIJIMA APPR: TOSADA	2018/11/15 2019/02/06 2019/02/07	GENERAL TOLERANCES (UNLESS SPECIFIED) ANGULAR TOL ± 3.0 ° 4 PLACES ± 0.03 3 PLACES ± 0.05 2 PLACES ± 0.1 1 PLACE ± 0.2 0 PLACES ± 0.2	DIMENSION UNITS: mm SCALE: NTS DRWN BY: JEBISAWA DATE: 2017/09/27 CHK'D BY: HIJIMA DATE: 2018/01/11 APPR BY: TOSADA DATE: 2018/01/12	DRAFT WHERE APPLICABLE MUST REMAIN WITHIN DIMENSIONS DRAWING SIZE: A3 THIRD ANGLE PROJECTION	
	RELEASED	EC NO: 611625 DRWN: KNAGUMO CHK'D: HIJIMA APPR: TOSADA	GENERAL TOLERANCES (UNLESS SPECIFIED) ANGULAR TOL ± 3.0 ° 4 PLACES ± 0.03 3 PLACES ± 0.05 2 PLACES ± 0.1 1 PLACE ± 0.2 0 PLACES ± 0.2	DIMENSION UNITS: mm SCALE: NTS DRWN BY: JEBISAWA DATE: 2017/09/27 CHK'D BY: HIJIMA DATE: 2018/01/11 APPR BY: TOSADA DATE: 2018/01/12	DRAFT WHERE APPLICABLE MUST REMAIN WITHIN DIMENSIONS DRAWING SIZE: A3 THIRD ANGLE PROJECTION
	EC NO: 611625 DRWN: KNAGUMO CHK'D: HIJIMA APPR: TOSADA	GENERAL TOLERANCES (UNLESS SPECIFIED) ANGULAR TOL ± 3.0 ° 4 PLACES ± 0.03 3 PLACES ± 0.05 2 PLACES ± 0.1 1 PLACE ± 0.2 0 PLACES ± 0.2	DIMENSION UNITS: mm SCALE: NTS DRWN BY: JEBISAWA DATE: 2017/09/27 CHK'D BY: HIJIMA DATE: 2018/01/11 APPR BY: TOSADA DATE: 2018/01/12	DRAFT WHERE APPLICABLE MUST REMAIN WITHIN DIMENSIONS DRAWING SIZE: A3 THIRD ANGLE PROJECTION	DIMENSION UNITS: mm SCALE: NTS DRWN BY: JEBISAWA DATE: 2017/09/27 CHK'D BY: HIJIMA DATE: 2018/01/11 APPR BY: TOSADA DATE: 2018/01/12
	EC NO: 611625 DRWN: KNAGUMO CHK'D: HIJIMA APPR: TOSADA	GENERAL TOLERANCES (UNLESS SPECIFIED) ANGULAR TOL ± 3.0 ° 4 PLACES ± 0.03 3 PLACES ± 0.05 2 PLACES ± 0.1 1 PLACE ± 0.2 0 PLACES ± 0.2	DIMENSION UNITS: mm SCALE: NTS DRWN BY: JEBISAWA DATE: 2017/09/27 CHK'D BY: HIJIMA DATE: 2018/01/11 APPR BY: TOSADA DATE: 2018/01/12	DRAFT WHERE APPLICABLE MUST REMAIN WITHIN DIMENSIONS DRAWING SIZE: A3 THIRD ANGLE PROJECTION	DIMENSION UNITS: mm SCALE: NTS DRWN BY: JEBISAWA DATE: 2017/09/27 CHK'D BY: HIJIMA DATE: 2018/01/11 APPR BY: TOSADA DATE: 2018/01/12
	EC NO: 611625 DRWN: KNAGUMO CHK'D: HIJIMA APPR: TOSADA	GENERAL TOLERANCES (UNLESS SPECIFIED) ANGULAR TOL ± 3.0 ° 4 PLACES ± 0.03 3 PLACES ± 0.05 2 PLACES ± 0.1 1 PLACE ± 0.2 0 PLACES ± 0.2	DIMENSION UNITS: mm SCALE: NTS DRWN BY: JEBISAWA DATE: 2017/09/27 CHK'D BY: HIJIMA DATE: 2018/01/11 APPR BY: TOSADA DATE: 2018/01/12	DRAFT WHERE APPLICABLE MUST REMAIN WITHIN DIMENSIONS DRAWING SIZE: A3 THIRD ANGLE PROJECTION	DIMENSION UNITS: mm SCALE: NTS DRWN BY: JEBISAWA DATE: 2017/09/27 CHK'D BY: HIJIMA DATE: 2018/01/11 APPR BY: TOSADA DATE: 2018/01/12

**molex®**

3.3 W/W CONN. PLUG HOUSING

PRODUCT CUSTOMER DRAWING

SERIES	MATERIAL NUMBER	CUSTOMER
201116	SEE CHART	GENERAL
DOCUMENT NUMBER	DOC TYPE	DOC PART
2011162000-SD	PSD	000
SHEET NUMBER		2 OF 2

9 8 7 6 5 4 3 2 1