

## CRYSTAL, CRYSTAL OSCILLATOR TEST & BURN IN SOCKET SC2000 - Test socket for 7.0 x 5.0 mm

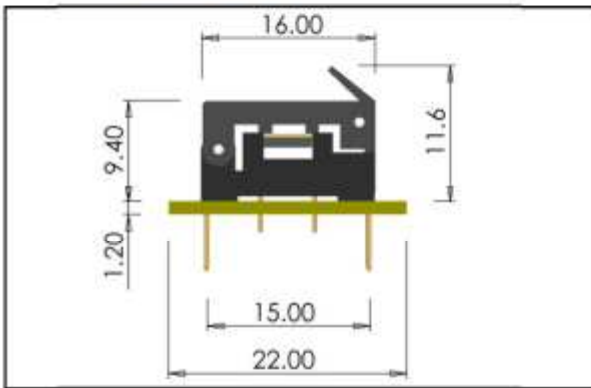
### FEATURE

- 4 pad crystal and oscillator packages
- Accurate and reliable testing of frequency control devices
- Contact force ideal for avoiding measurement error
- Highest quality socket available
- Clam shell design for easy open and close
- Operation Temperature: -40 ~ +125°C

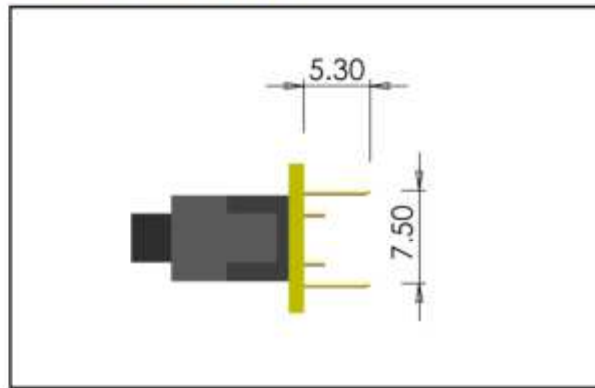
### TYPICAL APPLICATION

- Design stage component engineering evaluation
- Supplier comparison tests
- Samples Test
- High temperature burn-in

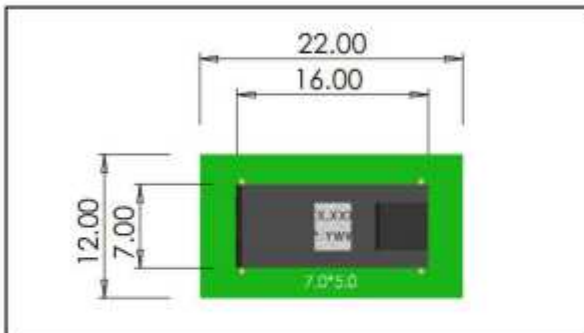
### DIMENSION (mm) SIDE VIEW



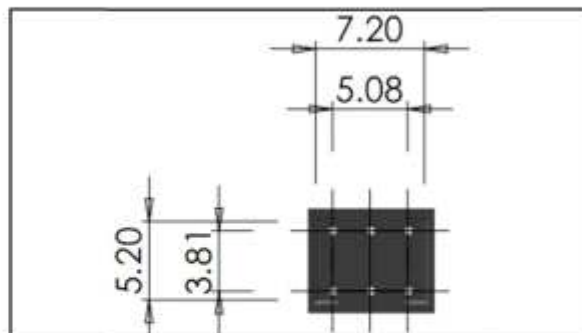
### RIGHT SIDE VIEW



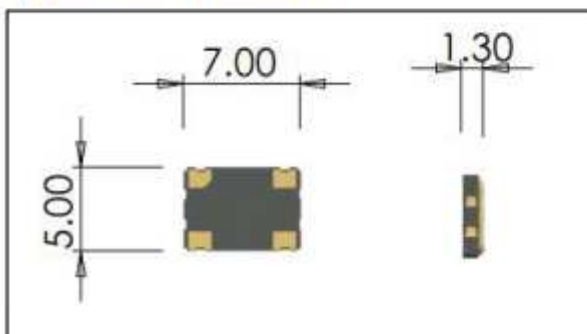
### TOP VIEW



### POCKET TOP VIEW



### Applicable Products



**Cardinal Components, Inc.**

1801 Broadway St  
Charlottesville, VA 22902  
USA



TEL: (973)785-1333  
E-MAIL: [sales@cardinalxtal.com](mailto:sales@cardinalxtal.com)  
WEB: <http://www.cardinalxtal.com>