



Antennas

Wireless Application: **Wi-Fi**Mounting Location: **Internal/Embedded**Mounting Type: **Surface Mount**Antenna Type: **Stamped Metal**Directionality: **Omnidirectional****Features****Configuration Features**

| | |
|--------------------|-------------------|
| Antenna Style | Stamped |
| Mounting Location | Internal/Embedded |
| Antenna Type | Stamped Metal |
| Band Type | Single Band |
| Port Configuration | Single Port |

Electrical Characteristics

| | |
|-------------------|-------------|
| Antenna Operation | Passive |
| VSWR (Max) | <2.5:1 |
| Impedance | 50 Ω |

Signal Characteristics

| | |
|-------------------------|-----------------|
| Gain (Max) | 4.9 dB |
| Frequency Band | 4900 – 5875 MHz |
| Nominal Frequency Range | 4900 – 5950 |
| Peak Gain | 3 < 6 dBi |

Body Features

| | |
|----------------|---------------|
| Product Weight | .2 g[.007 oz] |
|----------------|---------------|

Mechanical Attachment

| | |
|---------------|---------------|
| Polarization | Linear |
| Mounting Type | Surface Mount |



Dimensions

| | |
|----------------|------------------|
| Product Width | 4.25 mm[.167 in] |
| Product Length | 11 mm[.433 in] |
| Product Height | 4.9 mm[.193 in] |

Operation/Application

| | |
|-------------------|-------------------------|
| Wireless Standard | 802.11 a/g/n/ac & Wi-Fi |
| Directionality | Omnidirectional |

Industry Standards

| | |
|----------------------|-------|
| Wireless Application | Wi-Fi |
| Primary Application | Wi-Fi |

Product Availability

| | |
|-------------------|--------|
| Applicable Region | Global |
|-------------------|--------|

Packaging Features

| | |
|------------------|-------------|
| Packaging Method | Tape & Reel |
|------------------|-------------|

Other

| | |
|-----------------|----------|
| Precision Level | Standard |
|-----------------|----------|

Product Compliance

[For compliance documentation, visit the product page on TE.com>](#)

| | |
|---|--|
| EU RoHS Directive 2011/65/EU | Compliant |
| EU ELV Directive 2000/53/EC | Compliant |
| China RoHS 2 Directive MIIT Order No 32, 2016 | No Restricted Materials Above Threshold |
| EU REACH Regulation (EC) No. 1907/2006 | Current ECHA Candidate List: JUNE 2023 (235) Candidate List Declared Against: JAN 2023 (233) Does not contain REACH SVHC |
| Halogen Content | Low Halogen - Br, Cl, F, I < 900 ppm per homogenous material. Also BFR/CFR/PVC Free |
| Solder Process Capability | Reflow solder capable to 245°C |

Product Compliance Disclaimer

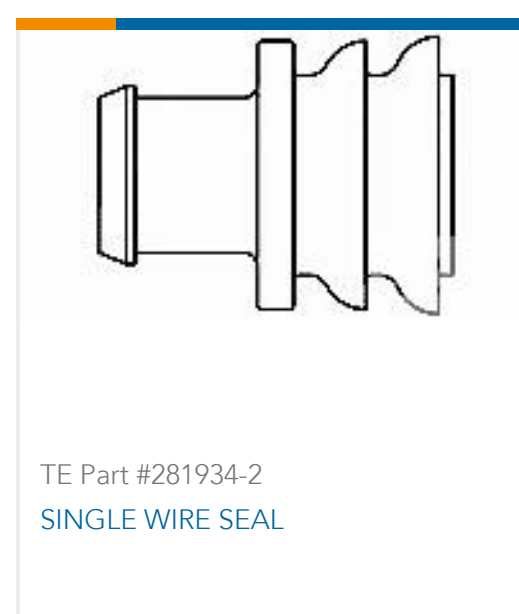
This information is provided based on reasonable inquiry of our suppliers and represents our current actual knowledge based on the information they provided. This information is subject to change. The part numbers that TE has identified as EU RoHS compliant have a maximum concentration of 0.1% by weight in homogenous materials for lead, hexavalent

chromium, mercury, PBB, PBDE, DBP, BBP, DEHP, DIBP, and 0.01% for cadmium, or qualify for an exemption to these limits as defined in the Annexes of Directive 2011/65/EU (RoHS2). Finished electrical and electronic equipment products will be CE marked as required by Directive 2011/65/EU. Components may not be CE marked. Additionally, the part numbers that TE has identified as EU ELV compliant have a maximum concentration of 0.1% by weight in homogenous materials for lead, hexavalent chromium, and mercury, and 0.01% for cadmium, or qualify for an exemption to these limits as defined in the Annexes of Directive 2000/53/EC (ELV). Regarding the REACH Regulation, the information TE provides on SVHC in articles for this part number is based on the latest European Chemicals Agency (ECHA) 'Guidance on requirements for substances in articles' posted at this URL: <https://echa.europa.eu/guidance-documents/guidance-on-reach>

Compatible Parts



Customers Also Bought



Documents

Product Drawings

Single Band WiFi, 5Ghz, Stamped, PCB Mt.

English

CAD Files

3D PDF

3D

Customer View Model



[ENG_CVM_CVM_2118316-1_C.2d_dxf.zip](#)

English

Customer View Model

[ENG_CVM_CVM_2118316-1_C.3d_igs.zip](#)

English

Customer View Model

[ENG_CVM_CVM_2118316-1_C.3d_stp.zip](#)

English

By downloading the CAD file I accept and agree to the [Terms and Conditions](#) of use.

Datasheets & Catalog Pages

[Antenna Data Sheet 4900-5875 MHz Single Band Antenna](#)

English

Product Specifications

[Product Specification](#)

English