

Rochester Electronics Manufactured Components

Rochester branded components are manufactured using either die/wafers purchased from the original suppliers or Rochester wafers recreated from the original IP. All recreations are done with the approval of the OCM.

Parts are tested using original factory test programs or Rochester developed test solutions to guarantee product meets or exceed the OCM data sheet.

Quality Overview

- ISO-9001
- AS9120 certification
- Qualified Manufacturers List (QML) MIL-PRF-35835
 - Class Q Military
 - Class V Space Level
- Qualified Suppliers List of Distributors (QSLD)
 - Rochester is a critical supplier to DLA and meets all industry and DLA standards.

Rochester Electronics, LLC is committed to supplying products that satisfy customer expectations for quality and are equal to those originally supplied by industry manufacturers.

The original manufacturer's datasheet accompanying this document reflects the performance and specifications of the Rochester manufactured version of this device. Rochester Electronics guarantees the performance of its semiconductor products to the original OEM specifications. 'Typical' values are for reference purposes only. Certain minimum or maximum ratings may be based on product characterization, design, simulation, or sample testing.

TYPES SN5490A, SN5492A, SN5493A, SN54L90, SN54L93, SN54LS90, SN54LS92, SN54LS93, SN7490A, SN7492A, SN7493A, SN74LS90, SN74LS92, SN74LS93 DECADE, DIVIDE-BY-TWELVE, AND BINARY COUNTERS

MARCH 1974 — REVISED DECEMBER 1983

'90A, 'L90, 'LS90 . . . DECADE COUNTERS

'92A, 'LS92 . . . DIVIDE-BY-TWELVE COUNTERS

'93A, 'L93, 'LS93 . . . 4-BIT BINARY COUNTERS

TYPES	TYPICAL POWER DISSIPATION
'90A	145 mW
'L90	20 mW
'LS90	45 mW
'92A, '93A	130 mW
'LS92, 'LS93	45 mW
'L93	16 mW

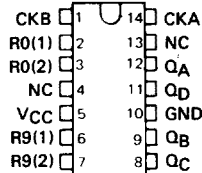
description

Each of these monolithic counters contains four master-slave flip-flops and additional gating to provide a divide-by-two counter and a three-stage binary counter for which the count cycle length is divide-by-five for the '90A, 'L90, and 'LS90, divide-by-six for the '92A and 'LS92, and divide-by-eight for the '93A, 'L93, and 'LS93.

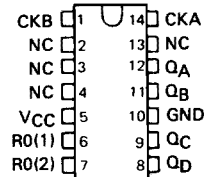
All of these counters have a gated zero reset and the '90A, 'L90, and 'LS90 also have gated set-to-nine inputs for use in BCD nine's complement applications.

To use their maximum count length (decade, divide-by-twelve, or four-bit binary) of these counters, the CKB input is connected to the Q_A output. The input count pulses are applied to CKA input and the outputs are as described in the appropriate function table. A symmetrical divide-by-ten count can be obtained from the '90A, 'L90, or 'LS90 counters by connecting the Q_D output to the CKA input and applying the input count to the CKB input which gives a divide-by-ten square wave at output Q_A .

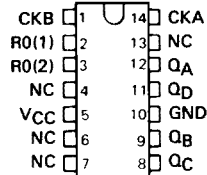
SN5490A, SN54LS90 . . . J OR W PACKAGE
SN54L90 . . . J PACKAGE
SN7490A . . . J OR N PACKAGE
SN74LS90 . . . D, J OR N PACKAGE
(TOP VIEW)



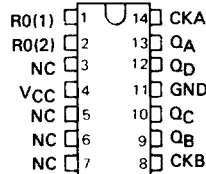
SN5492A, SN54LS92 . . . J OR W PACKAGE
SN7492A . . . J OR N PACKAGE
SN74LS92 . . . D, J OR N PACKAGE
(TOP VIEW)



SN5493A, SN54LS93 . . . J OR W PACKAGE
SN7493A . . . J OR N PACKAGE
SN74LS93 . . . D, J OR N PACKAGE
(TOP VIEW)



SN54L93 . . . J PACKAGE
(TOP VIEW)



NC - No internal connection

For new chip carrier design, use 'LS290, 'LS292, and 'LS293.

3

TTL DEVICES

PRODUCTION DATA

This document contains information current as of publication date. Products conform to specifications per the terms of Texas Instruments standard warranty. Production processing does not necessarily include testing of all parameters.



POST OFFICE BOX 225012 • DALLAS, TEXAS 75265

**TYPES SN5490A, '92A, '93A, SN54L90, 'L93, SN54LS90, 'LS92, 'LS93,
SN7490A, '92A, '93A, SN74LS90, 'LS92, 'LS93
DECADE, DIVIDE-BY-TWELVE, AND BINARY COUNTERS**

**'90A, 'L90, 'LS90
BCD COUNT SEQUENCE
(See Note A)**

COUNT	OUTPUT			
	Q _D	Q _C	Q _B	Q _A
0	L	L	L	L
1	L	L	L	H
2	L	L	H	L
3	L	L	H	H
4	L	H	L	L
5	L	H	L	H
6	L	H	H	L
7	L	H	H	H
8	H	L	L	L
9	H	L	L	H

**'90A, 'L90, 'LS90
BI-QUINARY (5-2)
(See Note B)**

COUNT	OUTPUT			
	Q _A	Q _D	Q _C	Q _B
0	L	L	L	L
1	L	L	L	H
2	L	L	H	L
3	L	L	H	H
4	L	H	L	L
5	H	L	L	L
6	H	L	L	H
7	H	L	H	L
8	H	L	H	H
9	H	H	L	L

**'92A, 'LS92
COUNT SEQUENCE
(See Note C)**

COUNT	OUTPUT			
	Q _D	Q _C	Q _B	Q _A
0	L	L	L	L
1	L	L	L	H
2	L	L	H	L
3	L	L	H	H
4	L	H	L	L
5	L	H	L	H
6	H	L	L	L
7	H	L	L	H
8	H	L	H	L
9	H	L	H	H
10	H	H	L	L
11	H	H	L	H

**'90A, 'L90, 'LS90
RESET/COUNT FUNCTION TABLE**

RESET INPUTS				OUTPUT			
R ₀ (1)	R ₀ (2)	R ₉ (1)	R ₉ (2)	Q _D	Q _C	Q _B	Q _A
H	H	L	X	L	L	L	L
H	H	X	L	L	L	L	L
X	X	H	H	H	L	L	H
X	L	X	L	COUNT			
L	X	L	X	COUNT			
L	X	X	L	COUNT			
X	L	L	X	COUNT			

**'93A, 'L93, 'LS93
COUNT SEQUENCE
(See Note C)**

COUNT	OUTPUT			
	Q _D	Q _C	Q _B	Q _A
0	L	L	L	L
1	L	L	L	H
2	L	L	H	L
3	L	L	H	H
4	L	H	L	L
5	L	H	L	H
6	L	H	H	L
7	L	H	H	H
8	H	L	L	L
9	H	L	L	H
10	H	L	H	L
11	H	L	H	H
12	H	H	L	L
13	H	H	L	H
14	H	H	H	L
15	H	H	H	H

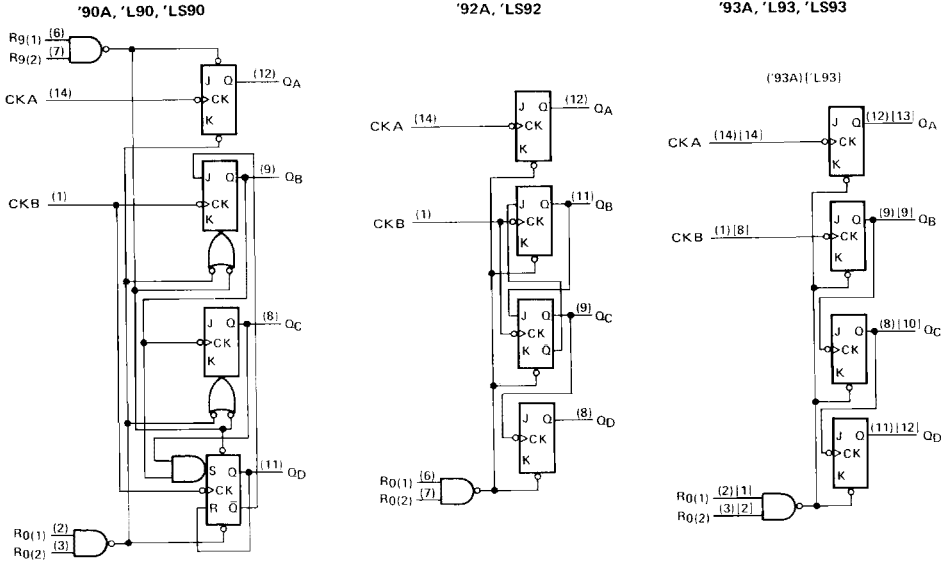
**'92A, 'LS92, '93A, 'L93, 'LS93
RESET/COUNT FUNCTION TABLE**

RESET INPUTS		OUTPUT			
R ₀ (1)	R ₀ (2)	Q _D	Q _C	Q _B	Q _A
H	H	L	L	L	L
L	X	COUNT			
X	L	COUNT			

- NOTES: A. Output Q_A is connected to input CKB for BCD count.
B. Output Q_D is connected to input CKA for bi-quinary count.
C. Output Q_A is connected to input CKB.
D. H = high level, L = low level, X = irrelevant

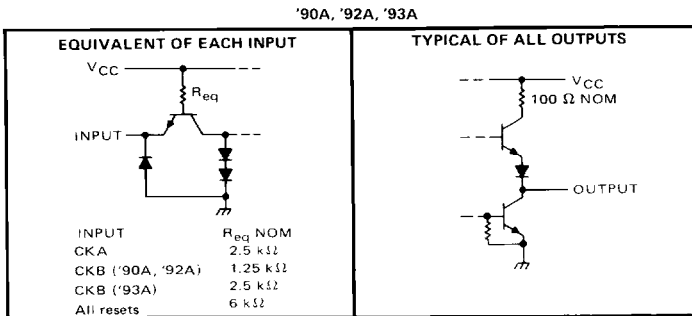
TYPES SN5490A, '92A, '93A, SN54L90, 'L93, SN54LS90, 'LS92, 'LS93 SN7490A, '92A, '93A, SN74LS90, 'LS92, 'LS93 DECADE, DIVIDE-BY-TWELVE, AND BINARY COUNTERS

logic diagrams



The J and K inputs shown without connection are for reference only and are functionally at a high level. Pin numbers shown in () are for the 'LS93 and '93A and pin numbers shown in | are for the 54L93.

schematics of inputs and outputs



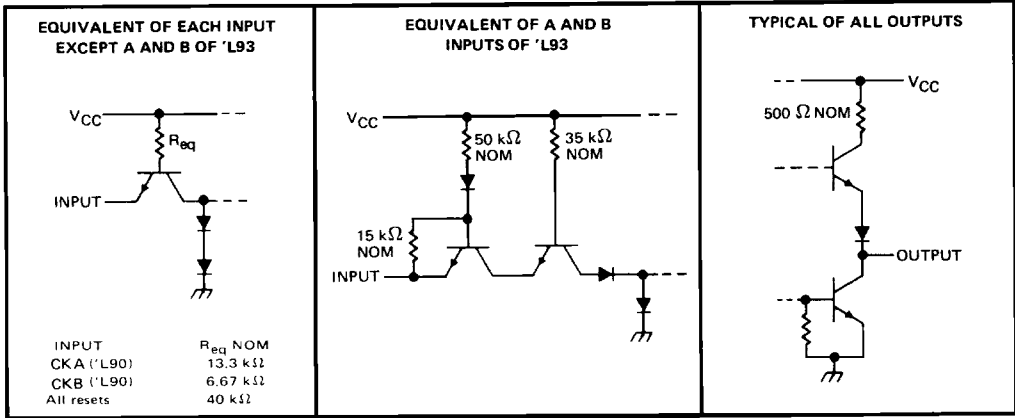
3

TTL DEVICES

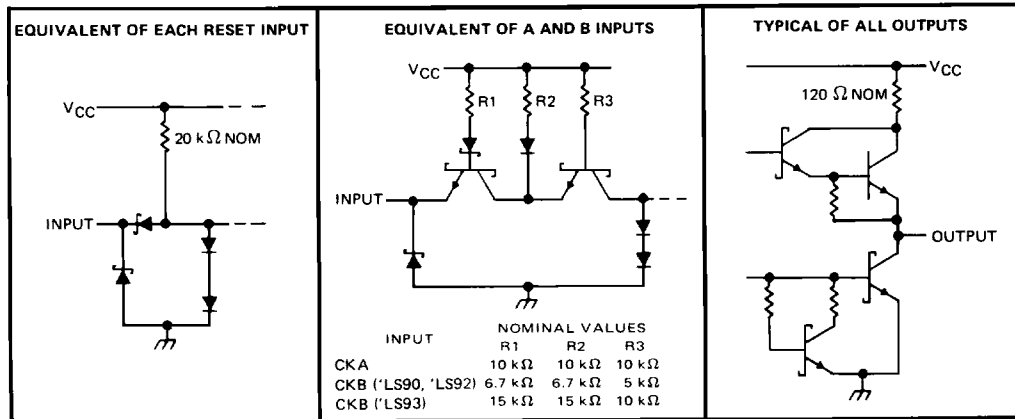
**TYPES SN54L90, 'L93, SN54LS90, 'LS92, 'LS93
SN74LS90, 'LS92, 'LS93
DECADE, DIVIDE-BY-TWELVE, AND BINARY COUNTERS**

schematics of inputs and outputs (continued)

'L90, 'L93



'LS90, 'LS92, 'LS93



3 TTL DEVICES

TYPES SN5490A, SN5492A, SN5493A, SN7490A, SN7492A, SN7493A DECADE, DIVIDE-BY-TWELVE, AND BINARY COUNTERS

absolute maximum ratings over operating free-air temperature range (unless otherwise noted)

Supply voltage, V_{CC} (see Note 1)	7 V
Input voltage	5.5 V
Intermitter voltage (see Note 2)	5.5 V
Operating free-air temperature range: SN5490A, SN5492A, SN5493A	-55°C to 125°C
SN7490A, SN7492A, SN7493A	0°C to 70°C
Storage temperature range	-65°C to 150°C

NOTES: 1. Voltage values, except intermitter voltage, are with respect to network ground terminal.
2. This is the voltage between two emitters of a multiple emitter transistor. For these circuits, this rating applies between the two R_O inputs, and for the '90A circuit, it also applies between the two R_G inputs.

recommended operating conditions

	SN5490A, SN5492A SN5493A			SN7490A, SN7492A SN7493A			UNIT		
	MIN	NOM	MAX	MIN	NOM	MAX			
	Supply voltage, V_{CC}	4.5	5	5.5	4.75	5		5.25	V
High-level output current, I_{OH}	-800			-800			μ A		
Low-level output current, I_{OL}	16			16			mA		
Count frequency, f_{COUNT} (see Figure 1)	A input	0	32	0	32		MHz		
	B input	0	16	0	16				
Pulse width, t_w	A input	15		15			ns		
	B input	30		30					
	Reset inputs	15		15					
Reset inactive-state setup time, t_{SU}	25			25			ns		
Operating free-air temperature, T_A	-55		125		0		70		°C

electrical characteristics over recommended operating free-air temperature range (unless otherwise noted)

PARAMETER [¶]	TEST CONDITIONS [†]	'90A			'92A			'93A			UNIT			
		MIN	TYP [‡]	MAX	MIN	TYP [‡]	MAX	MIN	TYP [‡]	MAX				
V_{IH}	High-level input voltage	2									V			
V_{IL}	Low-level input voltage	0.8									V			
V_{IK}	Input clamp voltage	$V_{CC} = \text{MIN}, I_I = -12 \text{ mA}$			-1.5			-1.5			V			
V_{OH}	High-level output voltage	2.4 3.4		2.4 3.4		2.4 3.4					V			
V_{OL}	Low-level output voltage	0.2 0.4		0.2 0.4		0.2 0.4					V			
I_I	Input current at maximum input voltage	$V_{CC} = \text{MAX}, V_I = 5.5 \text{ V}$									1	mA		
	I_{IH}	High-level input current	$V_{CC} = \text{MAX}, V_I = 2.4 \text{ V}$									40	80	80
Any reset		CKA	120									120	80	
		CKB	-1.6									-1.6	-1.6	
I_{IL}	Low-level input current	$V_{CC} = \text{MAX}, V_I = 0.4 \text{ V}$									-3.2	-3.2	-3.2	mA
	Any reset	CKA	-4.8									-4.8	-4.8	
		CKB	-3.2									-3.2	-3.2	
I_{OS}	Short-circuit output current [§]	$V_{CC} = \text{MAX}$	SN54 [¶]	-20	-57	-20	-57	-20	-57	-57	mA			
			SN74 [¶]	-18	-57	-18	-57	-18	-57					
I_{CC}	Supply current	$V_{CC} = \text{MAX}$, See Note 3		29 42		26 39		26 39		mA				

[†] For conditions shown as MIN or MAX, use the appropriate value specified under recommended operating conditions.

[‡] All typical values are at $V_{CC} = 5 \text{ V}$, $T_A = 25 \text{ C}$.

[§] Not more than one output should be shorted at a time.

[¶] QA outputs are tested at $I_{OL} = 16 \text{ mA}$ plus the limit value for I_{IL} for the CKB input. This permits driving the CKB input while maintaining full fan out capability.

NOTE 3: I_{CC} is measured with all outputs open, both R_O inputs grounded following momentary connection to 4.5 V, and all other inputs grounded.

3

TTL DEVICES



**TYPES SN5490A, SN5492A, SN5493A, SN7490A, SN7492A, SN7493A
DECADE, DIVIDE-BY-TWELVE, AND BINARY COUNTERS**

switching characteristics, $V_{CC} = 5\text{ V}$, $T_A = 25^\circ\text{C}$

PARAMETER ¹⁾	FROM (INPUT)	TO (OUTPUT)	TEST CONDITIONS	'90A			'92A			'93A			UNIT
				MIN	TYP	MAX	MIN	TYP	MAX	MIN	TYP	MAX	
f_{max}	CKA	Q_A	$C_L = 15\text{ pF}$, $R_L = 400\ \Omega$, See Figure 1	32	42		32	42		32	42		MHz
	CKB	Q_B		16			16			16			
t_{PLH}	CKA	Q_A		10	16		10	16		10	16		ns
t_{PHL}				12	18		12	18		12	18		
t_{PLH}	CKA	Q_D		32	48		32	48		46	70		ns
t_{PHL}				34	50		34	50		46	70		
t_{PLH}	CKB	Q_B		10	16		10	16		10	16		ns
t_{PHL}				14	21		14	21		14	21		
t_{PLH}	CKB	Q_C		21	32		10	16		21	32		ns
t_{PHL}				23	35		14	21		23	35		
t_{PLH}	CKB	Q_D		21	32		21	32		34	51		ns
t_{PHL}				23	35		23	35		34	51		
t_{PHL}	Set-to-0	Any		26	40		26	40		26	40		ns
t_{PLH}	Set-to-9	Q_A, Q_D		20	30								ns
t_{PHL}		Q_B, Q_C		26	40								

¹⁾ f_{max} maximum count frequency
 t_{PLH} propagation delay time, low to high level output
 t_{PHL} propagation delay time, high to low level output

3

TTL DEVICES

TYPES SN54L90, SN54L93 DECADE AND BINARY COUNTERS

absolute maximum ratings over operating free-air temperature range (unless otherwise noted)

Supply voltage, V_{CC} (see Note 1)	8 V
Input voltage (see Note 2)	5.5 V
Operating free-air temperature range:	-55°C to 125°C
Storage temperature range	-65°C to 150°C

NOTES: 1. Voltage values are with respect to network ground terminal.
2. Input voltages must be zero or positive with respect to network ground terminal.

recommended operating conditions

		SN54L90, SN54L93			UNIT
		MIN	NOM	MAX	
V_{CC}	Supply voltage	4.5	5	5.5	V
f_{count}	Count frequency	0		3	MHz
I_{OH}	High-level output current			-0.1	mA
I_{OL}	Low-level output current			2	mA
$t_{w(count)}$	Width of input count pulse	200			ns
$t_{w(reset)}$	Width of reset pulse	200			ns
T_A	Operating free-air temperature	-55		125	°C

electrical characteristics over recommended operating free-air temperature range (unless otherwise noted)

PARAMETER		TEST CONDITIONS†	SN54L90		SN54L93		UNIT
			MIN	TYP‡	MAX	MIN	
V_{IH}	High-level input voltage		2				V
V_{IL}	Low-level input voltage			0.7		0.7	V
V_{OH}	High-level output voltage	$V_{CC} = \text{MIN}$, $V_{IH} = 2 \text{ V}$, $V_{IL} = 0.7 \text{ V}$, $I_{OH} = \text{MAX}$	2.4	3.3	2.4	3.3	V
V_{OL}	Low-level output voltage	$V_{CC} = \text{MIN}$, $V_{IH} = 2 \text{ V}$, $V_{IL} = 0.7 \text{ V}$, $I_{OL} = \text{MAX}^{\S}$	0.15	0.3	0.15	0.3	V
I_I	Input current at maximum input voltage	Any reset input		100		100	μA
		CKA	$V_{CC} = \text{MAX}$, $V_I = 5.5 \text{ V}$	300		200	
		CKB		600		200	
I_{IH}	High-level input current	Any reset input		10		10	μA
		CKA	$V_{CC} = \text{MAX}$, $V_I = 2.4 \text{ V}$	30		20	
		CKB		60		20	
I_{IL}	Low-level input current	Any reset input		-0.18		-0.18	mA
		CKA	$V_{CC} = \text{MAX}$, $V_I = 0.3 \text{ V}$	-0.54		-0.36	
		CKB		-1.08		-0.36	
I_{OS}	Short-circuit output current §	$V_{CC} = \text{MAX}$	-3	-15	-3	-15	mA
I_{CC}	Supply current	$V_{CC} = \text{MAX}$, See Note 3	4	7.2	3.2	6.6	mA

†For conditions shown as MIN or MAX, use the appropriate value specified under recommended operating conditions.

‡All typical values are at $V_{CC} = 5 \text{ V}$, $T_A = 25^\circ \text{C}$.

§Not more than one output should be shorted at a time.

¶ I_{OL} outputs are tested at $I_{OL} = \text{MAX}$ plus the limit value for I_{IL} for the CKB input. This permits driving the CKB input while maintaining full fan out capability.

NOTE 3: I_{CC} is measured with all outputs open, both R_0 inputs grounded following momentary connection to 4.5 V, and all other inputs grounded.

switching characteristics, $V_{CC} = 5 \text{ V}$, $T_A = 25^\circ \text{C}$

PARAMETER		TEST CONDITIONS	SN54L90		SN54L93		UNIT
			MIN	TYP	MAX	MIN	
f_{max}	Maximum count frequency		3	6	3	6	MHz
t_{PLH}	Propagation delay time, low-to-high-level Q_D output from input CKA	$C_L = 50 \text{ pF}$, $R_L = 4 \text{ k}\Omega$, See Figure 1	230	340	280	450	ns
t_{PHL}	Propagation delay time, high-to-low-level Q_D output from input CKB		230	340	280	450	ns

3
TTL DEVICES

TYPES SN54LS90, SN54LS92, SN54LS93, SN74LS90, SN74LS92, SN74LS93 DECADE, DIVIDE-BY-TWELVE, AND BINARY COUNTERS

absolute maximum ratings over operating free-air temperature range (unless otherwise noted)

Supply voltage, V_{CC} (see Note 1)	7 V
Input voltage: R inputs	7 V
A and B inputs	5.5 V
Operating free-air temperature range: SN54LS' Circuits	-55°C to 125°C
SN74LS' Circuits	0°C to 70°C
Storage temperature range	-65°C to 150°C

NOTE 1: Voltage values are with respect to network ground terminal.

recommended operating conditions

	SN54LS90 SN54LS92 SN54LS93			SN74LS90 SN74LS92 SN74LS93			UNIT
	MIN	NOM	MAX	MIN	NOM	MAX	
Supply voltage, V_{CC}	4.5	5	5.5	4.75	5	5.25	V
High-level output current, I_{OH}	-400			-400			μ A
Low-level output current, I_{OL}	4			8			mA
Count frequency, f_{COUNT} (see Figure 1)	A input	0	32	0	32		MHz
	B input	0	16	0	16		
Pulse width, t_W	A input	15		15			ns
	B input	30		30			
	Reset inputs	30		30			
Reset inactive-state setup time, t_{SU}	25			25			ns
Operating free-air temperature, T_A	-55	125		0	70		°C

electrical characteristics over recommended operating free-air temperature range (unless otherwise noted)

PARAMETER	TEST CONDITIONS†	SN54LS90 SN54LS92			SN74LS90 SN74LS92			UNIT
		MIN	TYP‡	MAX	MIN	TYP‡	MAX	
V_{IH} High-level input voltage		2			2			V
V_{IL} Low-level input voltage		0.7			0.8			V
V_{IK} Input clamp voltage	$V_{CC} = \text{MIN}, I_I = -18 \text{ mA}$	-1.5			-1.5			V
V_{OH} High-level output voltage	$V_{CC} = \text{MIN}, V_{IH} = 2 \text{ V},$ $V_{IL} = V_{IL \text{ max}}, I_{OH} = -400 \mu\text{A}$	2.5	3.4		2.7	3.4		V
V_{OL} Low-level output voltage	$V_{CC} = \text{MIN}, V_{IH} = 2 \text{ V},$ $V_{IL} = V_{IL \text{ max}}, I_{OL} = 4 \text{ mA}^\S$	0.25	0.4		0.25	0.4		V
	$V_{CC} = \text{MAX}, V_I = 7 \text{ V},$ $I_{OL} = 8 \text{ mA}^\S$				0.35	0.5		
I_I Input current at maximum input voltage	Any reset	$V_{CC} = \text{MAX}, V_I = 7 \text{ V}$			0.1			mA
	CKA				0.2			
	CKB				0.4			
I_{IH} High-level input current	Any reset	$V_{CC} = \text{MAX}, V_I = 2.7 \text{ V}$			20			μ A
	CKA				40			
	CKB				80			
I_{IL} Low-level input current	Any reset	$V_{CC} = \text{MAX}, V_I = 0.4 \text{ V}$			-0.4			mA
	CKA				-2.4			
	CKB				-3.2			
I_{OS} Short-circuit output current§	$V_{CC} = \text{MAX}$	-20	-100		-20	-100		mA
I_{CC} Supply current	$V_{CC} = \text{MAX},$ See Note 3	'LS90	9	15	9	15		mA
		'LS92	9	15	9	15		

†For conditions shown as MIN or MAX, use the appropriate value specified under recommended operating conditions.

‡All typical values are at $V_{CC} = 5 \text{ V}, T_A = 25^\circ\text{C}$.

§Not more than one output should be shorted at a time, and duration of the short-circuit should not exceed one second.

¶Q_A outputs are tested at specified I_{OL} plus the limit value of I_{IL} for the CKB input. This permits driving the CKB input while maintaining full fan-out capability.

NOTE 3: I_{CC} is measured with all outputs open, both R₀ inputs grounded following momentary connection to 4.5 V, and all other inputs grounded.

TYPES SN54LS90, SN54LS92, SN54LS93, SN74LS90, SN74LS92, SN74LS93 DECADE, DIVIDE-BY-TWELVE, AND BINARY COUNTERS

electrical characteristics over recommended operating free-air temperature range (unless otherwise noted)

PARAMETER		TEST CONDITIONS†	SN54LS93			SN74LS93			UNIT
			MIN	TYP‡	MAX	MIN	TYP‡	MAX	
V _{IH}	High-level input voltage		2			2			V
V _{IL}	Low-level input voltage		0.7			0.8			V
V _{IK}	Input clamp voltage	V _{CC} = MIN, I _I = -18 mA	-1.5			-1.5			V
V _{OH}	High-level output voltage	V _{CC} = MIN, V _{IH} = 2 V, V _{IL} = V _{IL} max, I _{OH} = -400 µA	2.5	3.4		2.7	3.4		V
V _{OL}	Low-level output voltage	V _{CC} = MIN, V _{IH} = 2 V, V _{IL} = V _{IL} max	I _{OL} = 4 mA [¶]			0.25 0.4			V
			I _{OL} = 8 mA [¶]			0.35 0.5			
I _I	Input current at maximum input voltage	Any reset	V _{CC} = MAX, V _I = 7 V			0.1			mA
		CKA or CKB	V _{CC} = MAX, V _I = 5.5 V			0.2			
I _{IH}	High-level input current	Any reset	V _{CC} = MAX, V _I = 2.7 V			20			µA
		CKA or CKB				40			
I _{IL}	Low-level input current	Any reset	V _{CC} = MAX, V _I = 0.4 V			-0.4			mA
		CKA				-2.4			
		CKB				-1.6			
I _{OS}	Short-circuit output current [§]	V _{CC} = MAX	-20			-100			mA
I _{CC}	Supply current	V _{CC} = MAX, See Note 3	9 15			9 15			mA

† For conditions shown as MIN or MAX, use the appropriate value specified under recommended operating conditions.

‡ All typical values are at V_{CC} = 5 V, T_A = 25 °C.

§ Not more than one output should be shorted at a time, and duration of the short-circuit should not exceed one second.

¶ Q_A outputs are tested at specified I_{OL} plus the limit value for I_{IL} for the CKB input. This permits driving the CKB input while maintaining full fan out capability.

NOTE 3: I_{CC} is measured with all outputs open, both R₀ inputs grounded following momentary connection to 4.5 V, and all other inputs grounded.

switching characteristics, V_{CC} = 5 V, T_A = 25 °C

PARAMETER*	FROM (INPUT)	TO (OUTPUT)	TEST CONDITIONS	'LS90			'LS92			'LS93			UNIT
				MIN	TYP	MAX	MIN	TYP	MAX	MIN	TYP	MAX	
f _{max}	CKA	Q _A	C _L = 15 pF, R _L = 2 kΩ See Figure 1	32	42		32	42		32	42		MHz
	CKB	Q _B		16			16			16			
t _{PLH}	CKA	Q _A		10	16		10	16		10	16		ns
				12	18		12	18		12	18		
t _{PLH}	CKA	Q _D		32	48		32	48		46	70		ns
				34	50		34	50		46	70		
t _{PLH}	CKB	Q _B		10	16		10	16		10	16		ns
				14	21		14	21		14	21		
t _{PLH}	CKB	Q _C		21	32		10	16		21	32		ns
				23	35		14	21		23	35		
t _{PLH}	CKB	Q _D		21	32		21	32		34	51		ns
				23	35		23	35		34	51		
t _{PHL}	Set to 0	Any		26	40		26	40		26	40		ns
t _{PLH}	Set to 9	Q _A , Q _D		20	30								ns
		Q _B , Q _C		26	40								

* f_{max} - maximum clock frequency

t_{PLH} - propagation delay time, low to high level output

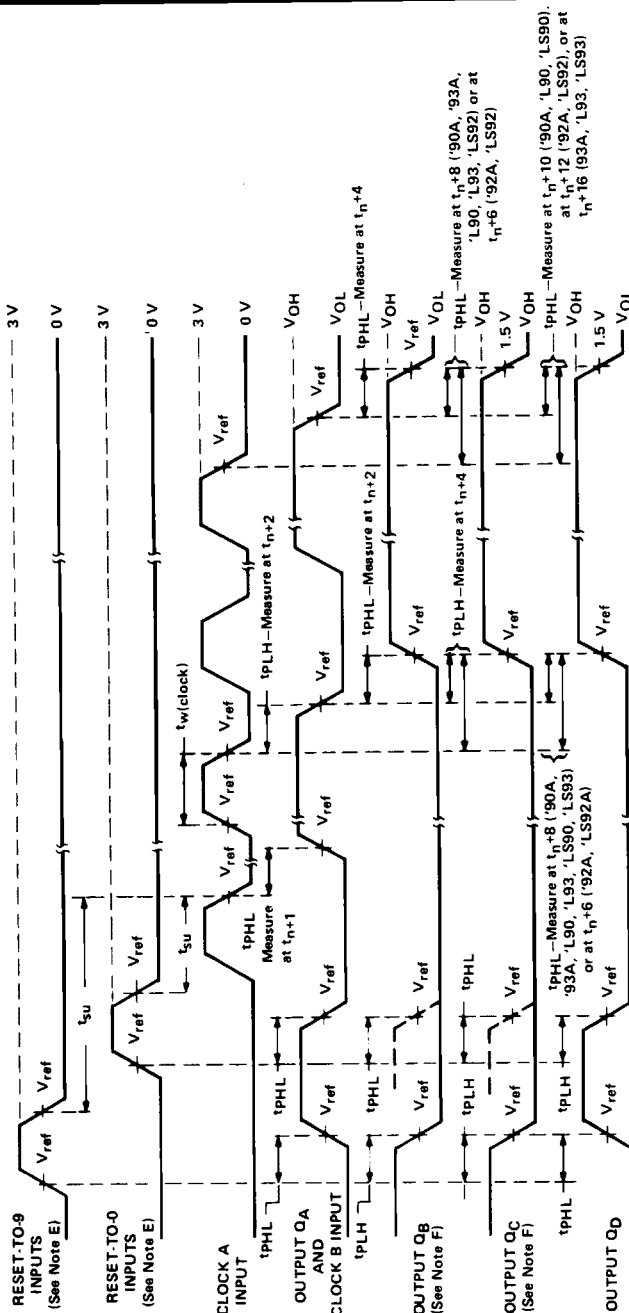
t_{PHL} - propagation delay time, high to low level output

3

TTL DEVICES

TYPES SN5490A, SN5492A, SN5493A, SN54L90, SN54L93, SN54LS90, SN54LS92, SN54LS93, SN7490A, SN7492A, SN7493A, SN74LS90, SN74LS92, SN74LS93
 DECADE, DIVIDE-BY-TWELVE, AND BINARY COUNTERS

PARAMETER MEASUREMENT INFORMATION

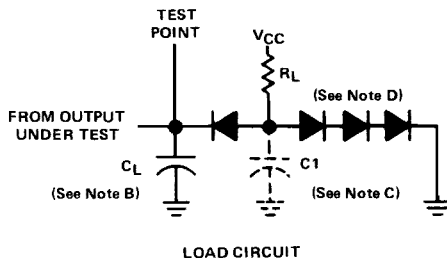


- NOTES:
- A. Input pulses are supplied by a generator having the following characteristics: for '90A, '92A, '93A, $t_r \leq 5$ ns, $t_f \leq 5$ ns, PRR = 1 MHz, duty cycle = 50%, $Z_{out} \approx 50$ ohms; for 'L90, 'L93, $t_r \leq 15$ ns, $t_f \leq 15$ ns, PRR = 500 kHz, duty cycle = 50%, $Z_{out} \approx 50$ ohms; for 'LS90, 'LS92, 'LS93, $t_r \leq 15$ ns, $t_f \leq 5$ ns, PRR = 1 MHz, duty cycle = 50%, $Z_{out} \approx 50$ ohms.
 - B. CL includes probe and jig capacitance.
 - C. C1 (30 pF) is applicable for testing 'L90 and 'L93.
 - D. All diodes are 1N3064 or equivalent.
 - E. Each reset input is tested separately with the other reset at 4.5 V.
 - F. Reference waveforms are shown with dashed lines.
 - G. For '90A, '92A, and '93A: $V_{ref} = 1.5$ V. For 'L90, 'L93, 'LS90, 'LS92, and 'LS93: $V_{ref} = 1.3$ V.

FIGURE 1A

**TYPES SN5490A, SN5492A, SN5493A, SN54L90, SN54L93, SN54LS90, SN54LS92,
SN54LS93, SN7490A, SN7492A, SN7493A, SN74LS90, SN74LS92, SN74LS93
DECADE, DIVIDE-BY-TWELVE, AND BINARY COUNTERS**

PARAMETER MEASUREMENT INFORMATION



- NOTES: A. Input pulses are supplied by a generator having the following characteristics:
 for '90A, '92A, '93A, $t_r \leq 5$ ns, $t_f \leq 5$ ns, PRR = 1 MHz, duty cycle = 50%, $Z_{out} \approx 50$ ohms;
 for 'L90, 'L93, $t_r \leq 15$ ns, $t_f \leq 15$ ns, PRR = 500 kHz, duty cycle = 50%, $Z_{out} \approx 50$ ohms;
 for 'LS90, 'LS92, 'LS93, $t_r \leq 15$ ns, $t_f \leq 5$ ns, PRR = 1 MHz, duty cycle = 50%, $Z_{out} \approx 50$ ohms.
- B. C_L includes probe and jig capacitance.
- C. C1 (30 pF) is applicable for testing 'L90 and 'L93.
- D. All diodes are 1N3064 or equivalent.
- E. Each reset input is tested separately with the other reset at 4.5 V.
- F. Reference waveforms are shown with dashed lines.
- G. For '90A, '92A, and '93A; $V_{ref} = 1.5$ V. For 'L90, 'L93, 'LS90, 'LS92, and 'LS93; $V_{ref} = 1.3$ V.

FIGURE 1B



TTL DEVICES



TTL DEVICES