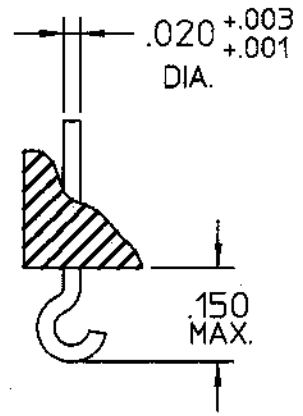


.096 ±.005 DIA.
4 HOLES

14 HOOKS



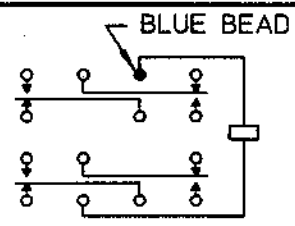
TOL. = .010

REV. 0

DCO 142865

COIL: @ 25°C	720 OHMS ±10%
RESISTANCE	
NOMINAL VOLTAGE	26.5 VDC
MUST OPERATE	13.5 VDC
MUST RELEASE	8.1 VDC MAX., 1.5 VDC MIN.

CUSTOMER DATA SHEET



TERMINAL VIEW

ENVIRONMENT:

VIBRATION: 10 CPS TO 3000 CPS @ 30 g's

SHOCK 75 g's 6 MS. DURATION

TEMPERATURE -65 °C TO +125 °C

NOTES: OPERATE 4 MS MAX.
RELEASE 4 MS MAX.
CONTACT STABILIZATION 2.5 MS MAX.

CONTACT RATING: LOW LEVEL TO
2 AMPS 28 VDC RESISTIVE
100,000 OPERATIONS

DR. B.D. 4/9/01 CK. *[Signature]*



CUST. QPL
CUST. NO. M39016/14-001M REV.

"3SBH" RELAY

3SBH1138A2