

LOW PROFILE SHIELDED SMD CHIP POWER INDUCTOR



6.0 x 6.0 x 4.5mm

ASPI-0645



RoHS
Compliant

FEATURES:

- Small size and low profile: 4.5mm
- Small DCR and high rated current
- High reliability to mechanical stress
- Magnetically shielded by magnetic powder molding
- Suitable for RoHS reflow profile

APPLICATIONS:

- Mobile phones
- MP3 & 4 and other portable communication equipment
- Digital cameras.

ELECTRICAL SPECIFICATIONS:

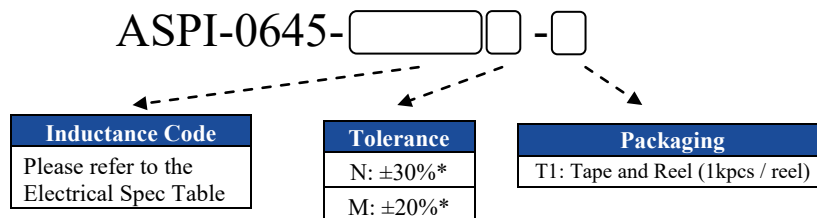
Abrakon P/N:	ASPI-0645 Series
Operating Temperature & Humidity:	-25°C to +120°C (Including self generated heat)
Storage Temperature & Humidity:	-10°C to +40°C, 30% to 70% RH

Part Number	Inductance	Inductance Tolerance	DCR	DCR Tolerance	Saturation Current	Temperature Rise Current
Units	μH	%	mΩ	%	A	A
Symbol	L	M, N	DCR		Isat	Irms
ASPI-0645-1R0	1.0	N	10	±30%	8.60	6.50
ASPI-0645-1R3	1.3	N	11		8.00	6.00
ASPI-0645-1R8	1.8	N	12		7.00	5.30
ASPI-0645-2R2	2.2	N	13		6.10	5.00
ASPI-0645-3R0	3.0	N	17		5.00	4.80
ASPI-0645-3R3	3.3	N	17		4.50	4.50
ASPI-0645-4R5	4.5	N	23		4.30	3.80
ASPI-0645-4R7	4.7	N	23		4.00	3.70
ASPI-0645-5R6	5.6	N	26		3.80	3.60
ASPI-0645-6R3	6.3	N	26		3.80	3.60
ASPI-0645-6R8	6.8	N	34		3.60	3.50
ASPI-0645-8R2	8.2	N	41		3.20	3.10
ASPI-0645-100	10	M	45		±20%	3.10
ASPI-0645-150	15	M	80	2.30		2.30
ASPI-0645-220	22	M	112	1.90		1.90
ASPI-0645-330	33	M	170	1.50		1.50
ASPI-0645-470	47	M	210	1.30		1.30
ASPI-0645-560	56	M	270	1.20		1.20
ASPI-0645-680	68	M	325	1.00		1.00
ASPI-0645-101	100	M	460	0.90		0.90
ASPI-0645-221	220	M	920	0.55		0.50

Test Conditions

1. Inductance is measured in HP-4285A Precision LCR Meter.
2. RDC is measured in HP 4338B milli ohm meter.(or equivalent).
3. Isat : Based on inductance change ($\Delta L/L_0 : \leq -30\%$)
4. Irms : Based on temperature rise ($\Delta T : 40^\circ\text{C TYP.}$)
5. Test Freq: 100KHz, 1Vrms

OPTIONS AND PART IDENTIFICATION



*N for L = 1.0 ~ 3.3μH
*M for L = 4.5 ~ 220μH

LOW PROFILE SHIELDED SMD CHIP POWER INDUCTOR



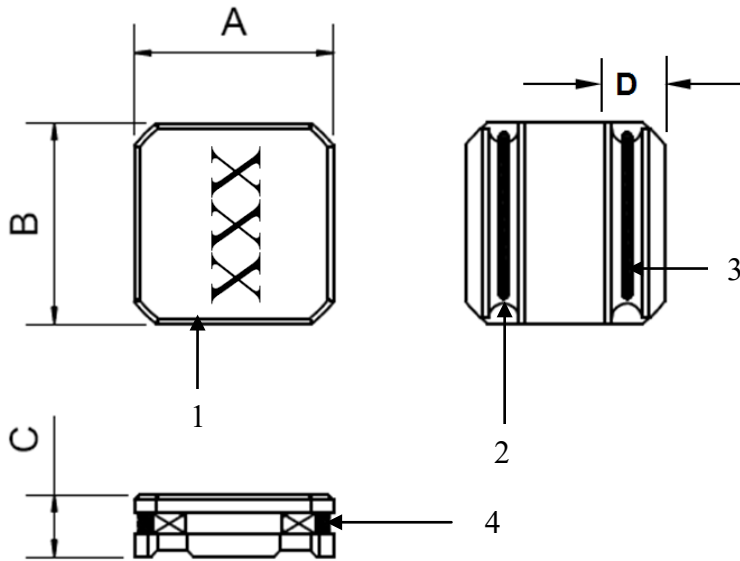
6.0 x 6.0 x 4.5mm

ASPI-0645



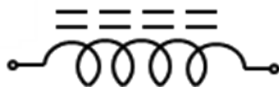
RoHS
Compliant

OUTLINE DRAWING:



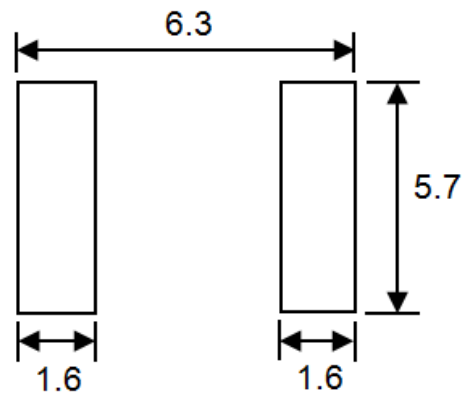
A	B	C Max.	D Typ.
6.0±0.2	6.0±0.2	4.5	1.50

Circuit Schematic



No Polarity

Recommended Land Pattern



Dimension: mm

Materials

No	Part Name	Material
1	Ferrite core	Ni-Zn Ferrite
2	Terminals	Ag/Ni/Sn
3	Coil	Cu/P180 Grd 1
4	Adhesive	Silicon Base Resin
	Magnetic Powder	Ni-Zn Ferrite

LOW PROFILE SHIELDED SMD CHIP POWER INDUCTOR

ASPI-0645

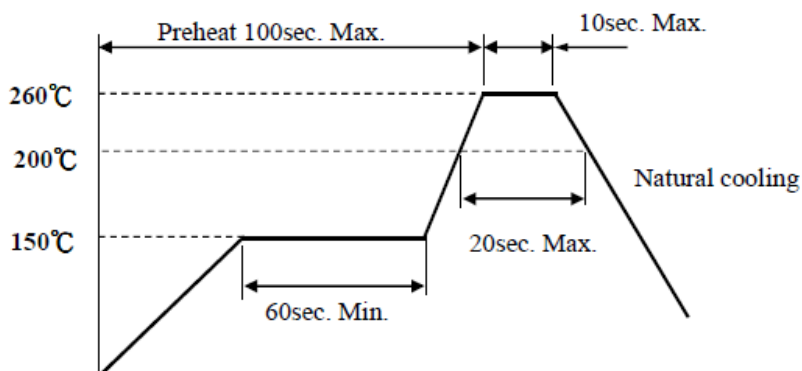


RoHS
Compliant

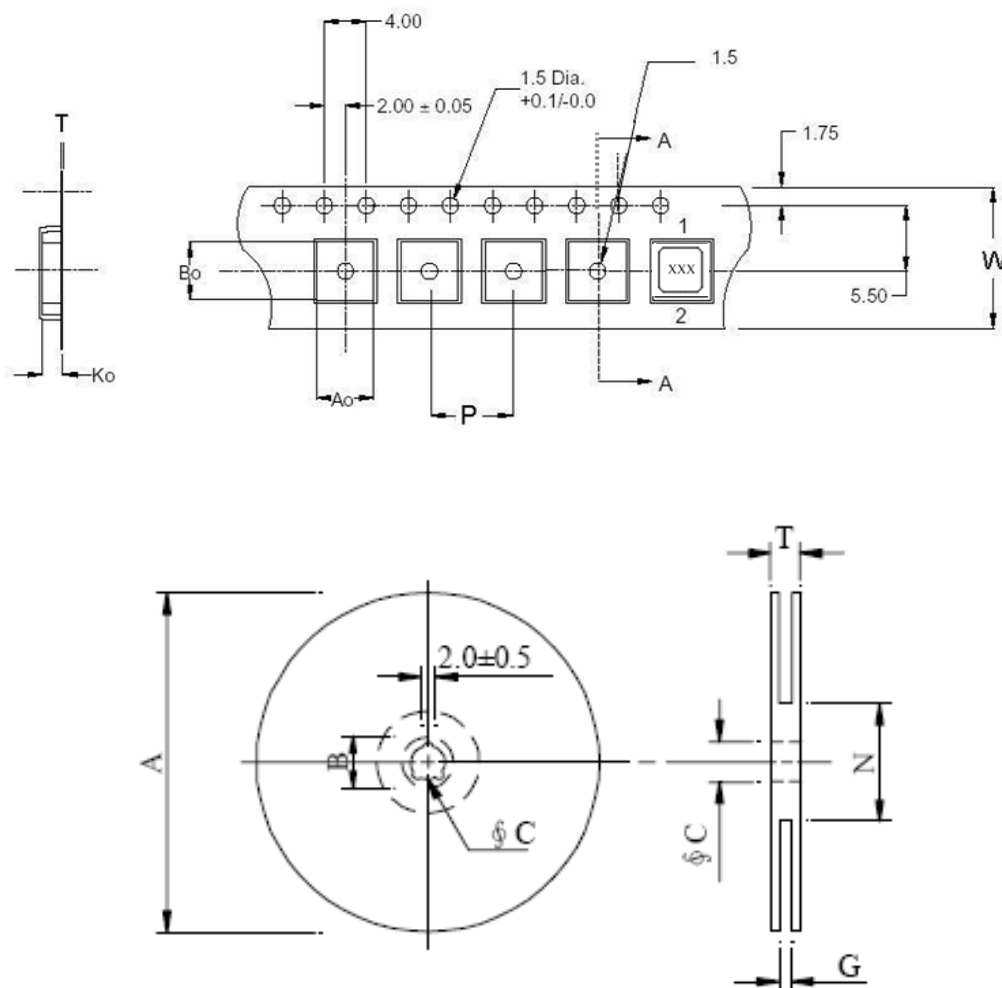


6.0 x 6.0 x 4.5mm

REFLOW PROFILE:



TAPE & REEL:



Ao	6.40
Bo	6.40
Ko	4.70
W	16.00
P	12.00
T	0.40

A	330
B	21.0±0.8
C	13.5±0.5
G	16.6
N	99.5
T	21

Dimension: mm

ATTENTION: Abracon Corporation's products are COTS – Commercial-Off-The-Shelf products; suitable for Commercial, Industrial and, where designated, Automotive Applications. Abracon's products are not specifically designed for Military, Aviation, Aerospace, Life-dependant Medical applications or any application requiring high reliability where component failure could result in loss of life and/or property. For applications requiring high reliability and/or presenting an extreme operating environment, written consent and authorization from Abracon Corporation is required. Please contact Abracon Corporation for more information.



5101 Hidden Creek Ln Spicewood TX 78669
Phone: 512-371-6159 | Fax: 512-351-8858
For terms and conditions of sales, please visit:
www.abracon.com

REVISED: 02-28-20

ABRACON IS
ISO9001-2015
CERTIFIED