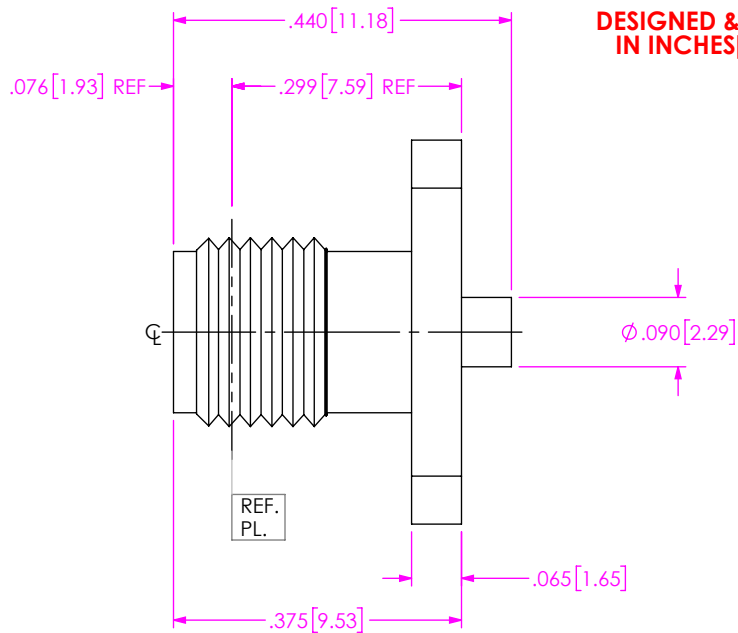


DO NOT SCALE FROM THIS PRINT



DESIGNED & DIMENSIONED IN INCHES[MILLIMETERS]

PRF01-J-C-EE-047D-4D

SERIES  
-01: SMA

GENDER  
-J: JACK

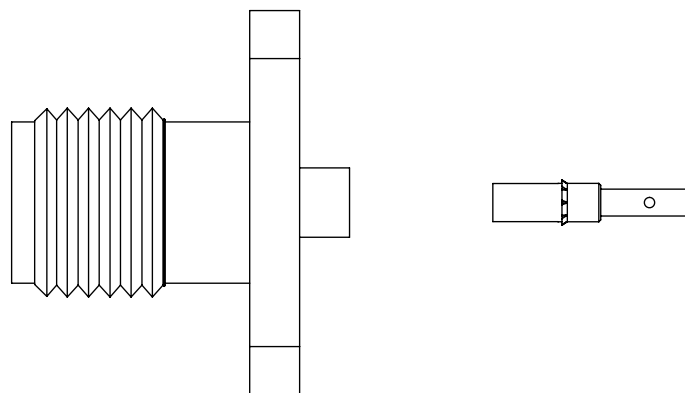
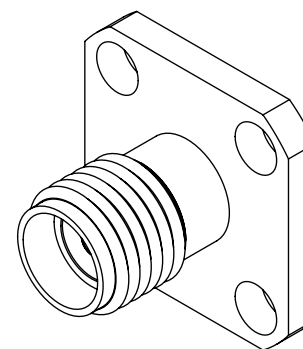
TYPE  
-C: CABLE

FINISH  
-EE: 50µ" EXTRA HEAVY GOLD CENTER CONTACT, 50µ" EXTRA HEAVY GOLD OUTER CONTACT

TERMINATION  
-D: DIRECT SOLDER

ORIENTATION  
-4: 4 HOLE FLANGE

CABLE TYPE  
-047D: .047" SEMI-RIGID



EXPLODED VIEW  
NOT TO SCALE  
(FOR CLARITY ONLY)

F:\DWG\MISC\MKTG\PRF01-J-C-EE-047D-4D-MKT.SLDDRW

NOTES:

- MATERIAL:  
BODY, CONTACT: BERYLLIUM COPPER  
INSULATOR: PTFE
- FINISH:  
BODY, CONTACT: 50µ" MIN. GOLD OVER 50µ" MIN. NICKEL PLATE
- PCI P/N: 3844

UNLESS OTHERWISE SPECIFIED, DIMENSIONS ARE IN INCHES. TOLERANCES ARE:  
DECIMALS ANGLES  
.XX: ±.01 [0.3] 1°  
.XXX: ±.005 [0.13]  
.XXXX: ±.0005 [0.013]

**PROPRIETARY NOTE**  
THIS DOCUMENT CONTAINS CONFIDENTIAL AND PROPRIETARY INFORMATION AND ALL DESIGN, MANUFACTURING, REPRODUCTION, USE, PATENT RIGHTS AND SALES RIGHTS ARE EXPRESSLY RESERVED BY SAMTEC, INC. THIS DOCUMENT SHALL NOT BE DISCLOSED, IN WHOLE OR PART, TO ANY UNAUTHORIZED PERSON OR ENTITY NOR REPRODUCED, TRANSFERRED OR INCORPORATED IN ANY OTHER PROJECT IN ANY MANNER WITHOUT THE EXPRESS WRITTEN CONSENT OF SAMTEC, INC.



520 PARK EAST BLVD., NEW ALBANY, IN 47150  
PHONE: 812-944-6733 FAX: 812-948-5047  
e-Mail info@SAMTEC.com code 55322

DO NOT SCALE DRAWING

SHEET SCALE: 4:1

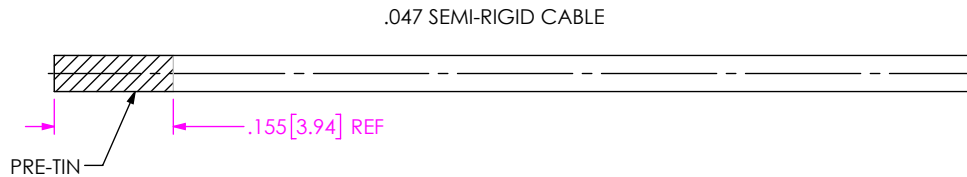
DESCRIPTION: SMA JACK BH ASSEMBLY FOR .047" SEMI-RIGID CABLE

DWG. NO. PRF01-J-C-EE-047D-4D

BY: FABIAN F. 03/28/2019 SHEET 1 OF 3

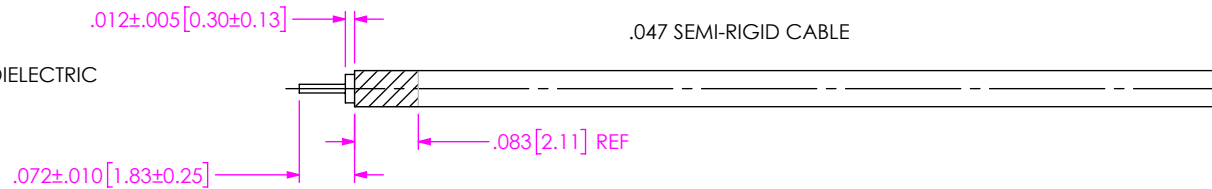
# CABLE APPLICATION VIEWS

1. PRE-TIN CABLE JACKET TO THE APPROXIMATE LENGTH SHOWN.  
(OPTIONAL)



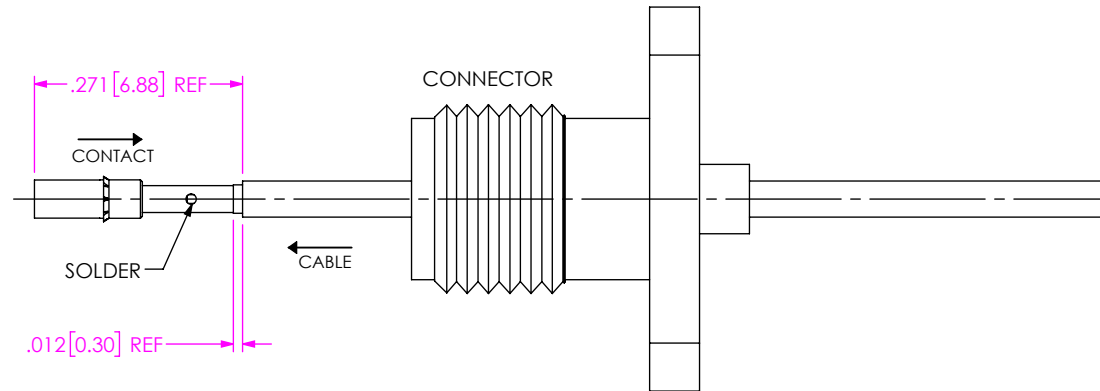
IN-PROCESS VIEW 1

2A. TRIM CABLE TO EXPOSE CENTER CONDUCTOR & DIELECTRIC  
2B. PRE-TIN CABLE CENTER CONDUCTOR.



IN-PROCESS VIEW 2

3A. PUSH PREPARED CABLE END THROUGH CONNECTOR AS SHOWN.  
3B. SOLDER CENTER CONTACT TO CABLE CENTER CONDUCTOR FLUSH TO CABLE DIELECTRIC.



IN-PROCESS VIEW 3

**PROPRIETARY NOTE**  
THIS DOCUMENT CONTAINS CONFIDENTIAL AND PROPRIETARY INFORMATION AND ALL DESIGN, MANUFACTURING, REPRODUCTION, USE, PATENT RIGHTS AND SALES RIGHTS ARE EXPRESSLY RESERVED BY SAMTEC, INC. THIS DOCUMENT SHALL NOT BE DISCLOSED, IN WHOLE OR PART, TO ANY UNAUTHORIZED PERSON OR ENTITY NOR REPRODUCED, TRANSFERRED OR INCORPORATED IN ANY OTHER PROJECT IN ANY MANNER WITHOUT THE EXPRESS WRITTEN CONSENT OF SAMTEC, INC.

DO NOT SCALE DRAWING  
SHEET SCALE: 4:1



520 PARK EAST BLVD, NEW ALBANY, IN 47150  
PHONE: 812-944-6733 FAX: 812-948-5047  
e-Mail info@SAMTEC.com code 55322

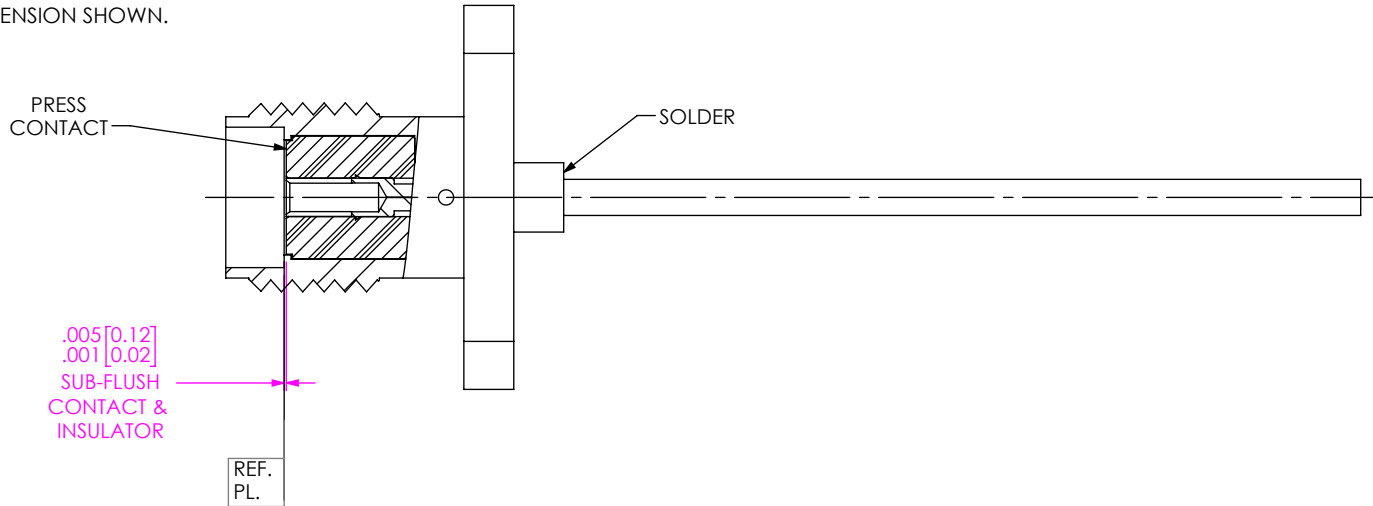
DESCRIPTION: 1.85mm JACK BULKHEAD ASSEMBLY FOR .047" SEMI-RIGID CABLE

DWG. NO. PRF01-J-C-EE-047D-4D

BY: FABIAN F. 03/28/2019 SHEET 2 OF 3

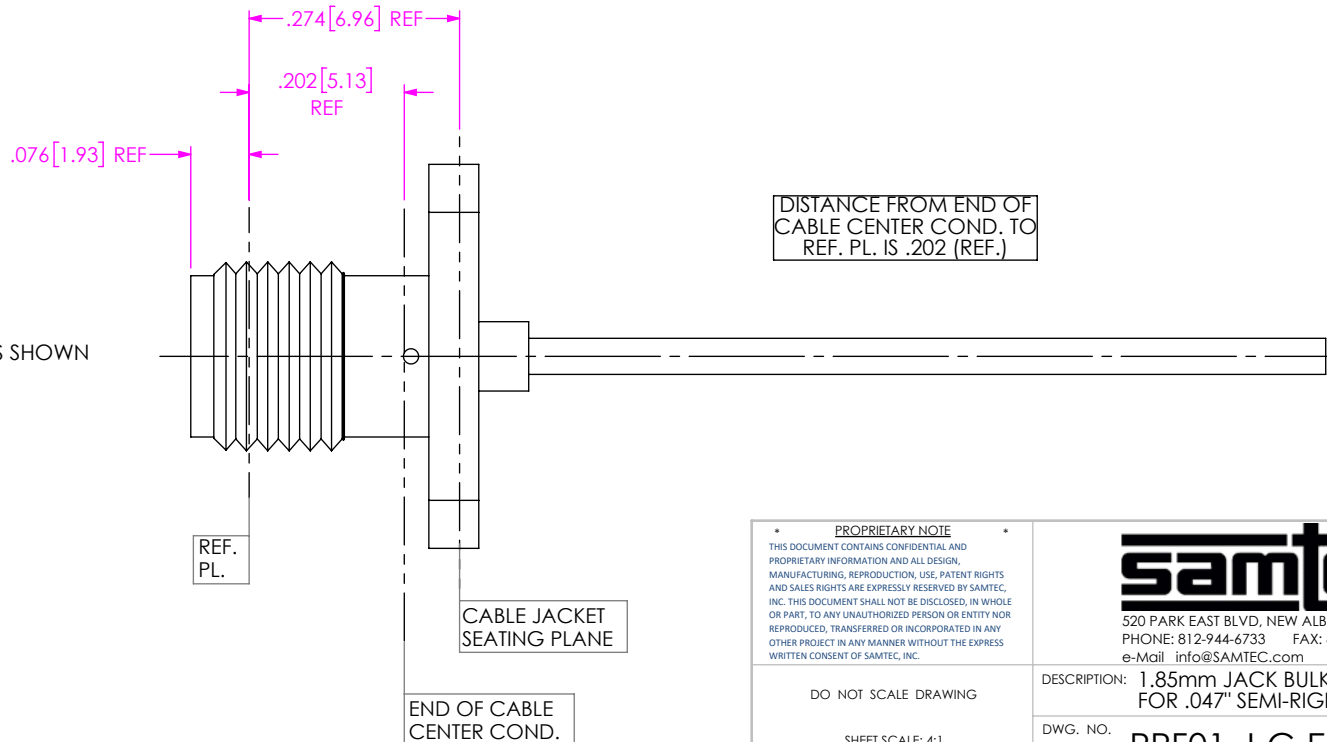
# CABLE APPLICATION VIEWS

- 4A. PRESS-FIT CONTACT INTO CONNECTOR.  
SUB-FLUSH TO REFERENCE PLANE TO DIMENSION SHOWN.
- 4B. SOLDER CABLE JACKET TO CONNECTOR  
WHERE INDICATED.



IN-PROCESS VIEW 4

- 5. ASSEMBLED CONNECTOR DIMENSIONS ARE AS SHOWN



IN-PROCESS VIEW 5

**PROPRIETARY NOTE**  
 THIS DOCUMENT CONTAINS CONFIDENTIAL AND PROPRIETARY INFORMATION AND ALL DESIGN, MANUFACTURING, REPRODUCTION, USE, PATENT RIGHTS AND SALES RIGHTS ARE EXPRESSLY RESERVED BY SAMTEC, INC. THIS DOCUMENT SHALL NOT BE DISCLOSED, IN WHOLE OR PART, TO ANY UNAUTHORIZED PERSON OR ENTITY NOR REPRODUCED, TRANSFERRED OR INCORPORATED IN ANY OTHER PROJECT IN ANY MANNER WITHOUT THE EXPRESS WRITTEN CONSENT OF SAMTEC, INC.



520 PARK EAST BLVD, NEW ALBANY, IN 47150  
 PHONE: 812-944-6733 FAX: 812-948-5047  
 e-Mail info@SAMTEC.com code 55322

DO NOT SCALE DRAWING

SHEET SCALE: 4:1

DESCRIPTION: 1.85mm JACK BULKHEAD ASSEMBLY FOR .047" SEMI-RIGID CABLE

DWG. NO. PRF01-J-C-EE-047D-4D

BY: FABIAN F. 03/28/2019 SHEET 3 OF 3