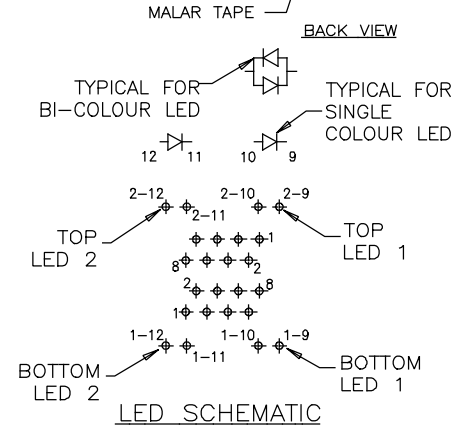
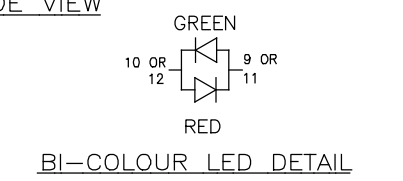
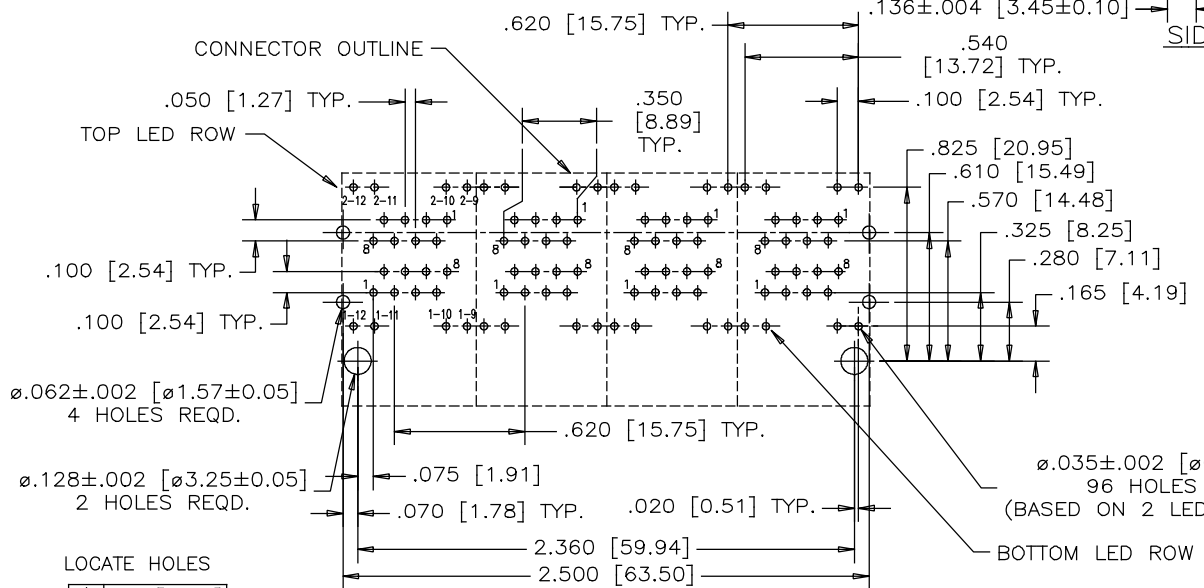
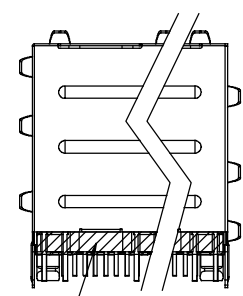
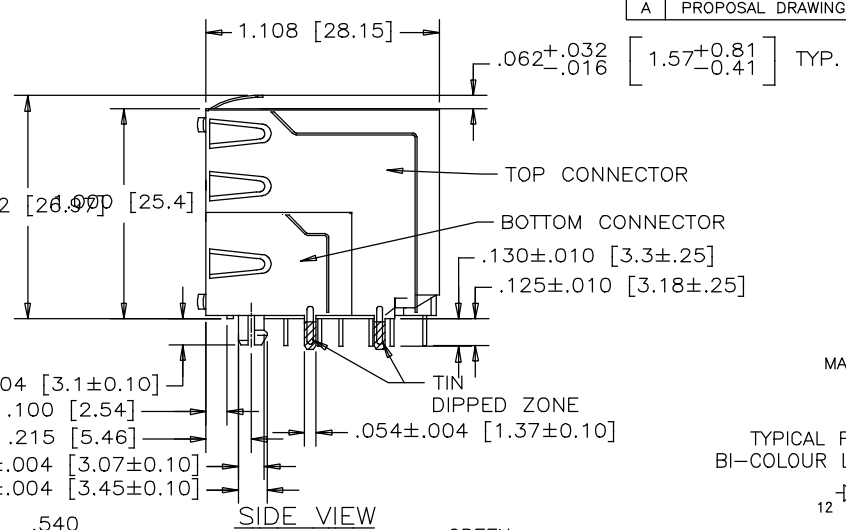
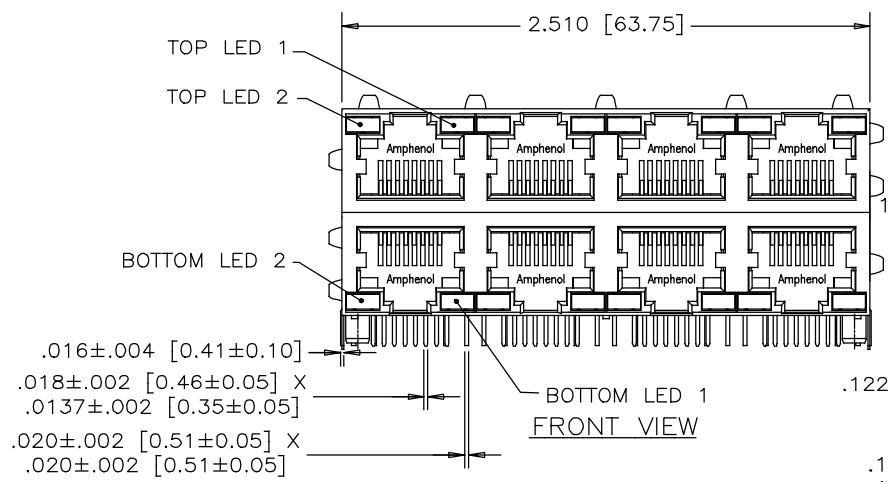


REVISIONS			
REV	DESCRIPTION, ECN, EAR NO.	DATE	APP'D
A	PROPOSAL DRAWING	JUN 02/18	L.CHAN

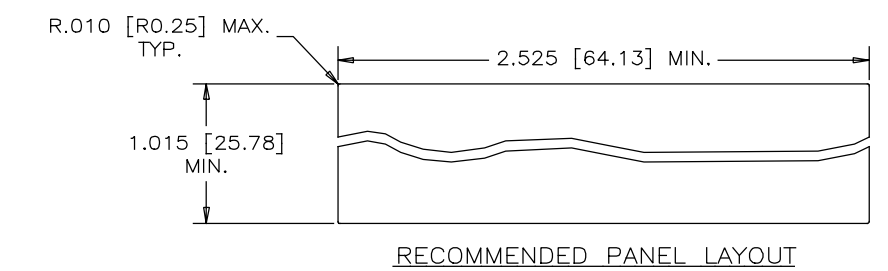


**MATERIALS:**  
**HOUSING:** ENGINEERING THERMOPLASTIC. FLAMMABILITY RATING UL 94V-0  
**CONTACTS:** PHOSPHOR BRONZE  
**PLATING:** SELECTIVE GOLD PLATING ON MATING SURFACES. SEE PART NO. FOR THICKNESS.  
 50µ" [1.27 MICRONS] MIN. NICKEL UNDERPLATE.  
 100µ" [2.54 MICRONS] MIN. MATTE TIN OR GOLD FLASH ON CONTACT TAILS.  
**SHIELD:** COPPER ALLOY  
**PLATING:** NICKEL WITH TIN DIPPED PCB TAIL.

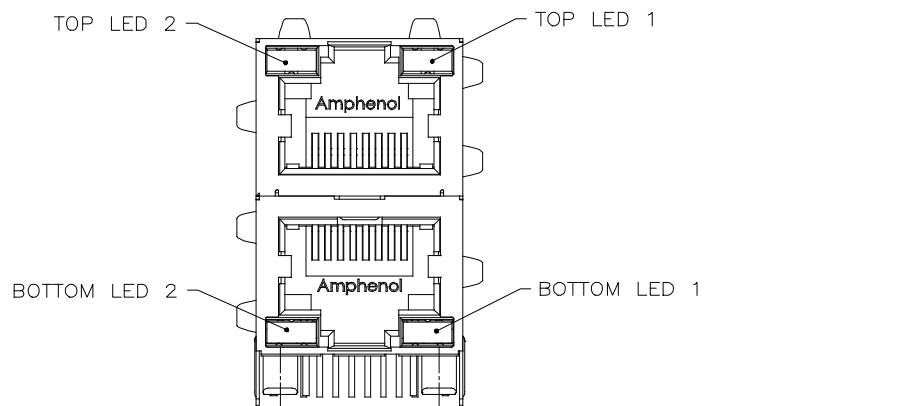
UNLESS OTHERWISE SPECIFIED, THE TOLERANCE IS ±0.015[±0.38]

**PART NUMBER:** RJSAE-X38X-A8X

GOLD PLATING OPTION: REFER TO LED OPTIONS DRAWING FOR ORDERING CODES  
 D=6u" GOLD PLATING  
 G=15u" GOLD PLATING  
 J=30u" GOLD PLATING  
 5=50u" GOLD PLATING



UNLESS SPECIFIED OTHERWISE	DRAWN HANSON.C JUN02/18	Amphenol Canada Corp. Commercial Products
PRIMARY UNITS INCHES	CHECKED AMY.Z JUN02/18	
SECONDARY MILLIMETERS	M.E. APP'D	
REFERENCE IN PARENTHESES	Q.A. APP'D	
1 DECIMAL PLACE	DWG APP'D	TITLE STACKABLE MULTI-PORT MODULAR JACK, 8 POS. 8 CONTACTS, 2 LEDS PER PORT, SHIELDED WITH SIDE TABS AND TOP TABS -RoHS COMPLIANT
2 DECIMAL PLACES	ENG. REL NO.	
3 DECIMAL PLACES ±0.015	REF.	
ANGULAR DEGREES ±1.5°	THIRD ANGLE PROJECTION	DWG NO. P-RJSAE-X38X-A8X
	DO NOT SCALE DRAWING	REV A
		CODE ID NO. 03554 DWG SIZE SCALE SHEET 1 OF 1



**EXAMPLE:1**  
PART NUMBER RJS AE-\*\*\*X-\*\*

SEE NOTE 2 → LED COLOR CODE

**EXAMPLE:2**  
PART NUMBER RJS AE-\*\*\*U-\*\*-XX

SEE NOTE 2 → SPECIAL CODE FOR TOP & BOTTOM LEDS CONFIGURATION  
SEE NOTE 2 → BOTTOM ASSY LED (SAME AS STD CODE)  
SEE NOTE 2 → TOP ASSY LED (SAME AS STD CODE)

CODE	LED 2 (LEFT)	LED 1 (RIGHT)	CODE	LED 2 (LEFT)	LED 1 (RIGHT)	CODE	LED 2 (LEFT)	LED 1 (RIGHT)
0	BLOCKED	BLOCKED	9	GREEN	BLOCKED	J	BIC RD/GR	YELLOW
1	YELLOW	GREEN	A	BIC GR/YE	BIC GR/YE	K	YELLOW	BIC GR/OR
2	BLOCKED	GREEN	B	BIC RD/GR	BIC RD/GR	L	BIC GR/YE	RED
3	YELLOW	BLOCKED	C	BIC RD/GR	BIC GR/YE	M	RED	YELLOW
4	GREEN	YELLOW	D	GREEN	BIC GR/YE	N	BIC GR/RD	BIC GR/YE
5	GREEN	GREEN	E	YELLOW	BIC GR/YE	P	GREEN	BIC RD/GR
6	YELLOW	YELLOW	F	BIC GR/YE	YELLOW	R	BIC GR/OR	GREEN
7	RED	GREEN	G	BIC GR/OR	BIC GR/OR	T	RED	RED
8	GREEN	RED	H	BIC GR/YE	GREEN	V	BIC RD/GR	GREEN
			W	ADDITIONAL OPTIONS				
			U	SPECIAL CODE FOR TOP & BOTTOM LEDS CONFIGURATION				

**EXAMPLE:3**  
PART NUMBER RJS AE-\*\*\*W-\*\*\*X

SEE NOTE 2 → ADDITIONAL LED COLOR CODE  
SEE NOTE 2 → DENOTES ADDITIONAL LED OPTIONS TO BE USED

CODE	LED 2 (LEFT)	LED 1 (RIGHT)	CODE	LED 2 (LEFT)	LED 1 (RIGHT)	CODE	LED 2 (LEFT)	LED 1 (RIGHT)
0	DO NOT USE		5	BLOCKED	YELLOW	A	LOWC YE	LOWC YE
1	RED	BLOCKED	6	RED	BIC RD/GR	B	LOWC YE	LOWC GR
2	BIC GR/OR	YELLOW	7			C	LOWC GR	LOWC YE
3	YELLOW	RED	8	BIC RD/GR	BLOCKED	D	LOWC GR	LOWC GR
4	BLOCKED	RED	9	BIC GR/YE	BLOCKED	M	LOWC RD	LOWC YE
						N	GREEN	BIC GR/OR
						E	GREEN	ORANGE
						F	ORANGE	GREEN
						G	BIC YE/GR	BIC YE/GR
						P	BIC RD/YE	GREEN
						R	BIC RD/YE	BIC RD/YE
						T	BIC GR/YE	BIC RD/GR
						H	BLUE	RED

**EXAMPLE:4**  
PART NUMBER RJS AE-\*\*\*X-\*\*\*XX\*

SEE NOTE 2 → LED COLOR CODE THE SAME AS EXAMPLE 1, 2, 3  
SEE NOTE 2 → LED COLOR CODE THE SAME AS EXAMPLE 1, 2, 3  
SEE NOTE 2

REVISIONS			
REV	DESCRIPTION, ECN, EAR NO.	DATE	APP'D
H	PROPOSAL	JUL 04/12	L.CHAN
J	PROPOSAL	MAR 03/14	L.CHAN
K	ADD NEW COLOR OPTION	FEB 09/17	L.CHAN

**LED SPECIFICATIONS:**  
FORWARD VOLTAGE: 2.1 VOLTS TYP.  
REVERSE VOLTAGE: 5.0 VOLTS MIN.  
LUMINOUS INTENSITY: 0.5 mCd MIN.  
(AT If=2mA)  
STORAGE TEMPERATURE: -20° TO 85° C  
PLATING ON TAILS: TIN OR TIN/COPPER ALLOY OVER SILVER

PRIMARY COLOR FOR BI-COLOR LEDS IN STANDARD ANODE/CATHODE CONFIGURATION IS:  
RED-GREEN= RED  
RED-YELLOW= RED  
GREEN-YELLOW= GREEN  
GREEN-ORANGE= GREEN

**LEGEND**  
BIC=BI-COLOR LED  
LOWC=LOW CURRENT LED  
YE=YELLOW  
GR=GREEN  
RD=RED  
OR=ORANGE



**NOTES:**  
1. THE TWO DIGITS PRECEDING THE ADDITIONAL LED CODE MUST BE USED IN THE PART NUMBER, WHEN ORDERING ANY OF THE ADDITIONAL LED OPTIONS.  
2. '\*' REPRESENT DIFFERENT OPTION OF CONNECTOR, DETAIL OPTION PLEASE SEE RELEVANT CONNECTOR DRAWING.

UNLESS SPECIFIED OTHERWISE	DRAWN	PAUL WANG	DATE	JUL 22/05	Amphenol Canada Corp. www.amphenolcanada.com
	PRIMARY UNITS	CHECKED	LAWRENCE C.	JUL 22/05	
SECONDARY	M.E. APP'D				TITLE
REFERENCE IN PARENTHESES	Q.A. APP'D				LED OPTIONS FOR RJS AE, MULTI-PORT CONNECTORS - RoHS COMPLIANT
GENERAL TOLERANCES	DWG APPR.				DWG. NO.
1 DECIMAL PLACE	ENG. REL. NO.				P-RJS AE-LEDS
2 DECIMAL PLACES	REF.				REV
3 DECIMAL PLACES	THIRD ANGLE PROJECTION				K
ANGULAR DEGREES	DO NOT SCALE DRAWING				CODE ID NO. 03554 DWG SIZE: C SCALE: N/A SHEET 1 OF 1