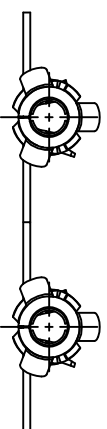
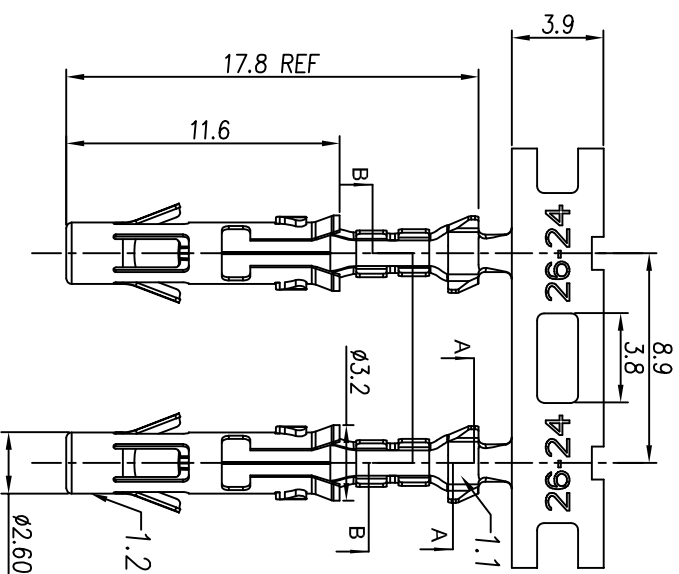
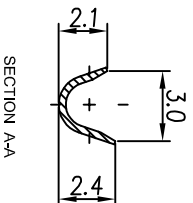
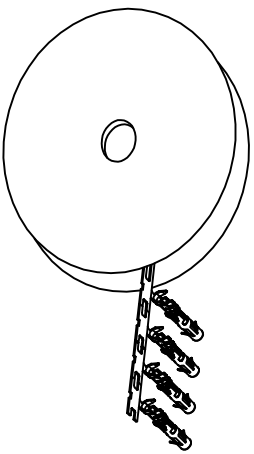


REVISIONS				
REV	ECO	DESCRIPTION	DATE	BY APPR
A1	-	RELEASED DRAWING	Jul-16-18	Flan Tommy



CONTACT ORIENTATION ON ROLL(3000PCS/COIL)

NOTES : (UNLESS OTHERWISE SPECIFIED)

1. MATERIAL :
  - 1.1. CONTACT BODY : COPPER ALLOY.
  - 1.2. OUTER SPRING : STAINLESS STEEL.
2. SPECIFICATIONS :
  - 2.1 CURRENT RATING : 13A MAX.
  - 2.2 TERMINATION TYPE : CRIMPING.
  - 2.3 WIRE RANGE : 26~24AWG.
  - 2.4 WIRE INSULATION DIA(MAX) :  $\phi$ 2.1mm.
3. ROHS COMPLIANT.
4. ALL DIMENSIONS ARE FOR REFERENCE USE ONLY.
5. AVAILABLE TOOLS :
  - 5.1 HAND CRIMPER : MFX-3954.
  - 5.2 CRIMP APPLICATOR : MFX-3957.
  - 5.3 EXTRACTION TOOL : QXRT16.

P/N	CONTACT PLATING(MATING AREA)
SS24M2T	TIN PLATING OVER NICKEL.
SS24M2N	NICKEL PLATING OVER COPPERIZE.
SS24M2F	GOLD FLASH PLATING OVER NICKEL.
SS24M2G5	5 $\mu$ "GOLD PLATING OVER NICKEL.
SS24M2G10	10 $\mu$ "GOLD PLATING OVER NICKEL.
SS24M2G15	15 $\mu$ "GOLD PLATING OVER NICKEL.
SS24M2G30	30 $\mu$ "GOLD PLATING OVER NICKEL.

QUANTITY	PART NUMBER	DESCRIPTION	ITEM
<b>MATERIALS LIST</b>			
UNLESS OTHERWISE SPECIFIED			
1) All dimensions are in millimeters.			
2) Tolerances are as follows:			
1 PL DEC 20.30	Fractions .1"=1/4	DATE	Jul-16-18
3 PL DEC 20.08	Angles 1°	CREATED:	Jul-16-18
3) Note reference =			
MATERIAL SPECIFICATIONS:		APPROVAL:	Tommy Jul-16-18
PROCESS SPECIFICATIONS:		CUSTOMER:	
NEXT ASSY:		TEST DRAWINGS SUPERSEDES:	
		SPECIFICATIONS AND PERFORMANCE DATA:	
		THE MANUFACTURING CORPORATION NO RIGHTS OF REPRODUCTION ARE GRANTED. ALL MANUFACTURING VARIATIONS:	
SCALE:	NONE	SIZE TYPE:	B C-
		DWG NO:	SS24M2XX
		REVISION:	A1
<b>Amphenol</b> Sine Systems - www.amphenol-sine.com 44724 Morley Drive Clinton Township, MI 48036 ECO-MATE SOCKET CONTACT, STAMPED,26-24AWG,SIZE 16			