



2.5V or 3.3V, 200-MHz 1:18 Clock Distribution Buffer

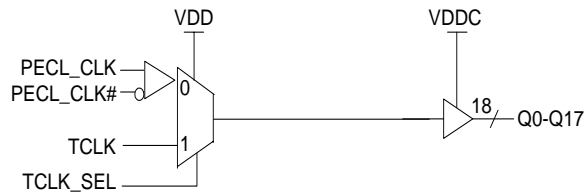
Features

- 200-MHz clock support
- LVPECL or LVCMOS/LVTTL clock input
- LVCMOS/LVTTL-compatible inputs
- 18 clock outputs: drive up to 36 clock lines
- 150 ps max. output-to-output skew
- 23Ω output impedance
- Dual or single supply operation:
 - 3.3V core and 3.3V outputs
 - 3.3V core and 2.5V outputs
 - 2.5V core and 2.5V outputs
- Pin-compatible with MPC940L, MPC9109
- Available in commercial and industrial temperature ranges
- 32-pin TQFP package

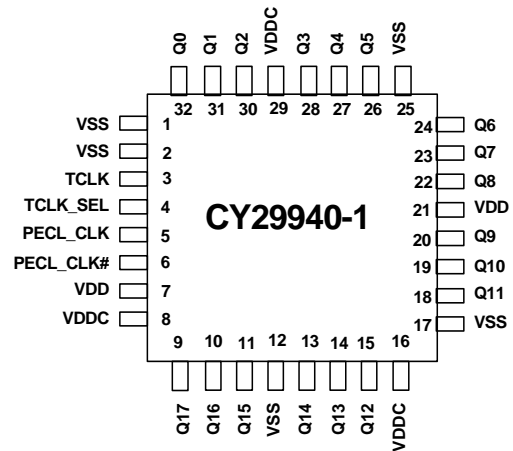
Description

The CY29940-1 is a low-voltage 200-MHz clock distribution buffer with the capability to select either a differential LVPECL- or a LVCMOS/LVTTL-compatible input clock. The two clock sources can be used to provide for a test clock as well as the primary system clock. All other control inputs are LVCMOS/LVTTL-compatible. The eighteen outputs are 2.5V or 3.3V LVCMOS/LVTTL-compatible and can drive 50Ω series or parallel terminated transmission lines. For series terminated transmission lines, each output can drive one or two traces giving the device an effective fanout of 1:36. Low output-to-output skews make the CY29940-1 an ideal clock distribution buffer for nested clock trees in the most demanding of synchronous systems.

Block Diagram



Pin Configuration



Pin Description^[1]

Pin	Name	PWR	I/O	Description
5	PECL_CLK		I, PU	PECL Input Clock
6	PECL_CLK#		I, PD	PECL Input Clock
3	TCLK		I, PD	External Reference/Test Clock Input
9, 10, 11, 13, 14, 15, 18, 19, 20, 22, 23, 24, 26, 27, 28, 30, 31, 32	Q(17:0)	VDDC	O	Clock Outputs
4	TCLK_SEL		I, PD	Clock Select Input. When LOW, PECL clock is selected and when HIGH TCLK is selected.
8, 16, 29	VDDC			3.3V or 2.5V Power Supply for Output Clock Buffers
7, 21	VDD			3.3V or 2.5V Power Supply
1, 2, 12, 17, 25	VSS			Common Ground

Note:

1. PD = Internal Pull-down; PU = Internal Pull-up.

Absolute Maximum Conditions

Maximum Input Voltage Relative to V_{SS} : $V_{SS} - 0.3V$
 Maximum Input Voltage Relative to V_{DD} : $V_{DD} + 0.3V$
 Storage Temperature: $-65^{\circ}C$ to $+150^{\circ}C$
 Operating Temperature: $-40^{\circ}C$ to $+85^{\circ}C$
 Maximum ESD Protection 2 kV
 Maximum Power Supply: 5.5V
 Maximum Input Current: ± 20 mA

This device contains circuitry to protect the inputs against damage due to high static voltages or electric field; however, precautions should be taken to avoid application of any voltage higher than the maximum rated voltages to this circuit. For proper operation, V_{in} and V_{out} should be constrained to the range:

$$V_{SS} < (V_{in} \text{ or } V_{out}) < V_{DD}$$

Unused inputs must always be tied to an appropriate logic voltage level (either V_{SS} or V_{DD}).

DC Electrical Specifications: $V_{DD} = 3.3V \pm 5\%$ or $2.5V \pm 5\%$, $V_{DDC} = 3.3V \pm 5\%$ or $2.5V \pm 5\%$

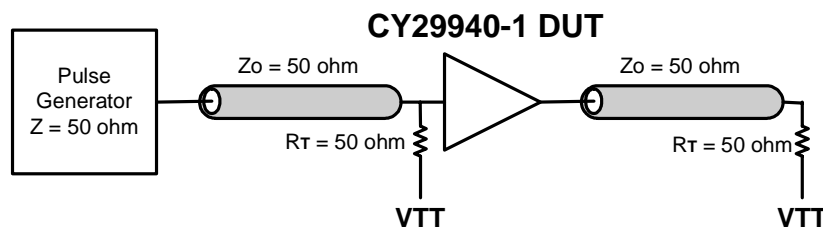
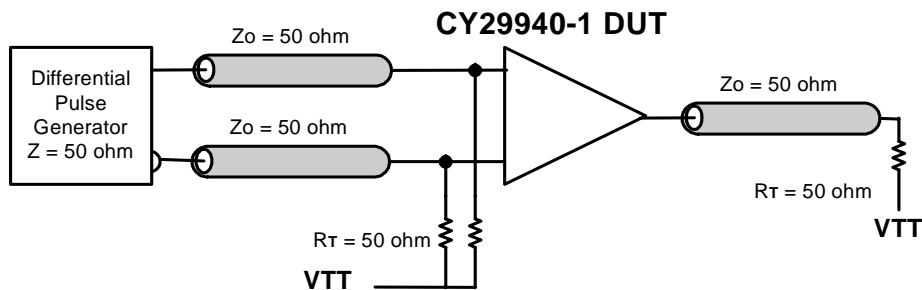
Parameter	Description	Conditions	Min.	Typ.	Max.	Unit
V_{IL}	Input Low Voltage		V_{SS}		0.8	V
V_{IH}	Input High Voltage		2.0		V_{DD}	V
I_{IL}	Input Low Current ^[2]				-200	μA
I_{IH}	Input High Current ^[2]				200	μA
V_{PP}	Peak-to-Peak Input Voltage PECL_CLK		500		1000	mV
V_{CMR}	Common Mode Range ^[3] PECL_CLK	$V_{DD} = 3.3V$	$V_{DD} - 1.4$		$V_{DD} - 0.6$	V
		$V_{DD} = 2.5V$	$V_{DD} - 1.0$		$V_{DD} - 0.6$	V
V_{OL}	Output Low Voltage ^[4,5,6]	$I_{OL} = 20$ mA, $V_{DDC} = 3.3V$			0.5	V
		$I_{OL} = 16$ mA, $V_{DDC} = 2.5V$				
V_{OH}	Output High Voltage ^[4,5,6]	$I_{OH} = -20$ mA, $V_{DDC} = 3.3V$	2.4			V
		$I_{OH} = -16$ mA, $V_{DDC} = 2.5V$	1.8			
I_{DDQ}	Quiescent Supply Current			5	7	mA
I_{DD}	Dynamic Supply Current	$V_{DD} = 3.3V$, Outputs @ 150 MHz, $CL=10$ pF		285		mA
		$V_{DD} = 3.3V$, Outputs @ 200 MHz, $CL=10$ pF		335		
		$V_{DD} = 2.5V$, Outputs @ 150 MHz, $CL=10$ pF		200		
		$V_{DD} = 2.5V$, Outputs @ 200 MHz, $CL=10$ pF		240		
Z_{out}	Output Impedance		18	23	28	Ω
C_{in}	Input Capacitance			4		pF

Notes:

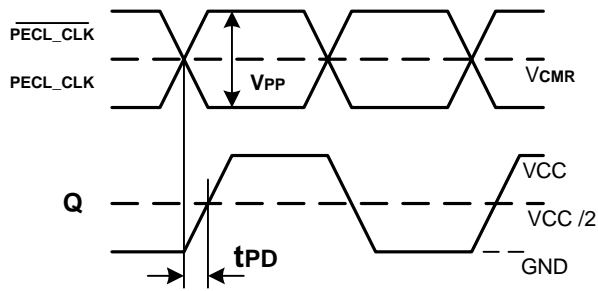
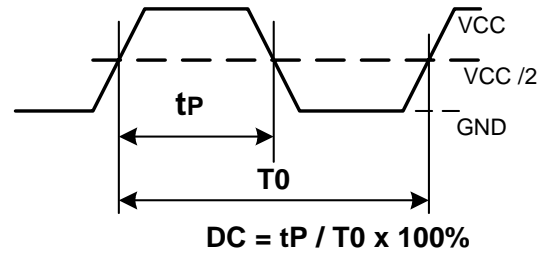
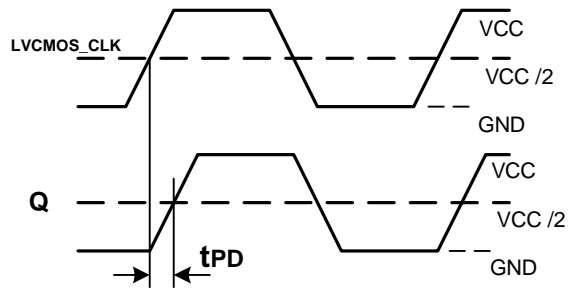
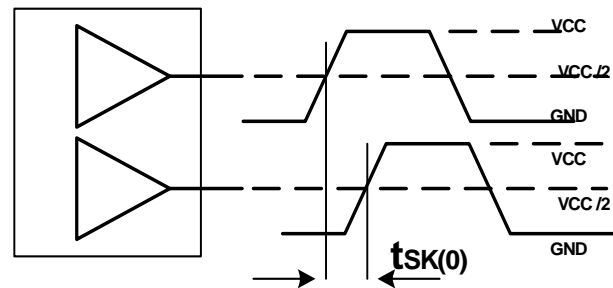
2. Inputs have pull-up/pull-down resistors that effect input current.
3. The V_{CMR} is the difference from the most positive side of the differential input signal. Normal operation is obtained when the "High" input is within the V_{CMR} range and the input lies within the V_{PP} specification. Driving series or parallel terminated 50 Ω (or 50 Ω to $V_{DD}/2$) transmission lines.
4. Outputs driving 50 Ω transmission lines.
5. See *Figure 1* and *Figure 2*.
6. 50% input duty cycle.

AC Electrical Specifications ($V_{DD} = 3.3V \pm 5\%$ or $2.5V \pm 5\%$, $V_{DDC} = 3.3V \pm 5\%$ or $2.5V \pm 5\%$)^[7]

Parameter	Description	Conditions	Min.	Typ.	Max.	Unit
F_{max}	Input Frequency	LVC MOS Input			200	MHz
		LVPECL Input			180	
T_{PD}	PECL_CLK to Q Delay ^[4,5,10] </ =150 MHz	$V_{DD} = 3.3V$	2.0		4.0	ns
		$V_{DD} = 2.5V$	2.6		5.2	
	LVC MOS to Q Delay ^[4,5,10] </ =150 MHz	$V_{DD} = 3.3V$	1.8		3.4	
		$V_{DD} = 2.5V$	2.3		4.0	
F_{outDC}	Output Duty Cycle ^[4,5,6]	FCLK < 134 MHz	45		55	%
		FCLK > 134 MHz	40		60	
T_{skew}	Output-to-Output Skew ^[4,5]				150	ps
$T_{skew(pp)}$	Part-to-Part Skew ^[8]	PECL, $V_{DDC} = 3.3V$			1.4	ns
		PECL, $V_{DDC} = 2.5V$			2.2	
$T_{skew(pp)}$	Part-to-Part Skew ^[8]	TCLK, $V_{DDC} = 3.3V$			1.2	ns
		TCLK, $V_{DDC} = 2.5V$			1.7	
$T_{skew(pp)}$	Part to Part Skew ^[9]	PECL_CLK			850	ps
		TCLK			750	
t_R/t_F	Output Clocks Rise/Fall Time ^[4,5]	0.7V to 2.0V, $V_{DDC} = 3.3V$	0.3		1.1	ns
		0.5V to 1.8V, $V_{DDC} = 2.5V$	0.3		1.3	


Figure 1. LVC MOS_CLK CY29940-1 Test Reference for $V_{CC} = 3.3V$ and $V_{CC} = 2.5V$

Figure 2. PECL_CLK CY29940-1 Test Reference for $V_{CC} = 3.3V$ and $V_{CC} = 2.5V$
Notes:

7. Parameters are guaranteed by design and characterization. Not 100% tested in production. All parameters specified with loaded outputs.
8. Across temperature and voltage ranges, includes output skew.
9. For a specific temperature and voltage, includes output skew.
10. Parameters tested @ 150 MHz.

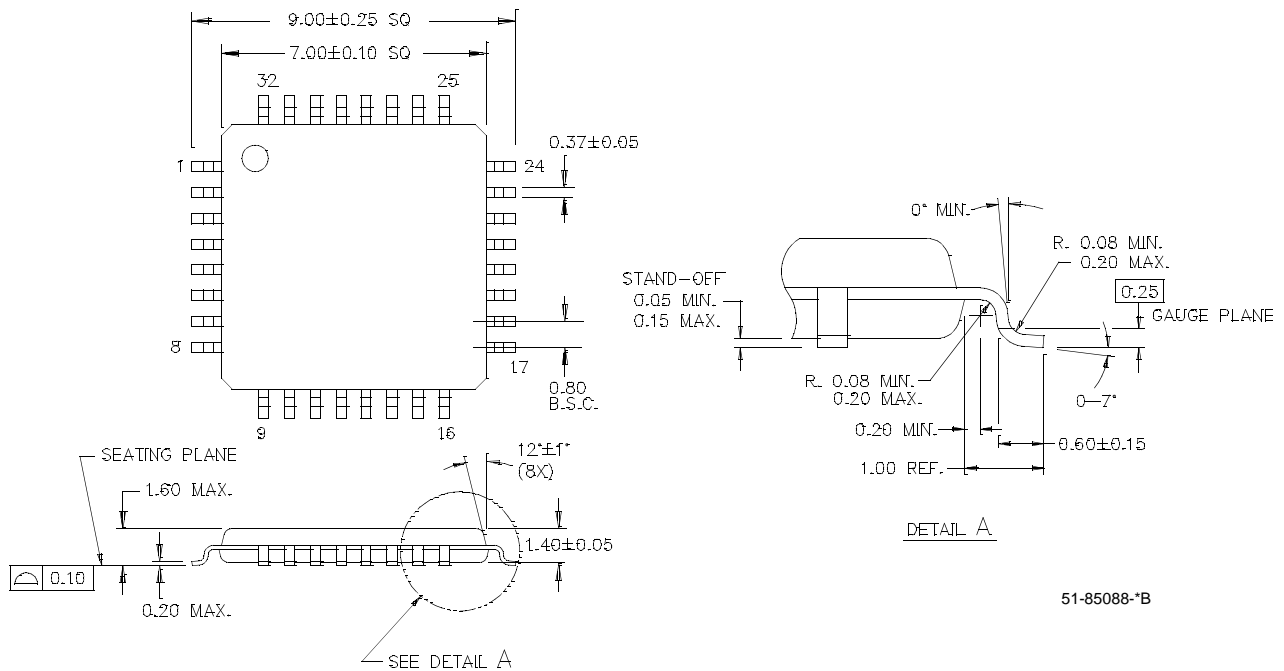

Figure 3. Propagation Delay (TPD) Test Reference

Figure 5. Output Duty Cycle (FoutDC)

Figure 4. LVCMOS Propagation Delay (TPD) Test Reference

Figure 6. Output-to-Output Skew tsk(0)

Ordering Information

Part Number	Package Type	Production Flow
CY29940AC-1	32-pin TQFP	Commercial, 0°C to 70°C
CY29940AC-1T	32-pin TQFP – Tape and Reel	Commercial, 0°C to 70°C
CY29940AI-1	32-pin TQFP	Industrial, -40°C to +85°C
CY29940AI-1T	32-pin TQFP – Tape and Reel	Industrial, -40°C to +85°C

Package Drawing and Dimensions

32-Lead Thin Plastic Quad Flatpack 7 x 7 x 1.4 mm A32.14



51-85088-B

All product and company names mentioned in this document are the trademarks of their respective holders.

Document History Page

Document Title: CY29940-1 2.5V or 3.3V, 200-MHz 1:18 Clock Distribution Buffer Document Number: 38-07487				
REV.	ECN NO.	Issue Date	Orig. of Change	Description of Change
**	119820	01/29/03	BRK	New Data Sheet