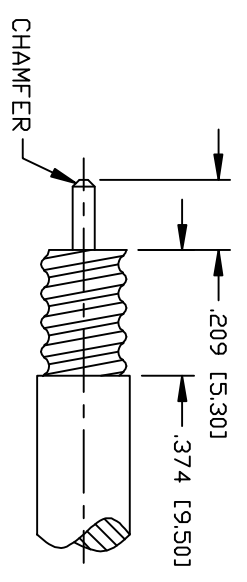
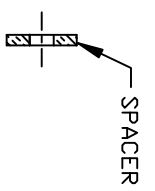
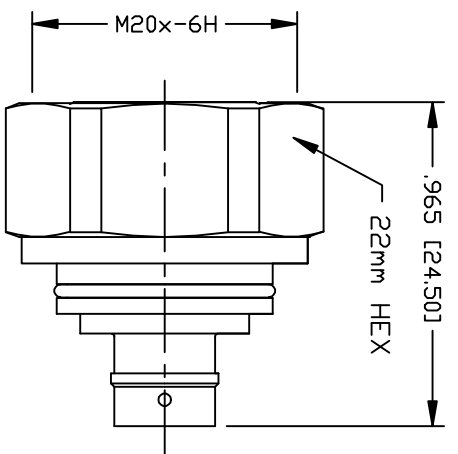


PART NO. **RFD-43MDCP-HPL**

REV	DESCRIPTION	DWN	DATE	APPROVED
-	REL	DW	10/15/20	JDM



RECOMMENDED STRIPING DIMENSIONS

USE COMPATIBLE TRIM TOOL SUCH AS MCPT-1412

SPECIFICATIONS:

INTERFACE: IEC61169-54
 IMPEDANCE: 50 Ohms
 FREQUENCY RANGE: 0-6 GHz
 INSERTION LOSS: -1 dB MAX
 RETURN LOSS: 31 dB DC-1000 MHz
 RETURN LOSS: 25 dB 1000-3000 MHz
 RETURN LOSS: 20 dB 3000-6000 MHz
 VSWR: <1.3:1 THRU 6 GHz
 3rd ORDER IM: ≤-161 dBc @ 700 MHz & 1900 MHz
 3rd ORDER IM TEST METHOD: 2x43 dBm CARRIERS
 DC TEST VOLTAGE: 2500 V @ SEA LEVEL
 INSULATION RESISTANCE: 5000 MΩ
 TEMPERATURE RANGE: -55°C TO 90°C
 COUPLING TORQUE: ≥ 3.7 FT-LB (≥5 Nm)
 MATING CYCLES: >100
 NET WEIGHT: 0.075 lb
 CERTIFICATIONS: RoHS
 ENVIRONMENTAL: IP68 MATED

USED ON: SPP-250-LLPP, SPO-250, SCF14-50J, SPF-250, FSJ1-50A, SCF14-50J, PTS1-50-P, TFT-401, EC1-50-HF

#	DESCRIPTION	QTY	MATERIAL	FINISH
7	COUPLING NUT	1	BRASS	CUSnZn ALLOY
6	RETAINING RING	1	ALLOY STEEL	CUSnZn ALLOY
5	O-RING	1	SILICONE RUBBER	RED
4	SPACER	1	PIFE	NATURAL
3	INSULATOR	1	PIFE	NATURAL
2	CENTER CONDUCTOR	1	PHOSPHOR B.	SILVER
1	BODY	1	BRASS	CUSnZn ALLOY

CUSTOMER OUTLINE DRAWING
 ALL DIMENSIONS ARE IN INCHES
 UNLESS OTHERWISE SPECIFIED DIMENSIONS ARE IN MILLIMETERS
 ARE REFERENCE ONLY

BRANN C. ZUNIGA
 CHECKED
 GRD DRAWN DAVID M.
 2/10/20

PROPRIETARY AND CONFIDENTIAL
 THIS DRAWING CONTAINS INFORMATION PROPRIETARY TO RF INDUSTRIES. ANY UNAUTHORIZED USE OF THIS DRAWING IS EXPRESSLY PROHIBITED WITHOUT WRITTEN PERMISSION FROM RF INDUSTRIES. ANY VIOLATION IS PUNISHABLE UNDER U.S. COPYRIGHT LAWS.

RF Industries
 DIVISION OF RF INDUSTRIES, LTD. (858) 549-6345 FAX
 7610 MIRAMAR RD. SAN DIEGO, CA 92126 (858) 549-6340

4.3/10 MALE
 CAPTIVATED CONTACT, DIRECT SOLDER

SCALE: NTS	ENGINEERING ID: 2000055	SHEET 1 OF 1
SIZE: A	CABLE GROUP: HPL	DWG NO: RFD-43MDCP-HPL
REVISION: —		