



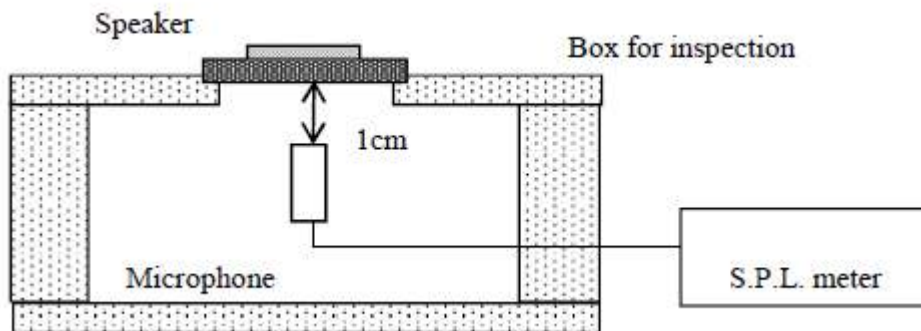
Data Sheet

SMS-2030MS

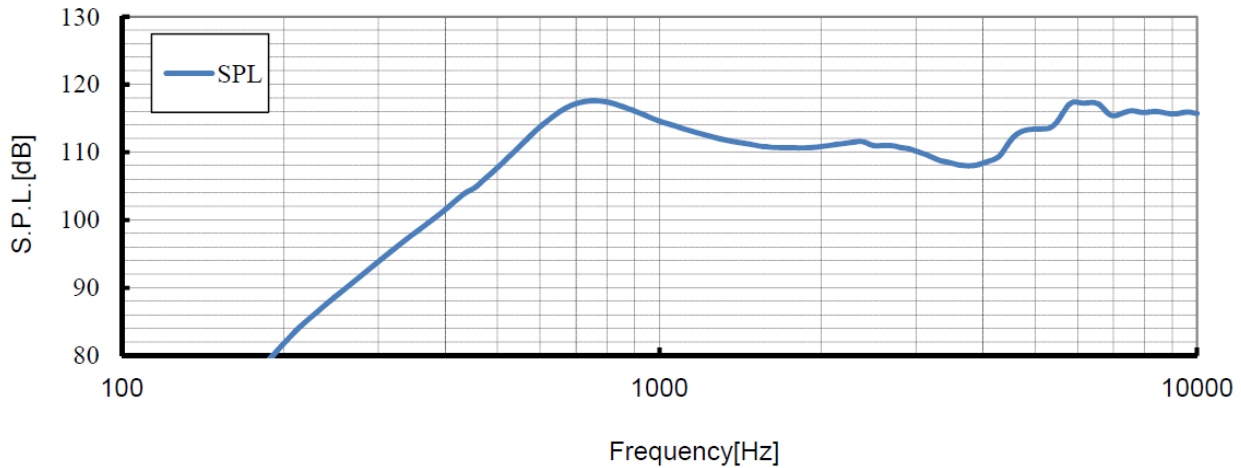
Specifications

Parameters	Values	Units
Rated Input Power	0.5	Watts
Max Input Power	0.8	Watts
Impedance	$30 \pm 20\%$	Ohms
Output SPL (@ 1k, 1.6k, 2k, 3.2 kHz; 0.5W, 10cm)	91 ± 3	dB
Resonant Frequency (list condition if applicable)	760 ± 100	Hz
Frequency Range	760 ~ 10,000	Hz
THD	>5%	
Diaphragm Material	PI	-
Weight	3	Grams
Environmental Compliances	ROHS/REACH	-
Storage Temperature	-40 ~ 120	°C
Operating Temperature	-40 ~ 105	°C

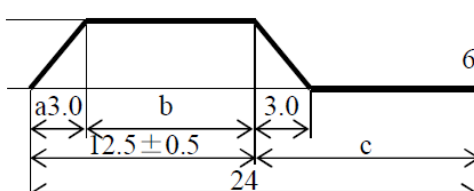
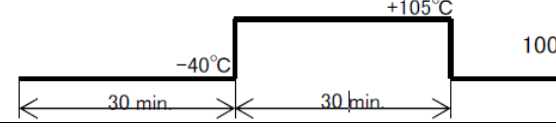
Measurement Method



Typical Frequency Response (0.5W, 1cm)

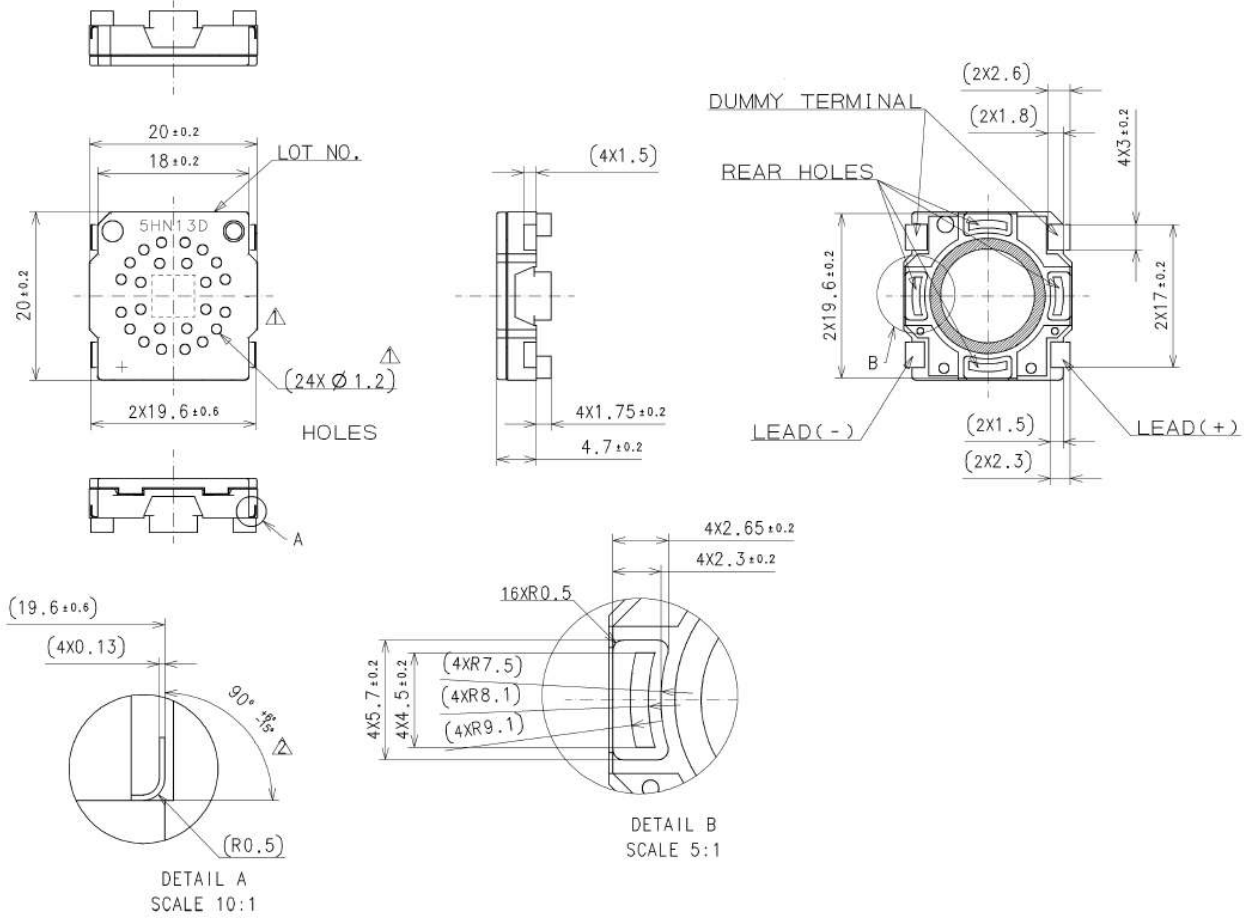


Reliability Testing

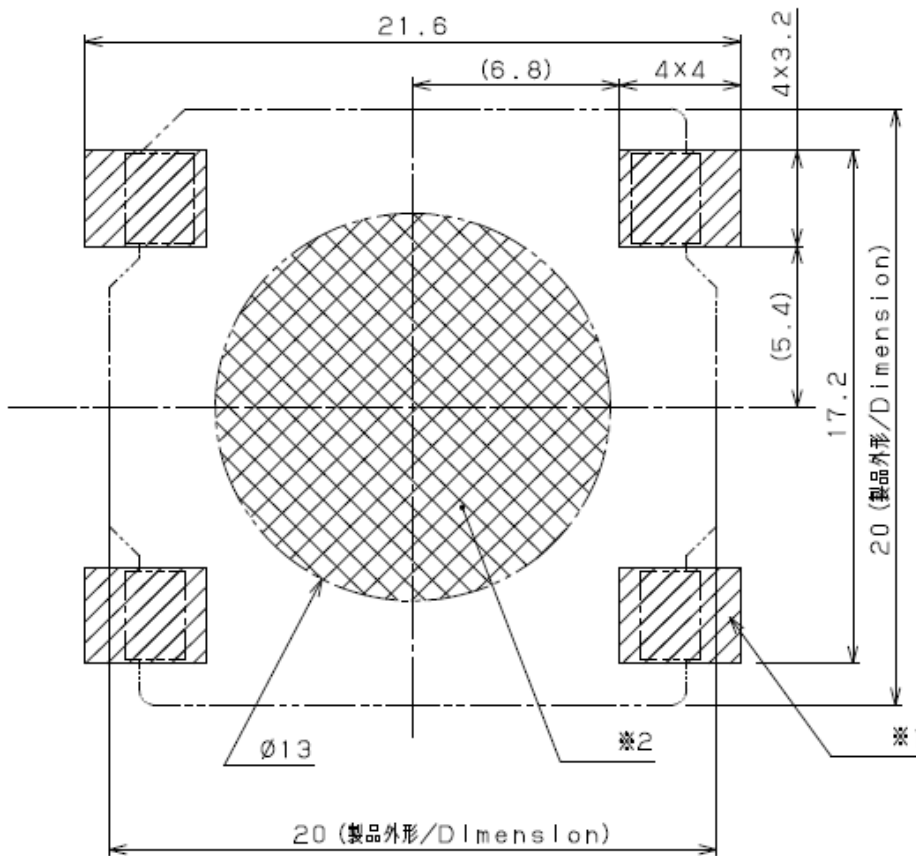
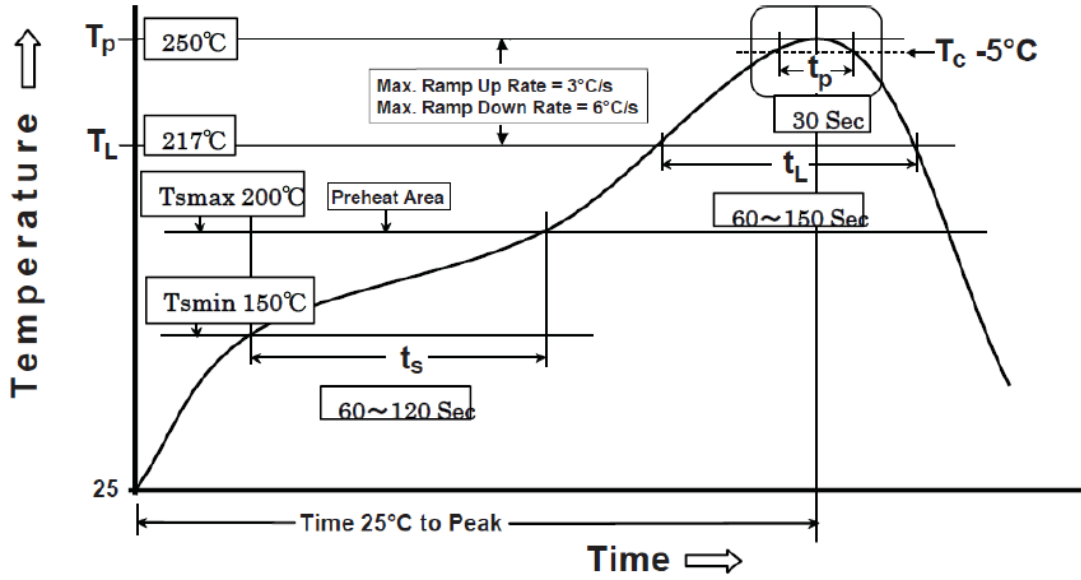
Type of Test	Test Specifications
High Temperature Test	1000 hours at 120°C
Low Temperature Test	1000 hours at -40°C
Temperature Humidity Cycle Testing	Run for 6 cycles with each cycle consisting of:  a,c: 95~100%RH b: 90~96%RH Unit:hours
Vibration Test	10-200-10 Hz Sine wave, Sweep for 15 min, 49m/s ² (5G) Constant 3 directions (X, Y, Z), 2 hrs each, Total 6 hrs
Shock Test	-40°C/30min—+105°C/30minを1サイクルとし、1000サイクル実施 
Drop Test	Fix onto exclusive tool, drop on concrete surface, height 100cm; all 6 surfaces, 5 time each, total 30 times

After each test the part shall be within $\pm 3\text{dB}$ of initial SPL.

Dimensions



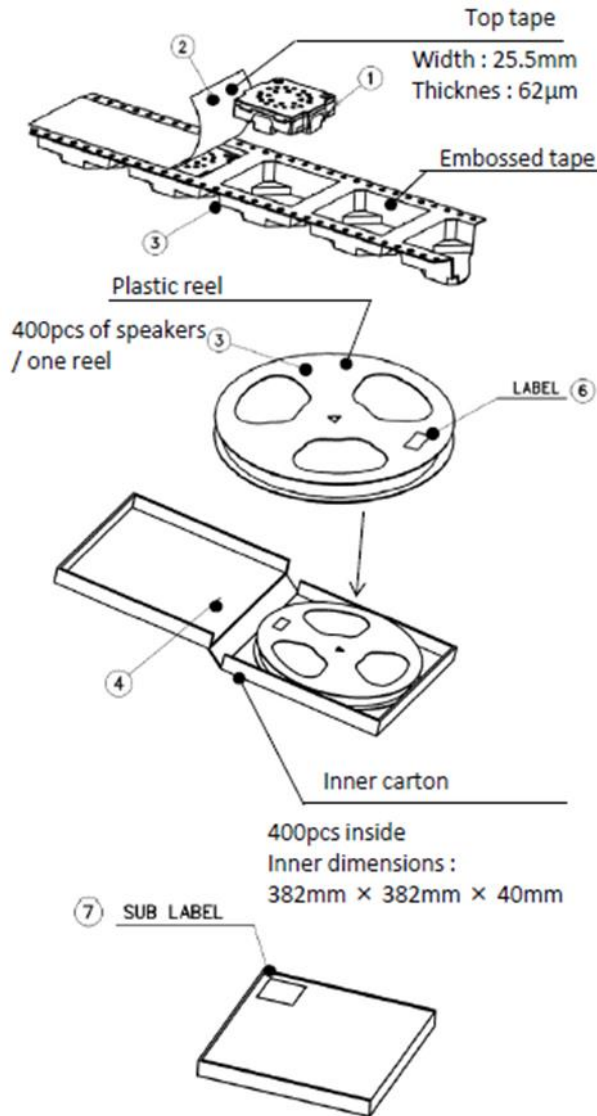
Suggested Land Pattern*

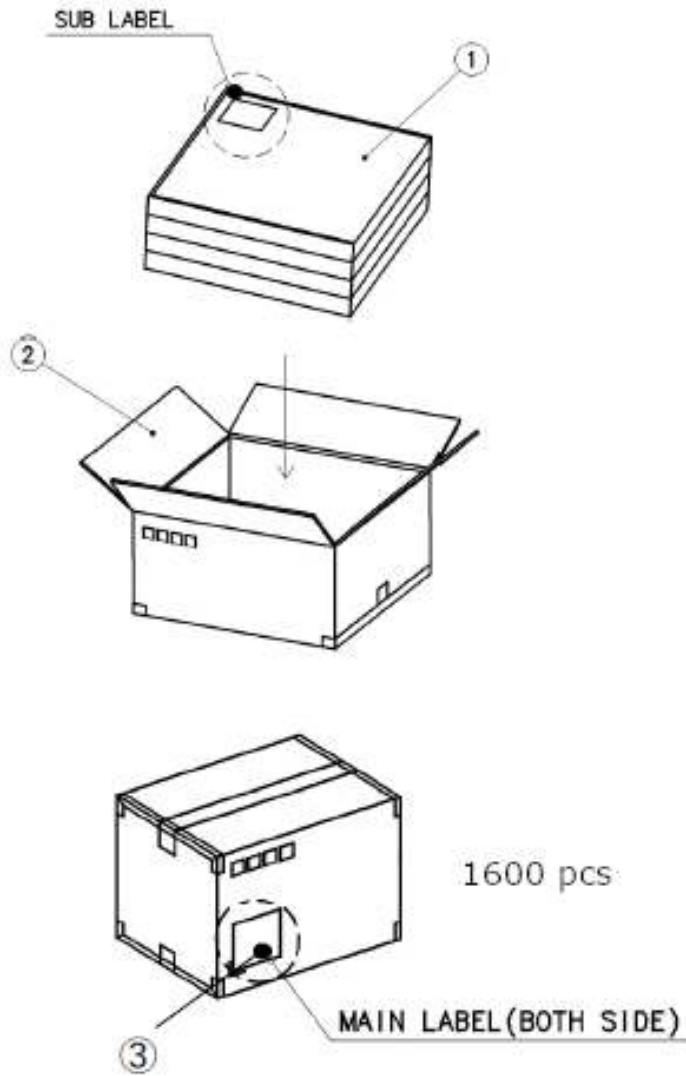


*This land pattern is advisory only and its use or adaptation is entirely voluntary.

PUI Audio disclaims all liability of any kind associated with the use, application, or adaptation of this land pattern.

Packaging





Specifications Revisions

Revision	Description	Date
A	Released from Engineering	

Note:

1. Unless otherwise specified:
 - A. All dimensions are in millimeters.
 - B. Default tolerances are $\pm 0.5\text{mm}$ and angles are $\pm 3^\circ$.
2. Specifications subject to change or withdrawal without notice.