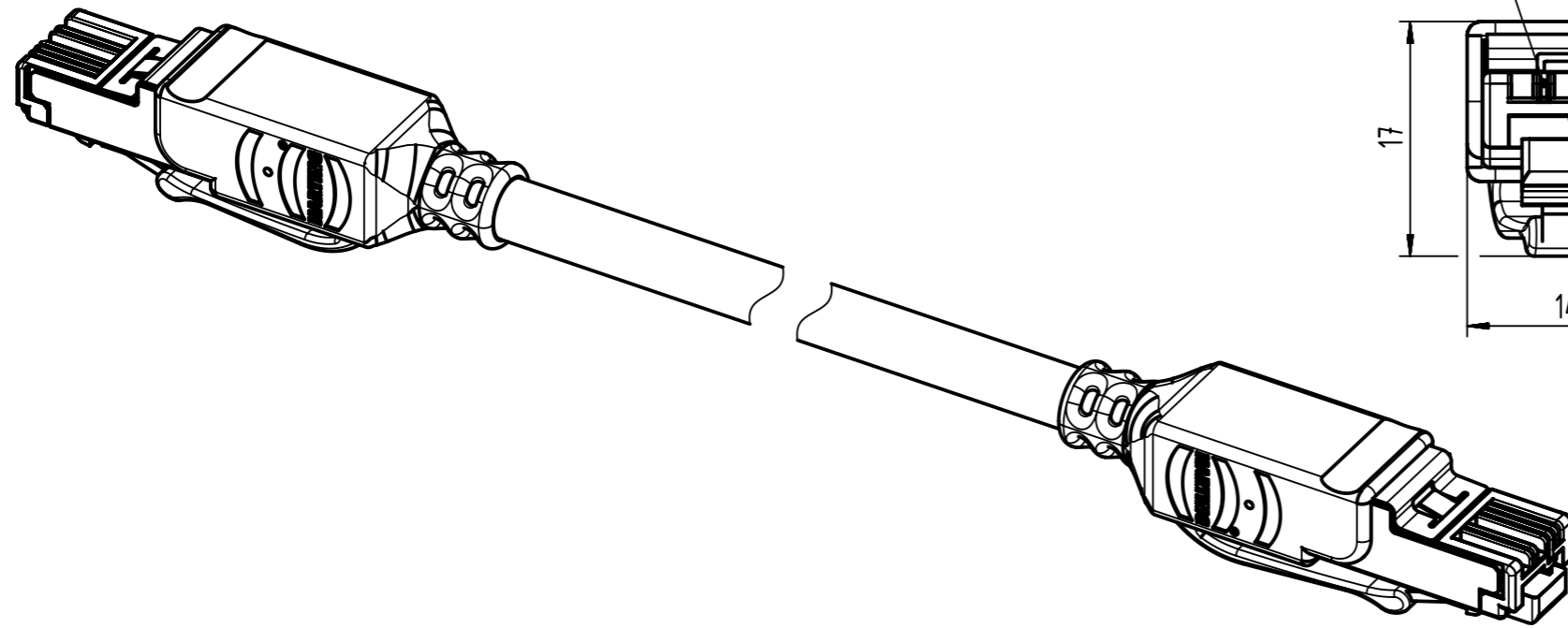
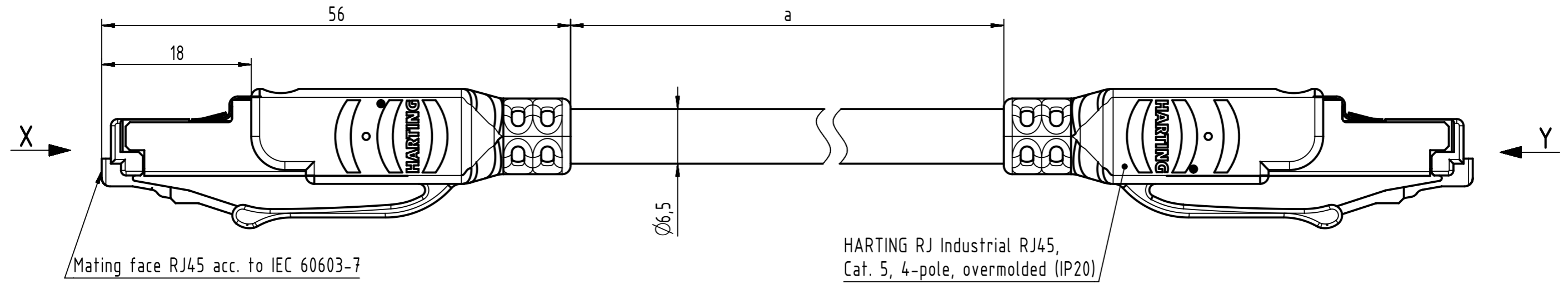


Connector Location A

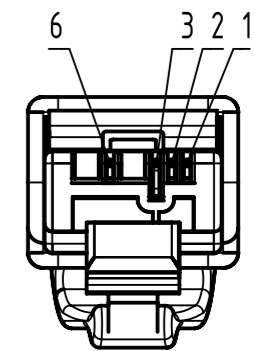
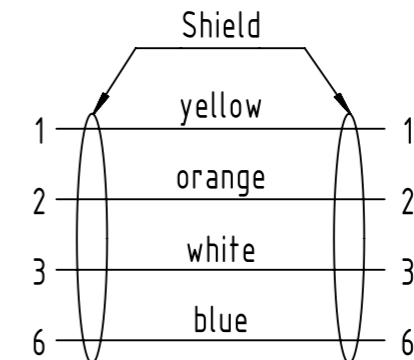
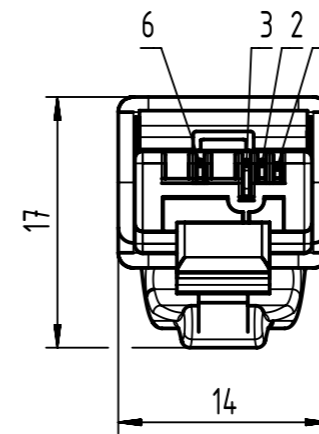
Connector Location B



X
male

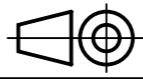

Y
male

Loading-Plan:



- Temperature range: -40°C ... +70°C

	All rights reserved		Tech. Character.		Free size tol.		According to production drawing		
	Department HCS - RO		Created by COSTEA	Inspected by STOCHECIC	Standardisation MUNTEANV	Date 2018-09-13	State Final Release		
HARTING Customised Solutions D-32339 Espelkamp		Title RJ Industrial PROFINET cable assembly					Doc-Key / ECM-Nr. 100081054/UGD/051/G 500000139970		
		Type TB	Number 0945771XXXX			Rev. G	Page 1/3		

1	2	3	4	5	6	7	8				
				RJ Ethernet stranded cable, 4xAWG22/7, PVC, Cat. 5+, green							
52	09457711161		100								
51	09457711160		90								
50	09457711159		80								
49	09457711158		70								
48	09457711157		60								
47	09457711156		50								
46	09457711155		40								
45	09457711154		30								
44	09457711153		20								
43	09457711152		15								
42	09457711132		13								
41	09457711151		10								
40	09457711131		9								
39	09457711130		8								
38	09457711129		7								
37	09457711128		6								
36	09457711127		5								
35	09457711136		4.5								
34	09457711126		4								
33	09457711135		3.5								
32	09457711125		3								
31	09457711140		2.2								
30	09457711124		2								
29	09457711139		1.8								
28	09457711123		1.5								
27	09457711122		1								
26	09457711138		0.9								
25	09457711121		0.5								
24	09457711134		0.3								
23	09457711137		0.15								
Cont. no.	Part no.	Type of cable	Dim. a[m]								
 All Dimensions in mm				Tech. Character.		Free size tol.		According to production drawing			
 All rights reserved Department HCS - RO		Created by COSTEA		Inspected by STOCHECIC		Standardisation MUNTEANV		Date 2018-09-13	State Final Release		
HARTING Customised Solutions D-32339 Espelkamp		Title RJ Industrial PROFINET cable assembly				Doc-Key / ECM-Nr. 100081054/UGD/051/G 500000139970		Rev. G		Page 2/3	
		Type TB		Number 0945771XXXX							
22	09457710061	RJ Ethernet standard cable, AWG22/1, 2x2x0.64, PVC, Cat. 5+, green	100								
21	09457710060		90								
20	09457710059		80								
19	09457710058		70								
18	09457710057		60								
17	09457710056		50								
16	09457710055		40								
15	09457710054		30								
14	09457710053		20								
13	09457710052		15								
12	09457710051		10								
11	09457710031		9								
10	09457710030		8								
9	09457710029		7								
8	09457710028		6								
7	09457710027		5								
6	09457710026		4								
5	09457710025		3								
4	09457710024		2								
3	09457710023		1.5								
2	09457710022		1								
1	09457710021		0.5								
Cont. no.	Part no.	Type of cable	Dim. a[m]								

	1	2	3	4	5	6	7	8
A								
B	81	09457711183	RJ45 Ethernet trailing cable, AWG22/7, 2x2x0.75, PUR, Cat. 5+, green	100				
	80	09457711182		90				
	79	09457711181		80				
	78	09457711180		70				
	77	09457711179		60				
	76	09457711187		55				
	75	09457711178		50				
C	74	09457711177		40				
	73	09457711176		30				
	72	09457711175		20				
	71	09457711186		18				
	70	09457711174		15				
	69	09457711188		14				
	68	09457711189		12				
D	67	09457711173		10				
	66	09457711172		9				
	65	09457711171		8				
	64	09457711170		7				
	63	09457711169		6				
	62	09457711168		5				
	61	09457711167	4					
E	60	09457711166	3					
	59	09457711190	2.3					
	58	09457711165	2					
	57	09457711164	1.5					
	56	09457711163	1					
	55	09457711185	0.6					
	54	09457711162	0.5					
	53	09457711184	0.3					
F	Cont. no.	Part no.	Type of cable	Dim. a[m]				

	All rights reserved		Created by COSTEA		Inspected by STOCHECIC		Standardisation MUNTEANV		Date 2018-09-13		State Final Release	
	Department HCS - RO		Title RJ Industrial PROFINET cable assembly						Doc-Key / ECM-Nr. 100081054/UGD/051/G 500000139970			
HARTING Customised Solutions D-32339 Espelkamp			Type TB		Number 0945771XXXX				Rev. G		Page 3/3	