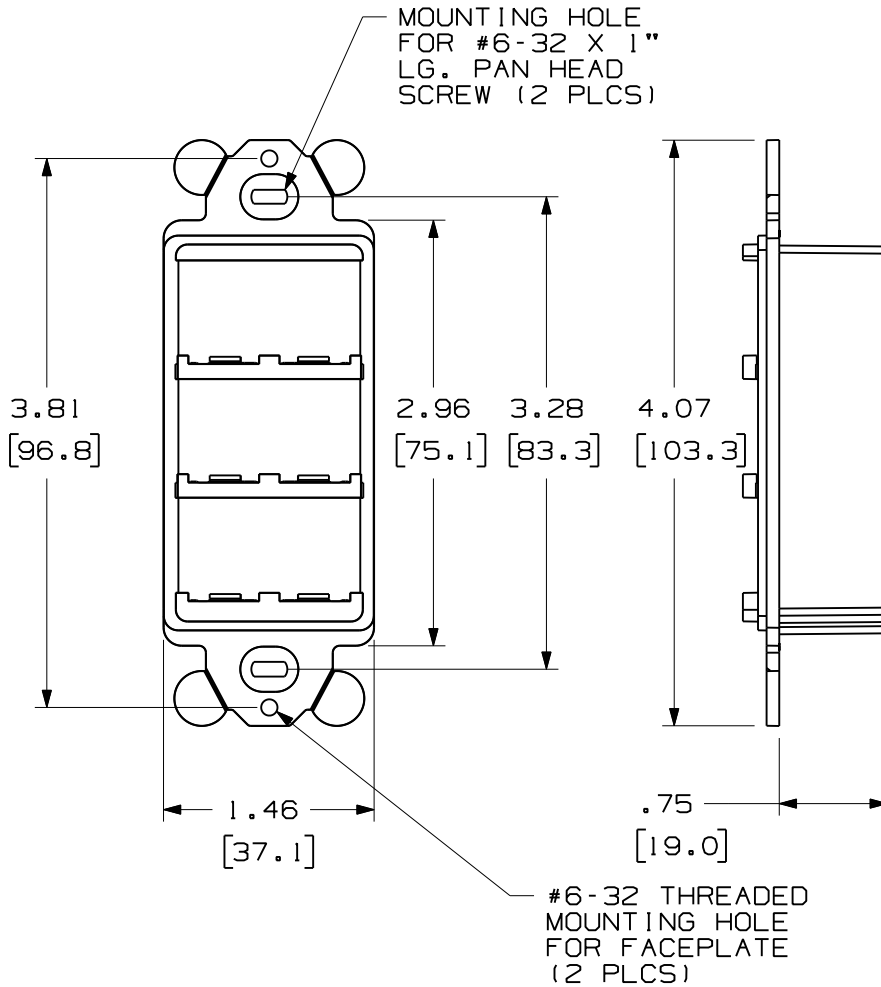


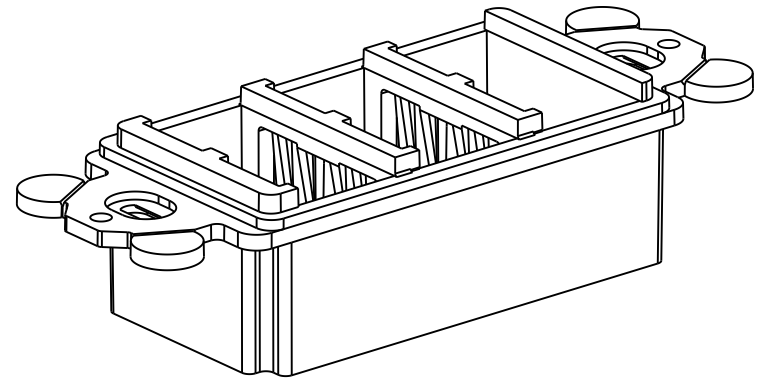
THIS COPY IS PROVIDED ON A RESTRICTED BASIS AND IS NOT TO BE USED IN ANY WAY DETRIMENTAL TO THE INTERESTS OF PANDUIT CORP.

PANDUIT P/N	WEIGHT
CFG6**	.41 LB/10 PCS [ 184.0 g/10 PCS ]



NOTES:

1. SEE CURRENT CATALOG FOR ADDITIONAL PART NUMBER SUFFIXES TO INDICATE COLOR AND/OR PACKAGE QUANTITY.
2. SEE CATALOG FOR COMPLETE LIST OF PARTS APPLICABLE FOR USE WITH THIS PART.
3. DIMENSIONS IN PARENTHESES ARE IN METRIC.
4. (2) #6-32 X 1" PAN HEAD SCREWS ARE SUPPLIED



PART NUMBER	CFG6**	PRODUCT SPEC/PKG SPEC	N/A
I.T. NUMBER	N/A	WORK INSTRUCTION	N/A
TITLE			
<b>MINI-COM "GFCI" MODULE FRAME SIX POSITION</b>			
CUSTOMER DRAWING			
ITEM REVISION NAME	M00021DJ/06.PRT		
DATASET FILE NAME	M00021DJ_DC07/06B.PRT		
UNLESS OTHERWISE SPECIFIED, DIMENSIONAL TOLERANCES ARE: IN (mm)			
.x : .1 [ 2.54 ]      .xxx : .005 [ .127 ] .xx : .01 [ .25 ]      ANGLES : 5 °			
THIRD ANGLE PROJECTION			DRAWING NUMBER:
			<b>00021-07</b>
DRAWN BY	DATE	CHK	SCALE
BJN	8-26-11	JSP	NONE
SHT 1 OF 1			<b>A</b>

REV	DATE	BY	CHK	APR	DESCRIPTION	ECN
2	11-6-12	BJN	JSP	JSP	B. UPDATED DRAWING FORMAT TO REFLECT NEW LOGO	00021-07
1	11-1-11	BJN	JSP	JSP	A. UPDATED MODEL TO REV 06	00021-07
R	8-26-11	BJN	JSP	JSP	RELEASED TO PRODUCTION	00021-07