

■ Features

- Single output from 24W
- 100-240Vac Universal Input
- Raintight
- Frequency: 50-60Hz
- Ripple: 120mV
- SCP, OVP & OCP
- Input Plug: US, AU, EU, UK
- Class 2 Power
- IP44
- Efficiency Level: VI
- Case Dimensions: 88.5x47.5x32mm (excluding plug)



*Product images are for illustrative purposes only and may vary from actual design.

■ Application

- Dry, Wet, and Damp locations
- Commercial and Industrial equipment

■ Model List

Custom Designs Available!

Model	Output Voltage	Output Current	Power	Certifications
WM024R-050-X-WA-XX	5V	4.8A	24W	UL, CE
WM024R-060-X-WA-XX	6V	4A	24W	UL, CE
WM024R-070-X-WA-XX	7V	3.42A	24W	UL, CE
WM024R-090-X-WA-XX	9V	2.6A	24W	UL, CE
WM024R-120-X-WA-XX	12V	2A	24W	UL, CE
WM024R-150-X-WA-XX	15V	1.6A	24W	UL, CE
WM024R-180-X-WA-XX	18V	1.3A	24W	UL, CE
WM024R-240-X-WA-XX	24V	1A	24W	UL, CE

■ Technical Data

Input Voltage	100-240Vac
Input Frequency	50/60Hz
Input Current	0.6A max
Inrush Current	40A @25°C cold start at 132Vac
Leakage Current	0.25mA Max. at 132Vac input
Line Regulation	±1%
Load Regulation	±5%
Ripple and Noise	120mVp-p
Turn on delay time	3S
Rise time	40mS
Hold up time	5mS

Technical Sales / Customer Service: +1-818-338-7788 • Email: sales@autec.com
 31328 Via Colinas Suite 102 • Westlake Village, CA 91362 USA • www.autec.com

June 25, 2019

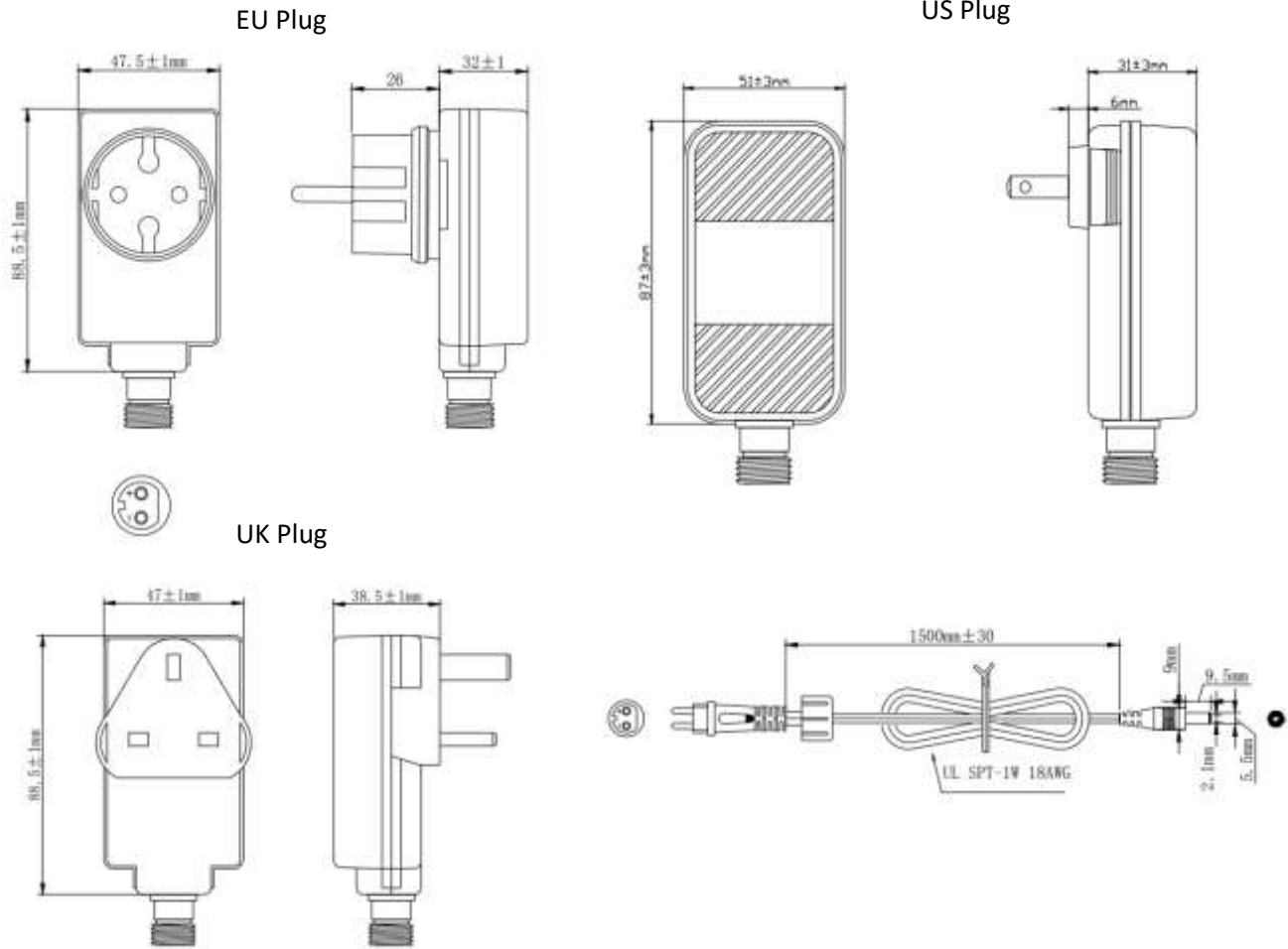
■ **Technical Data(cont.)**

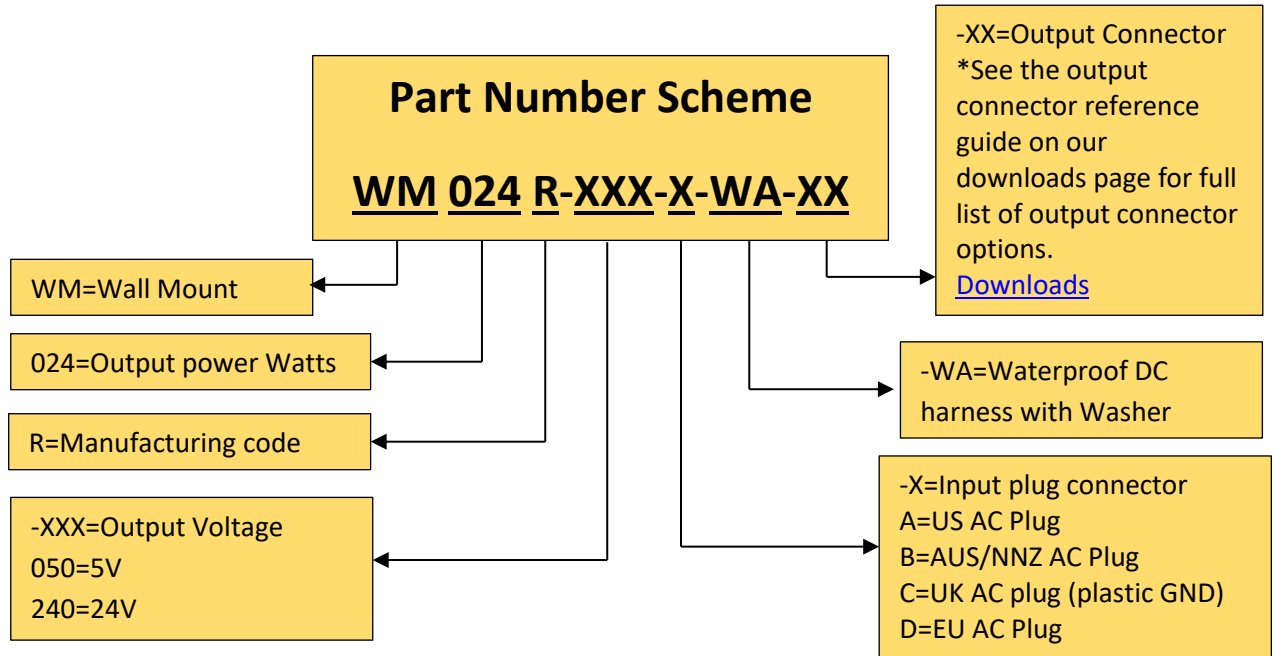
Efficiency	86%; Level VI
Short Circuit Protection	Auto recovery when short circuit fault is removed
Over Current Protection	Auto recovery when short circuit fault is removed
Over Voltage Protection	120%~170%, Auto recovery when short circuit fault is removed
Operating Temperature	0°C to +40°C, Full load
Storage Temperature	-10°C to +80°C
Operating Relative Humidity	5%RH to 90%RH
Storage Relative Humidity	5%RH to 90%RH
Vibration	IEC 721-3-3 3M3
MTBF	50,000 hours(MIL-HDBK-217F)
Dimensions LxWxH	88.5x47.5x32mm

■ **Safety and EMI Standard**

Safety	IEC/EN61347-2-13
Dielectric Strength Hi-Pot:	Primary to secondary: 3000Vac, 5mA/3S.
Insulation resistance Primary to secondary	10MΩ min at 500Vdc from primary to secondary
EMI Standard	EN55015 FCC part 15

■ Mechanical Diagram





*Product images are for illustrative purposes only and may vary from actual design.

*Specifications are subject to change without notice. Autec is not responsible for issues arising from errors or omissions.