

MATERIAL NUMBER	OLD PART NUMBER	FINISHED LENGTH
1300250048	DN11A-M003	0.3M
1300250051	DN11A-M005	0.5M
1300250054	DN11A-M010	1.0M
1300250061	DN11A-M020	2.0M
1300250067	DN11A-M030	3.0M

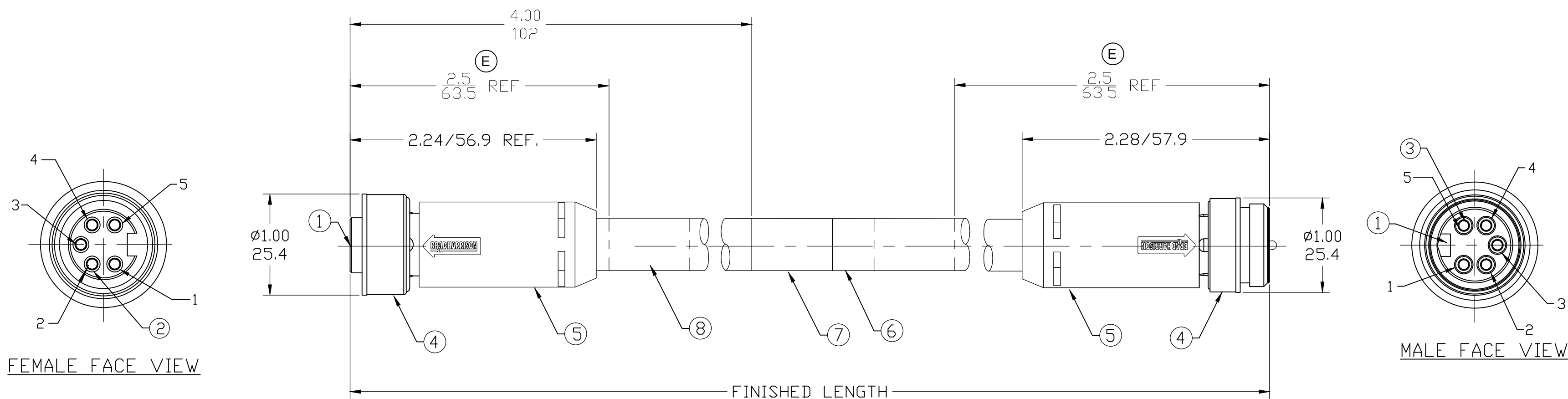
### PART NUMBER LEGEND

DN11A-M003H

FINISHED LENGTH: M005= 0.5 METER  
M010= 1 METER  
M100= 10 METER

ID CARRIER  
H - SEE NOTE 9  
BLANK - NO ID CARRIER

CABLE LENGTH TOLERANCES	
>.3M [1FT]:	+19mm-0 [+ .75in-0]
.3 - .9M [1 - 3FT]:	+44.5mm-0 [+1.75in-0]
.9 - 1.8M [3 - 6FT]:	+55.6mm-0 [+2.19in-0]
1.8 - 3.7M [6 - 12FT]:	+88.9mm-0 [+3.50in-0]
3.7 - 7.3M [12 - 24FT]:	+165.1mm-0 [+6.50in-0]
7.3-14.6M [24 - 48FT]:	+317.5mm-0 [+12.50in-0]
14.6 - 30.5M [48-100FT]:	+622.3mm-0 [+24.50in-0]
OVER 30M [100FT]	+2% OF FINISHED LENGTH



#### SCHEMATIC

- 1 - DRAIN
- 2 - V+
- 3 - V-
- 4 - CAN\_H
- 5 - CAN\_L

#### NOTES:

- MATERIAL: AS NOTED
- FINISH: AS NOTED
- ELECTRICAL:  
VOLTAGE RATING PER IEC 60664: 300V  
VOLTAGE RATING PER UL: 300V  
CURRENT: 8A
- TEMP RATING: -25° TO +80°C
- PROTECTION: IP67 (WHEN MATED)
- COUPLING THREAD: 7/8-16
- AGENCY:  
UL RECOGNIZED, FILE: E152210  
CSA CERTIFICATION FILE: LR6837
- ALL DIMS ARE FOR REFERENCE UNLESS NOTED OTHERWISE
- PART NUMBERS WITH "H" HAVE TWO ID MARKERS ONE ON EACH END

ITEM	COMPONENT	MATERIAL	FINISH
1	INSERTS	PVC	GRAY
2	CONTACT SOCKET	COPPER ALLOY	GOLD OVER NICKEL
3	CONTACT PIN	COPPER ALLOY	GOLD OVER NICKEL
4	COUPLING NUTS	ZINC DIE CAST	BLACK E-COATED
5	OVERMOLDS	PVC	GRAY
6	CABLE-DEVICENET THICK CABLE 2/15 & 2/18 SHIELD PAIR	PVC	GRAY
7	LABEL	VINYL	BLACK/YELLOW
8	ID CARRIER	PVC	CLEAR

ADD ID MARKERS EC NO: IFC2018-0458 DRWN: MZIELINS 2018/04/10 CHKD: --- APPR: BWOODMAN	QUALITY SYMBOL	GENERAL TOLERANCES (UNLESS SPECIFIED)	DIMENSION STYLE INCH/MM	SCALE --	DESIGN UNITS INCH	THIRD ANGLE PROJECTION	
	▽=0 ∇=0	4 PLACES ±--- ±--- 3 PLACES ±--- ±--- 2 PLACES ±--- ±--- 1 PLACE ±--- ±---	mm INCH	DRAWN BY TWOLDEGE DATE 2011/05/26	TITLE MINI CHANGE 5P M/MFE DEVICENET CORDSET		
		ANGULAR ±---°	DRAFT WHERE APPLICABLE MUST REMAIN WITHIN DIMENSIONS	CHECKED BY VOU DATE ---	APPROVED BY --- DATE ---	MOLEX MOLEX INCORPORATED	
			SEE CHART	MATERIAL NO. ---	DOCUMENT NO. SD-130025-001	SHEET NO. 1 OF 1	
			SIZE C	THIS DRAWING CONTAINS INFORMATION THAT IS PROPRIETARY TO MOLEX INCORPORATED AND SHOULD NOT BE USED WITHOUT WRITTEN PERMISSION			