

5-160583-2 ✓ ACTIVE

FASTON | FASTON 250

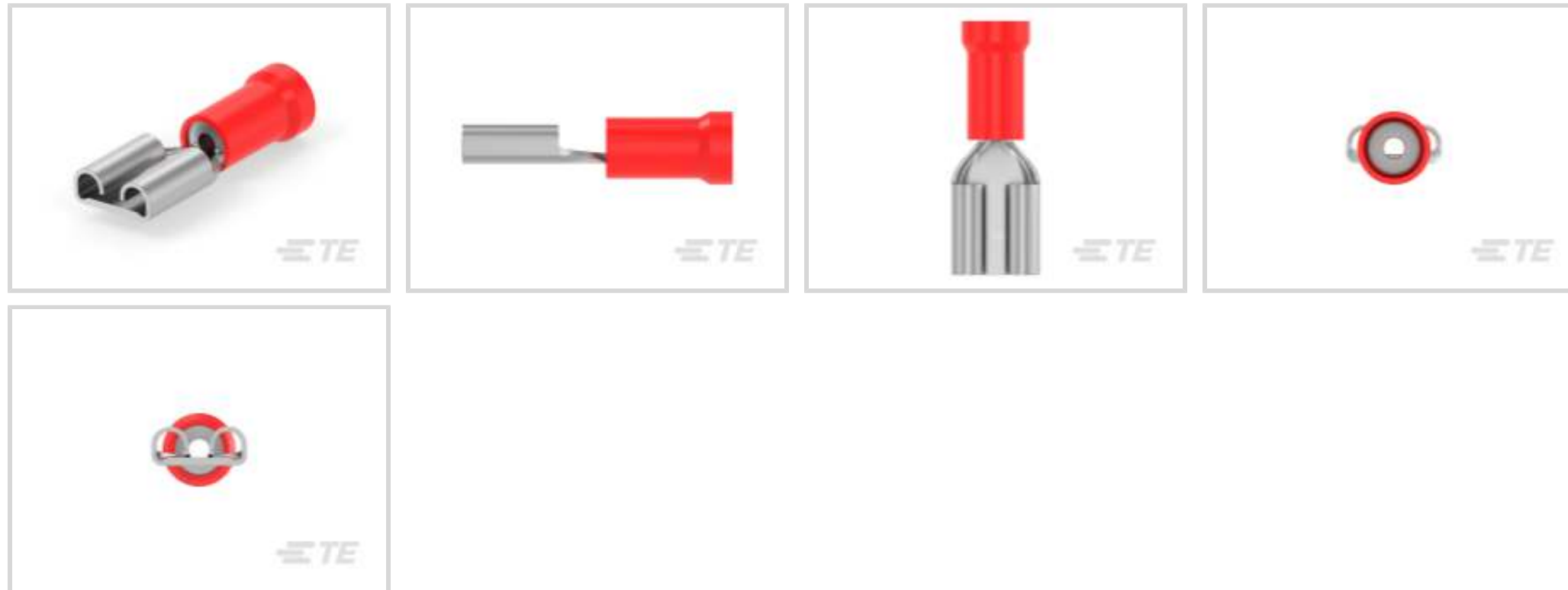
TE Internal #: 5-160583-2

Quick Disconnects, Receptacle, 22 – 16 AWG Wire Size, .3 – 1.5 mm² Wire Size, 592 – 3260 CMA Wire Size, Mating Tab Width 6.35 mm [.25 in], FASTON 250

[View on TE.com >](#)



Terminals & Splices > Quick Disconnects



Quick Disconnect Terminal Type: **Receptacle**

Wire Size: **592 – 3260 CMA**

Mating Tab Width: **6.35 mm [.25 in]**

Features

Product Type Features

Insertion Force	Normal
-----------------	--------

Configuration Features

Connection Capacity	Single
---------------------	--------

Electrical Characteristics

Voltage Rating	300 V
----------------	-------

Body Features

Insulation Material	Nylon
---------------------	-------

Contact Features

Quick Disconnect Terminal Type	Receptacle
--------------------------------	------------

Mating Tab Width	6.35 mm [.25 in]
------------------	------------------

Mating Tab Thickness	.81 mm [.032 in]
----------------------	------------------

Terminal Orientation	Straight
----------------------	----------

Contact Base Material	Brass
-----------------------	-------

Terminal Plating Material	Tin
---------------------------	-----

Crimp Type	Compression
------------	-------------



Barrel Type	Closed
-------------	--------

Termination Features

Product Terminates To	Wire & Cable
-----------------------	--------------

Mechanical Attachment

Wire Insulation Support	With
-------------------------	------

Mating Retention Type	Dimple
-----------------------	--------

Dimensions

Product Length	22.2 mm [.874 in]
----------------	-------------------

Compatible Insulation Diameter Range	3.5 mm [.14 in]
--------------------------------------	-----------------

Wire Size	592 – 3260 CMA
-----------	----------------

Usage Conditions

Insulation Option	Partially Insulated
-------------------	---------------------

Operating Temperature Range	105 °C [221 °F]
-----------------------------	-----------------

Packaging Features

Packaging Quantity	3500
--------------------	------

Packaging Method	Tape Mounted
------------------	--------------

Other

Barrel Color	Red
--------------	-----

Product Compliance

[For compliance documentation, visit the product page on TE.com>](#)

EU RoHS Directive 2011/65/EU	Compliant
------------------------------	-----------

EU ELV Directive 2000/53/EC	Compliant
-----------------------------	-----------

China RoHS 2 Directive MIIT Order No 32, 2016	No Restricted Materials Above Threshold
---	---

EU REACH Regulation (EC) No. 1907/2006	Current ECHA Candidate List: JUNE 2023 (235) Candidate List Declared Against: JUNE 2023 (235) Does not contain REACH SVHC
--	---

Halogen Content	Low Halogen - Br, Cl, F, I < 900 ppm per homogenous material. Also BFR/CFR/PVC Free
-----------------	---

Solder Process Capability	Not applicable for solder process capability
---------------------------	--



This information is provided based on reasonable inquiry of our suppliers and represents our current actual knowledge based on the information they provided. This information is subject to change. The part numbers that TE has identified as EU RoHS compliant have a maximum concentration of 0.1% by weight in homogenous materials for lead, hexavalent chromium, mercury, PBB, PBDE, DBP, BBP, DEHP, DIBP, and 0.01% for cadmium, or qualify for an exemption to these limits as defined in the Annexes of Directive 2011/65/EU (RoHS2). Finished electrical and electronic equipment products will be CE marked as required by Directive 2011/65/EU. Components may not be CE marked. Additionally, the part numbers that TE has identified as EU ELV compliant have a maximum concentration of 0.1% by weight in homogenous materials for lead, hexavalent chromium, and mercury, and 0.01% for cadmium, or qualify for an exemption to these limits as defined in the Annexes of Directive 2000/53/EC (ELV). Regarding the REACH Regulation, the information TE provides on SVHC in articles for this part number is based on the latest European Chemicals Agency (ECHA) 'Guidance on requirements for substances in articles' posted at this URL: <https://echa.europa.eu/guidance-documents/guidance-on-reach>

Compatible Parts



REPRESENTATION ONLY

TE Part # 47386-4
DAHT PG PIDG 26-16 ASSY



TE Part # 58433-3
PRO CR ASSY, RBY IS9252



TE Part # 58423-1
DIE, RBY IS9252



REPRESENTATION ONLY

TE Part # 90035-3
DAHT PIDG FASTON 22-18 ASSY




TE Part # 1SET191001R0000
CRIMP-HT

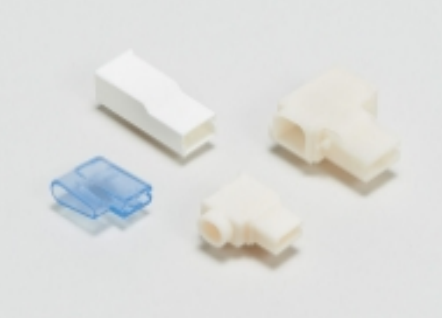


TE Part # 169404
CERTI-LOK DIE


Also in the Series | FASTON 250



Compression Connectors(4)



Crimp Terminal Housings(142)



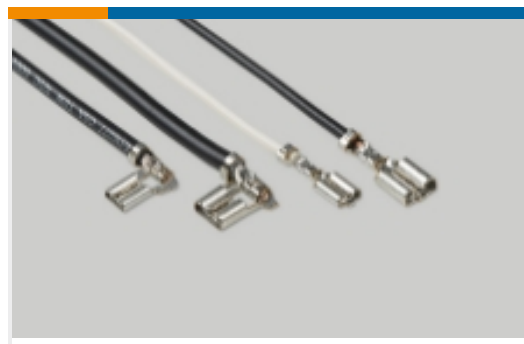
Insertion & Extraction Tools(6)



Magnet Wire Terminals(1)



PCB Terminals(135)

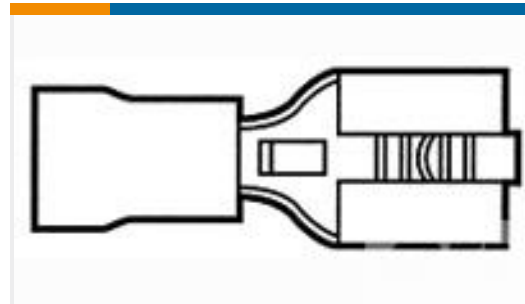


Quick Disconnects(445)

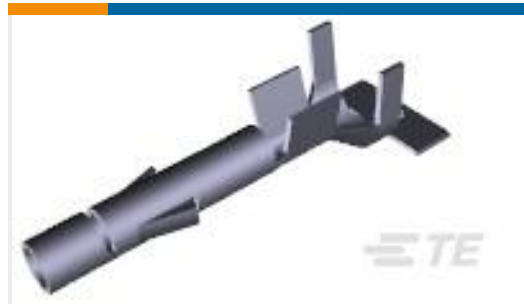


Splices(4)

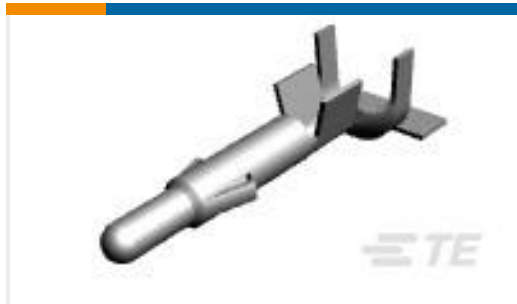
Customers Also Bought



TE Part #9-160313-5
250 PIDG FASTON REC



TE Part #926869-1
UNIV.M-N-L.SOCKET



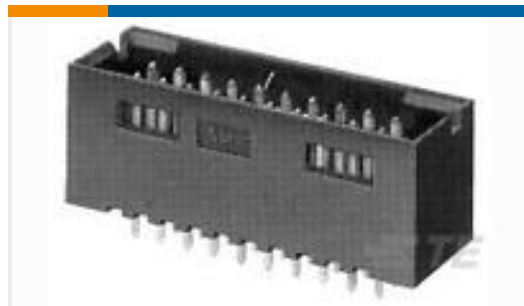
TE Part #926868-1
UNIV.M-N-L.PIN



TE Part #CQ50523001
RAY-103-12.5(10)



TE Part #CQ50543001
RAY-103-3.0(10)



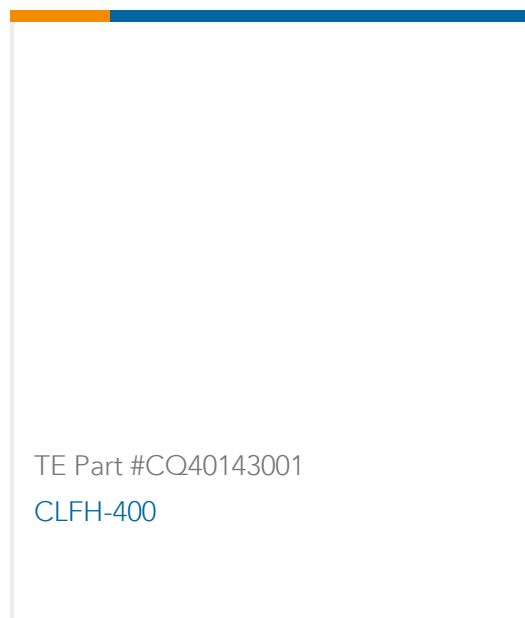
TE Part #1-103169-4
32 MODII HDR DRST SHRD .100CL



TE Part #D369-STB-6
369 6 WAY BACKSHELL STRAIGHT
TIE WRAP



TE Part #3-1768035-2
LZ-51



TE Part #CQ40143001
CLFH-400



TE Part #CD14273001
FLCW0219-0.75-45(B011)

Documents

Product Drawings

250 PIDG FASTON REC

English

CAD Files

3D PDF

English

Customer View Model

ENG_CVM_5-160583-2_L3.2d_dxf.zip



English

Customer View Model

[ENG_CVM_5-160583-2_L3.3d_igs.zip](#)

English

Customer View Model

[ENG_CVM_5-160583-2_L3.3d_stp.zip](#)

English

3D PDF

3D

Customer View Model

[ENG_CVM_CVM_5-160583-2_S.2d_dxf.zip](#)

English

Customer View Model

[ENG_CVM_CVM_5-160583-2_S.3d_igs.zip](#)

English

Customer View Model

[ENG_CVM_CVM_5-160583-2_S.3d_stp.zip](#)

English

By downloading the CAD file I accept and agree to the [Terms and Conditions](#) of use.

Datasheets & Catalog Pages

[PIDG Terminals and Splices Quick Reference Guide](#)

English

Product Environmental Compliance

[MD_5-160583-2_06092014746_dmtec](#)

English

[MD_5-160583-2_06092014746_dmtec](#)

English