

# 821B YYY - 1 7 3 L YY 1

SERIES 12.00 [0.475]  
 # OF POSITIONS (Ex. 002) \*\*SEE CHART A\*\*  
 1 = MALE  
 CABLE MOUNT  
 1 = GOLD FLASH  
 COLLET SIZE \*\*SEE CHART B\*\*  
 RoHS COMPLIANT  
 NICKEL/CHROME PLATED SHELL

**CHARACTERISSTICS**

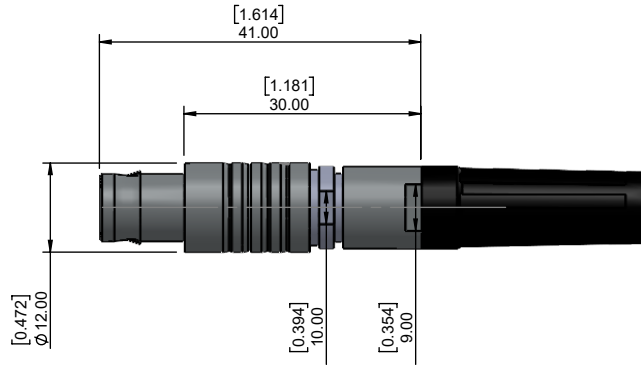
**MATERIALS**

HOUSING : BRASS  
 HOUSING PLATING : 196µ" NICKEL MIN.  
 SHELL & COLLET NUT: BRASS, 196µ" CHROME PLATED MIN.  
 CONTACTS : COPPER ALLOY  
 CONTACT PLATING : 7µ" GOLD PLATED OVER 196µ" NICKEL MIN.  
 INSULATOR : PPS (HIGH TEMPERATURE)  
 STRAIN RELIEF(BOOT) : THERMOPLASTIC POLYURETHANE

**MECHANICAL**

DURABILITY: 5000 CYCLES  
 OPERATING TEMP. RANGE: -40° C ~ +200° C  
 PROCESS TEMPERATURE : 260°C FOR 5 SECONDS  
 MAX. TOURQUE VALUE : 1.5 Nm [13.2 IN/LBS]  
 SHIELDING: 75dB @ 10MHz  
 40dB @ 1GHz

IP RATING: 50



**CHART B**

COLLET SIZE	WIRE DIAMETER
40	3.30 [0.130] ~ 4.20 [0.165]
50	4.30 [0.169] ~ 5.20 [0.205]
60	5.30 [0.209] ~ 6.20 [0.244]
70	6.30 [0.248] ~ 7.20 [0.283]

**CHART A**

● = KEY LOCATION

\*\*VIEW FROM TERMINATION END\*\*

 2 POSITION 20 AWG MAX. 15 AMP MAX. PIN Ø = 1.30 [0.051]  CONTACT RESISTANCE = 5 mΩ TEST VOLTAGE = 1500V WORKING VOLTAGE = 500V	 3 POSITION 20 AWG MAX. 12 AMP MAX. PIN Ø = 1.30 [0.051]	 4 POSITION 22 AWG MAX. 10 AMP MAX. PIN Ø = 0.90 [0.035]	 5 POSITION 22 AWG MAX. 9 AMP MAX. PIN Ø = 0.90 [0.035]	 6 POSITION 24 AWG MAX. 7 AMP MAX. PIN Ø = 0.70 [0.028]	 7 POSITION 24 AWG MAX. 7 AMP MAX. PIN Ø = 0.70 [0.028]	 8 POSITION 28 AWG MAX. 5 AMP MAX. PIN Ø = 0.70 [0.028]	 10 POSITION 28 AWG MAX. 2.5 AMP MAX. PIN Ø = 0.50 [0.020]	 14 POSITION 28 AWG MAX. 2 AMP MAX. PIN Ø = 0.50 [0.020]
---	--	--	---	---	---	---	--	--

**RoHS COMPLIANT**



THESE DRAWINGS AND SPECIFICATIONS ARE THE PROPERTY OF NorComp AND SHALL NOT BE REPRODUCED, COPIED OR USED AS THE BASIS FOR THE MANUFACTURE OR SALE OF APPARATUS WITHOUT WRITTEN PERMISSION.

NorComp

DRAWN: M. SIGMON	DATE: 02-03-16	SCALE: N.T.S.	SHEET 1 OF 1	REV: 8
			DWG NO. 821BYYY-173LYY1	