

1379674-2 ✓ ACTIVE

## TH/.025 Connector System

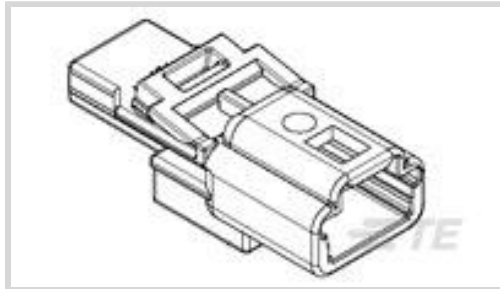
TE Internal #: 1379674-2

Housing for Male Terminals, Wire-to-Wire, 4 Position, .087 in [2.2 mm] Centerline, Gray, Wire & Cable, Signal, TH/.025 Connector System

[View on TE.com >](#)



Connectors > Automotive Connectors > Automotive Housings > TH/.025 CONNECTOR SYSTEM, HOUSING



Connector & Housing Type: **Housing for Male Terminals**

Mating Tab Width: **.64 mm [ .025 in ]**

Connector System: **Wire-to-Wire**

Number of Positions: **4**

Centerline (Pitch): **2.2 mm [ .087 in ]**

[All TH/.025 CONNECTOR SYSTEM, HOUSING \(217\)](#)

## Features

### Product Type Features

Connector Shape	Rectangular
Connector & Housing Type	Housing for Male Terminals
Connector System	Wire-to-Wire
Sealable	No
Hybrid Connector	No
Primary Locking Feature	On the Terminal
Connector & Contact Terminates To	Wire & Cable

### Configuration Features

Number of Positions	4
Number of Rows	1

### Electrical Characteristics

Operating Voltage	14 VDC
Nominal Voltage Architecture	14 V

### Body Features

Cable Exit Angle	180°
Primary Product Color	Gray
Connector & Keying Code	2



### Contact Features

Contact Size	.63mm
Contact Type	Tab
Mating Tab Width	.64 mm[.025 in]
Contact Current Rating (Max)	7.5 A

### Mechanical Attachment

Terminal Position Assurance	Yes
Strain Relief	Without
Mating Alignment Type	Keyed
Mating Alignment	With
Connector Mounting Type	Cable Mount (Free-Hanging)

### Housing Features

Housing Material	PBT
Centerline (Pitch)	2.2 mm[.087 in]

### Dimensions

Connector Height	11.75 mm[.463 in]
Product Width	33.4 mm[1.315 in]
Product Length	14 mm[.551 in]

### Usage Conditions

Operating Temperature (Max)	70 °C, 75 °C, 80 °C, 85 °C, 90 °C, 100 °C [158 °F][167 °F][176 °F][185 °F][194 °F][212 °F]
Operating Temperature Range	-40 – 100 °C[-40 – 212 °F]

### Operation/Application

Circuit Application	Signal
---------------------	--------

### Industry Standards

UL Flammability Rating	UL 94HB
------------------------	---------

### Packaging Features

Packaging Quantity	100
Packaging Method	Box

### Other

Serviceable	Yes
-------------	-----



Connector Position Assurance Capable

No

### Product Compliance

[For compliance documentation, visit the product page on TE.com>](#)

EU RoHS Directive 2011/65/EU	Compliant
EU ELV Directive 2000/53/EC	Compliant
China RoHS 2 Directive MIIT Order No 32, 2016	No Restricted Materials Above Threshold
EU REACH Regulation (EC) No. 1907/2006	Current ECHA Candidate List: JUNE 2023 (235) Candidate List Declared Against: JAN 2023 (233) Does not contain REACH SVHC
Halogen Content	Low Halogen - Br, Cl, F, I < 900 ppm per homogenous material. Also BFR/CFR/PVC Free
Solder Process Capability	Not reviewed for solder process capability

#### Product Compliance Disclaimer

This information is provided based on reasonable inquiry of our suppliers and represents our current actual knowledge based on the information they provided. This information is subject to change. The part numbers that TE has identified as EU RoHS compliant have a maximum concentration of 0.1% by weight in homogenous materials for lead, hexavalent chromium, mercury, PBB, PBDE, DBP, BBP, DEHP, DIBP, and 0.01% for cadmium, or qualify for an exemption to these limits as defined in the Annexes of Directive 2011/65/EU (RoHS2). Finished electrical and electronic equipment products will be CE marked as required by Directive 2011/65/EU. Components may not be CE marked. Additionally, the part numbers that TE has identified as EU ELV compliant have a maximum concentration of 0.1% by weight in homogenous materials for lead, hexavalent chromium, and mercury, and 0.01% for cadmium, or qualify for an exemption to these limits as defined in the Annexes of Directive 2000/53/EC (ELV). Regarding the REACH Regulation, the information TE provides on SVHC in articles for this part number is based on the latest European Chemicals Agency (ECHA) 'Guidance on requirements for substances in articles' posted at this URL: <https://echa.europa.eu/guidance-documents/guidance-on-reach>

### Compatible Parts



Also in the Series | [TH/.025 Connector System](#)



Automotive Connector Caps & Covers (6)



Automotive Housings(223)



Automotive Seals & Cavity Plugs(2)



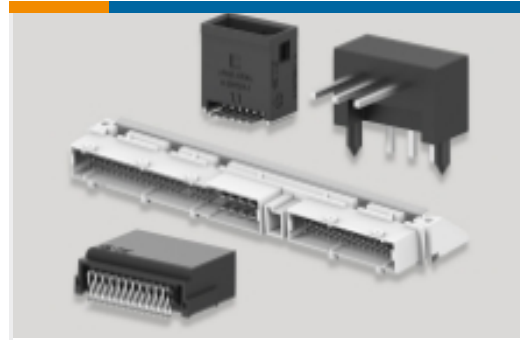
Automotive Terminals(25)



Insertion & Extraction Tools(4)

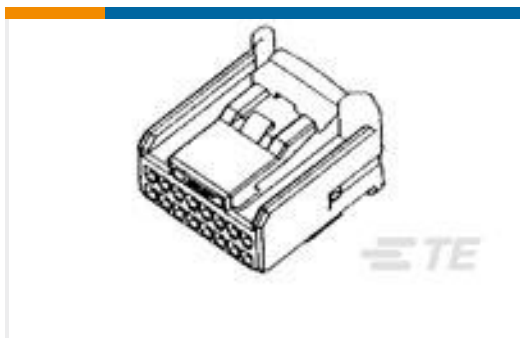


Other Automotive Connector Accessories(5)



PCB Headers & Receptacles(163)

## Customers Also Bought



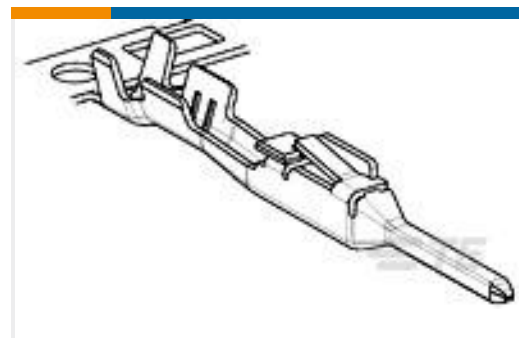
TE Part #1318386-2  
025 16P PLUG HSG ASSY H-TYP



TE Part #170140-1  
187 FASTON,FLAG,REC.,16-20 AWG, BR



TE Part #4-1879337-6  
CPF 0603 7K32 1% 50PPM 1K RL BR



TE Part #1674742-1  
025 TH TAB CONTACT



TE Part #2236793-3  
SMARTSEAL TERMINAL



TE Part #1-2291193-3  
SMARTSEAL TERMINAL



TE Part #2305881-1  
CVTY PLUG,090 SERIES,CVTY DIA,1, GRY



TE Part #2337737-1  
4POS,0.64 SERIES,REC HSG ASSY, COD A



TE Part #920-332-353  
Antennenfuss AM/FM/TEL/GNSS

## Documents



### Product Drawings

#### 4W TAB HSG CODING 2 GRAY

English

---

### CAD Files

#### 3D PDF

3D

#### Customer View Model

[ENG\\_CVM\\_CVM\\_1379674-2\\_A\\_c-1379674-2-a.2d\\_dxf.zip](#)

English

#### Customer View Model

[ENG\\_CVM\\_CVM\\_1379674-2\\_A\\_c-1379674-2-a.3d\\_igs.zip](#)

English

#### Customer View Model

[ENG\\_CVM\\_CVM\\_1379674-2\\_A\\_c-1379674-2-a.3d\\_stp.zip](#)

English

By downloading the CAD file I accept and agree to the [Terms and Conditions](#) of use.

---

### Datasheets & Catalog Pages

#### TH/.025 Connector Series

English

---

### Product Specifications

#### Packaging specification for TH Tab en Plug (TH TES)

English

#### Product Specification

English

---

### Product Environmental Compliance

[MD\\_1379674-2\\_031520181237\\_dmtec](#)

English

[MD\\_1379674-2\\_031520181237\\_dmtec](#)

English

---

### Instruction Sheets

#### Instruction Sheet (non U.S.)

English