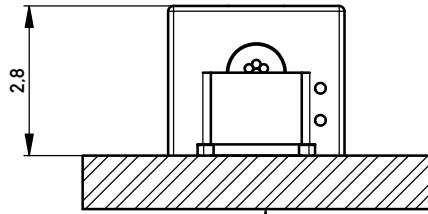
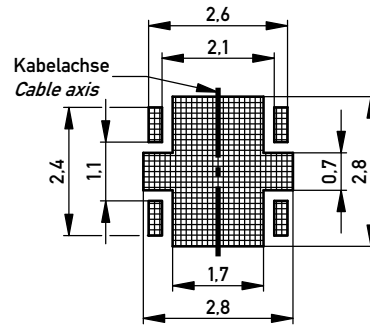


Terminal verpresst  
Terminal pressed

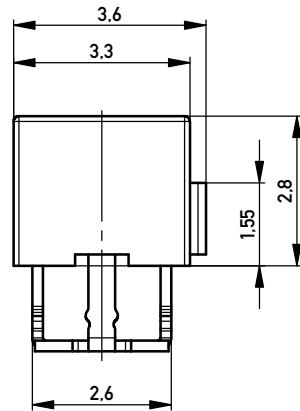
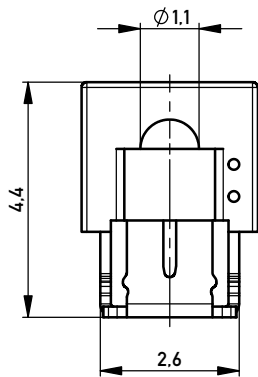
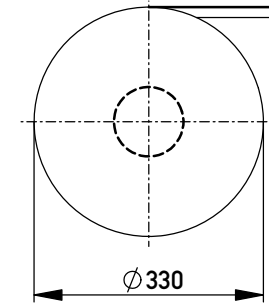


Leiterplatte  
PCB

Leiterplatten-Layout Vorschlag  
PCB-Layout Proposal

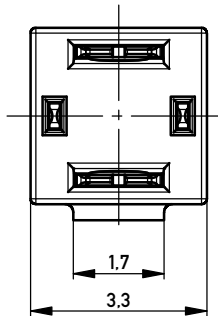


Verpackt im Gurt nach DIN IEC 60286-3  
Tape on Reel Packaging according to DIN IEC 60286-3  
Verpackungseinheit: 2000 Stück  
Packaging unit: 2000 pcs

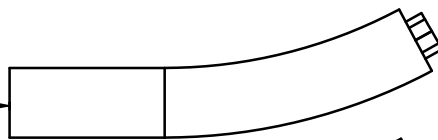


Montagehinweis  
Assembly Instruction

Es ist darauf zu achten, dass das Kabel senkrecht ( $90^\circ \pm 5^\circ$ ) abgeschnitten wird!  
It is important to ensure that the cable is cut off perpendicular ( $90^\circ \pm 5^\circ$ )!



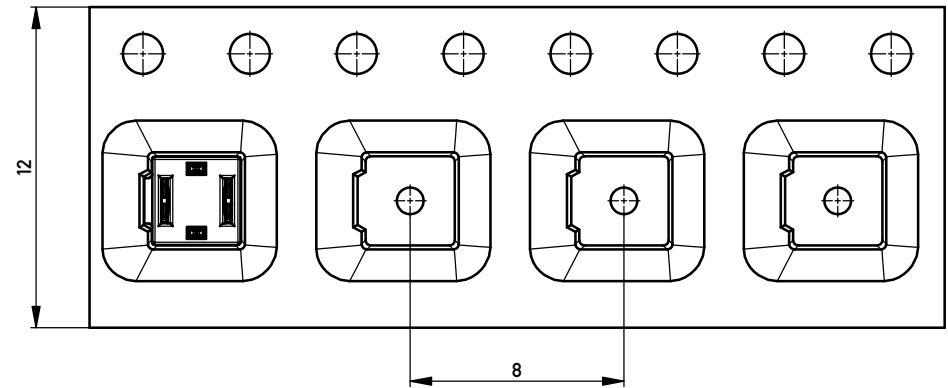
richtig  
correct



falsch  
false



Abspulrichtung - Reel off Direction



\*AWG 24/7 - 26/7 D 1,1 mit Kabelanschlag  
\*AWG 24/7 - 26/7 D 1,1 with cable stop

Information: Farbe: natur color: nature	Tolerances  All Dimensions in mm	Scale	10:1
		Designation <b>Schneidklemmterminal*</b> <i>IDC-Terminal*</i>	
All rights reserved. Only for Information. To ensure that this is the latest version of this drawing, please contact one of the ERNI companies before using.	Subject to modification without prior notice. Drawing will not be updated.	<b>474340</b>	
		ERNI www.ERNI.com	Class IDC-TERM
a Index	04.11.2013 Date	I A3	

Copyright by ERNI GmbH. Proprietary notice pursuant to ISO 9006 to be observed.