

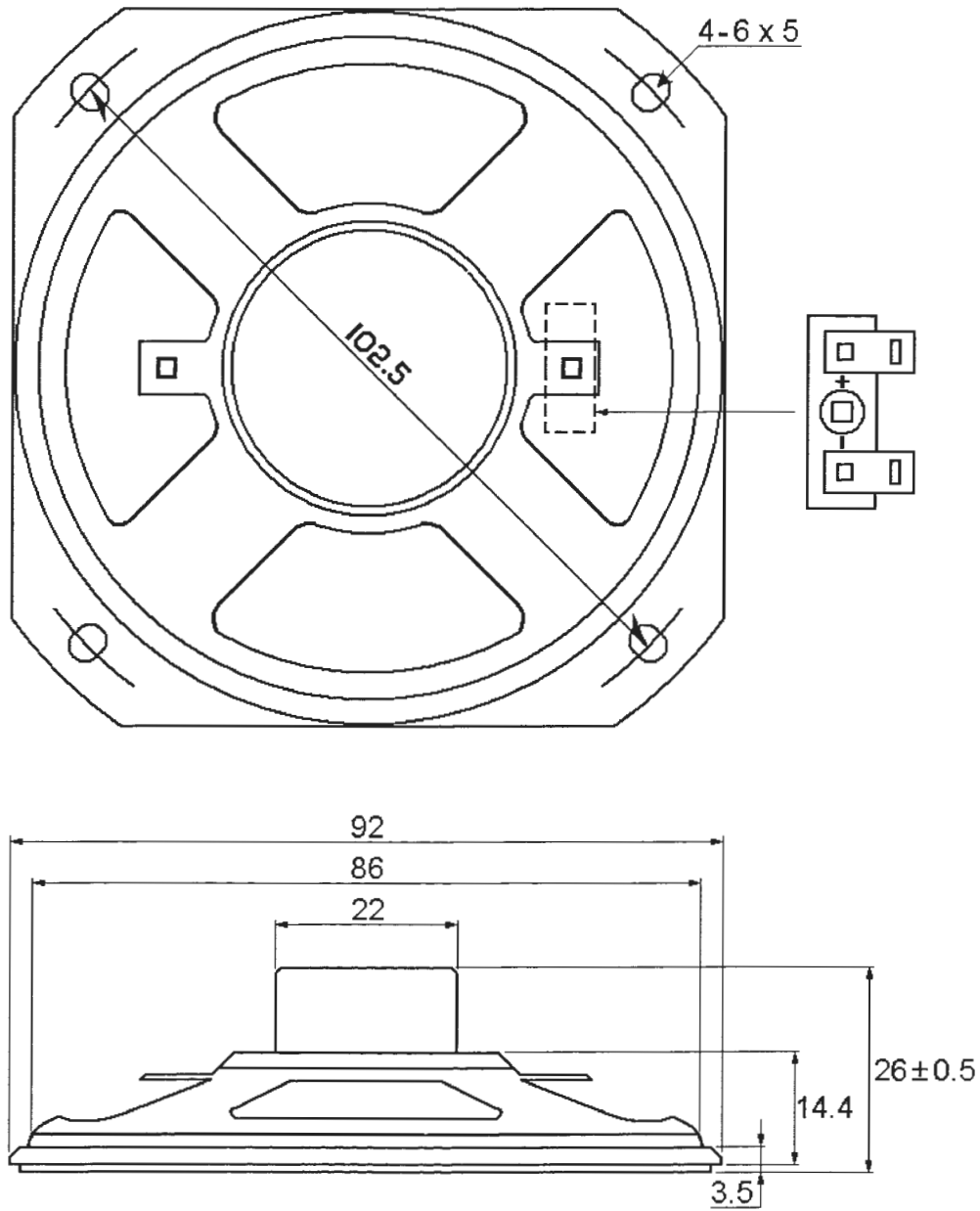
# INTERVOX Speakers from International ©

215 McCormick Drive, Bohemia, NY 11716 Tel: (631) 952-9595 Fax: (631) 952-9597 www.icc107.com

Code G52

| ICC Part No.            | S350SA (RoHS Compliant)                                 |  |
|-------------------------|---|--|
| 1. Voice Coil Imp.      | $8 \Omega \pm 15\%$                                     | At 800 Hz 1 Volt                           |
| 2. Operation            | Must be normal  | Program Source 1 W                         |
| 3. Buzz & Rattles       | Must be normal  | Sin Wave 2.83 V                            |
| 4. Resonant Freq.       | $210 \pm 20\%$ Hz                                       | Without Baffle                             |
| 5. Output S.P.L.        | $91 \pm 3$ dB/W Mean Value<br>at 0.7, 0.9, 1.2, 1.4 KHz | From 50cm Measurement 1W                   |
| 6. Freq. Response       | Fo ~ 8500 Hz $\pm 10$ dB                                |  |
| 7. Rated Freq. Response | Hz  |  |
| 8. Rated Power Input    | 1.0 W   |  |
| 9. Max. Power Input     | 2.0 W   |  |
| 10. Load Test           | After Test Meet Items 2 & 3                             | White Noise 0.5W 5 Hours                   |
| 11. Heat Test           | After Test Meet Items 2 & 3                             | $40^\circ \pm 2^\circ$ C 50% R.H. 96 Hours |
| 12. Humidity Test       |   | $40^\circ \pm 2^\circ$ C 90% R.H. 96 Hours |
| 13. Distortion          | 5% Max.   | Rated Power Input 1000 Hz                  |
| 14. Total Flux          | 12,000 Maxwell  |  |
| 15. Flux Density        | 6000 Gauss  |  |
| 16. Magnet              | Material: Rare Earth                                    | Size: 13 x 10mm Weight: .34 oz.            |
| 17. Total Weight        | 2.04 oz.  |  |
| 18. Baffle Opening      | 84 mm   |  |
| 19. Outside Diameter    | 92 mm   | (Eliminate Rim: 86 mm)                     |
| 20. Total Height        | 26 mm   |  |
| 21. Yoke Size           | 22 x 14.2 x 12.5mm                                      | Outside Diameter of Seat: 22mm             |
|                         |   |  |

## S350SA (RoHS Compliant)



# INTERVOX Speakers from International ©

Measuring Object: S350SA

Measuring Condition: 2.83 V 1 W 0.5 M

Level Range: 60 dB Zero Level (Fundamental): 60 dB X Axis Speed: \_\_\_\_\_ mm/sec

Impedance Range: \_\_\_\_\_  $\Omega$  Zero Level (Harmonic): \_\_\_\_\_ dB Y Axis Speed: \_\_\_\_\_ mm/sec

