

Data sheet

**E-DAT Industry terminal rail TS35
+ RJ45 field jack insert Cat.6 Class E_A, T568B**

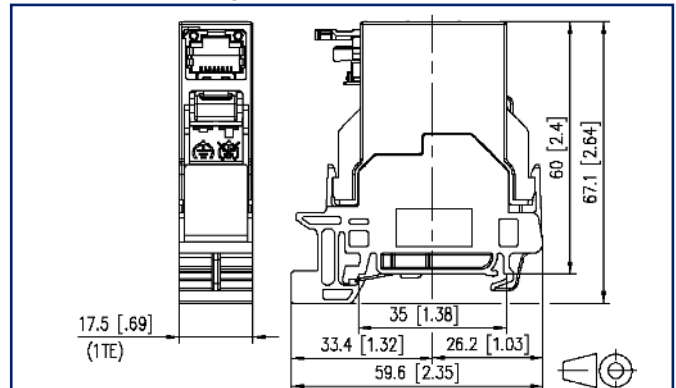
Page 1/7

P/N
1401806113KE
EAN 4250184119173
2023/04/17
Version: AC

Illustrations



Dimensional drawing



See enlarged drawings at the end of document

Product specification

- termination unit for mounting on TH35 rails to DIN EN 60715 in electrical distribution panels for home and industrial installations
- equipped with E-DAT Industry RJ45 field jack insert
- vertical plugging direction, 90° to rail
- compliance with class E_A according to ISO/IEC 11801, DIN EN 50173-1
- suitable for 10 GBit Ethernet (IEEE 802.3an), Remote Powering (PoE, PoE plus, UPoE) and HDBaseT
- easy to install connection of 2 to 4 pair data lines AWG 24/1 - 22/1 and stranded wires with 7 copper conductors AWG 26/7 to BTR 8-fold insulation displacement connectors (IDC)
- width of 1HP allows mounting up to 12 units in a standard electrical distribution panel
- When mounted as a device of protection class I, the equipotential bonding is realized directly over the top hat rail by means of a switchable integrated equipotential spring. This has to be connected to the equipotential bonding of the building by means of a bonding terminal
- variants: pin assignment to T568A, T568B or PROFINET



E-DAT Industry terminal rail TS35 + RJ45 field jack insert Cat.6 Class E_A, T568B

P/N
1401806113KE
EAN 4250184119173
2023/04/17
Version: AC

Technical Data

General Data

Fields of application	office areas
Mechanical measurement according to MICE	M1
Ingress measurement according to MICE	I1
Climatic measurement according to MICE	C1
Electromagnetic measurement according to MICE	E2
Design	wall outlet
Mounting style	Standard rail TH35
Shielding	shielded
Transmission technology	Copper
Wiring	T568B
Color	light gray
Dimensions	
Dimension (L x W x H)	59.6 mm x 17.5 mm x 67.1 mm
Dimension (L x W x H)	2.346 in. x 0.689 in. x 2.642 in.
Horizontal pitch	1HP
Labeling option	label window with identification label
Marking option	by dust protection

Transmission characteristics

Category (ISO)	6
Class (ISO/IEC)	E _A
Category (TIA)	6
Remote Powering	yes
PoE	IEEE 802.3af
PoE plus	IEEE 802.3at
UPoE	yes
HDBaseT	yes
Transmission rate up to 10 GBit	IEEE 802.3an

E-DAT Industry terminal rail TS35 + RJ45 field jack insert Cat.6 Class E_A, T568B

P/N
1401806113KE
EAN 4250184119173
2023/04/17
Version: AC

Technical Data

Connections/interfaces	
Connector technology interface 1	IDC-connection
Connector technology interface 2	RJ45-jack
Number of ports interface 2	1
Number of ports interface 2 equipped	1
Number of positions/contacts interface 1	8
Number of positions/contacts interface 2	8P/8C
Termination data, solid wire (min. - max.)	
Conductor cross section, solid wire	AWG 26/1 - AWG 22/1
Conductor cross section, solid wire	0.128 mm ² - 0.324 mm ²
Conductor diameter, solid wire (bare copper)	0.409 mm - 0.643 mm
Conductor diameter, solid wire (bare copper)	0.016 in. - 0.025 in.
Termination data, stranded wire (min. - max.)	
Conductor cross section, stranded wire	AWG 26/7 - AWG 22/7
Conductor cross section, stranded wire	0.141 mm ² - 0.355 mm ²
Conductor diameter, stranded wire (bare copper)	0.483 mm - 0.762 mm
Conductor diameter, stranded wire (bare copper)	0.019 in. - 0.03 in.
Core diameter (min. - max.)	
Core diameter (conductor with insulation)	0.85 mm - 1.6 mm
Core diameter (conductor with insulation)	0.033 in. - 0.063 in.
Module plug-in direction	vertical
Elektrische/ Optische Eigenschaften	
Current carrying capacity	max. 1 A
Contact resistance	max. 20 mOhm
Insulation resistance	min. 500 MOhm
Dielectric strength conductor-conductor (secondary)	min. 1000 V DC
Mechanical data	
Insertion and withdrawal force	max. 30 N
Position/mounting of latch standard installation position	top

E-DAT Industry terminal rail TS35 + RJ45 field jack insert Cat.6 Class E_A, T568B

P/N
1401806113KE
EAN 4250184119173
2023/04/17
Version: AC

Technical Data

Materials and material properties

Material - Housing	GD-Zn (zinc die-cast)
Material - Housing finish	CuSnZn
Material - Cover part(s)	PA66
Material - Lower housing	PA66
Material - Label window	ABS, transparent
Material - Dust protection	ABS
Material - Contact	Spring steel
Material - Contact finish	Ni + Au (nickel-gold)
Material - Insulation displacement contacts	CuNi2Si
Material - Finish of insulation displacement contacts	Sn (tin)
Material - Shield	Cu-Ni-Zn (nickel silver)
Material - Stuffer cap	PC UL94 V0
Material - Insulating body	PC UL94 V0
Material - Finish	Ni (nickel)
Material - Ground connection	CuSn4
RoHS	compliant

Environmental conditions

Temperature (min. - max.)	
Temperature - Storage °C	-40 °C - 70 °C
Temperature - Storage °F	-40 °F - 158 °F
Temperature - Operating °C	-40 °C - 70 °C
Temperature - Operating °F	-40 °F - 158 °F
Rapid change of temperature	-40°C / -40°F - +70°C / 158°F / 25 cycles t=30 min
Damp heat	+25°C / +77°F / +65°C / +149°F / 93% RH // -10°C / -14°F / 21 cycles
Flowing mixed gas	+25 °C / +77°F / 73% RH / 4 days, H2S / SO2
Vibration	50 m/s ²
Shock	250 m/s ²

E-DAT Industry terminal rail TS35 + RJ45 field jack insert Cat.6 Class E_A, T568B

P/N
1401806113KE
EAN 4250184119173
2023/04/17
Version: AC

Technical Data

Standards/Regulations

Generic cabling systems

General requirements ANSI/TIA-568

UL standard for Communications-Circuit Accessories UL 1863

Connectors for electronic equipment

Free and fixed connectors DIN EN 60603-7-51:2011-01

Interference proof

Immunity for industrial environments DIN EN 61000-6-2:2006-03

Climate tests IEC 60512-11

Classifications

ETIM 5.0 EC001024

ETIM 6.0 EC001024

ETIM 7.0 EC001024

ETIM 8.0 EC001024

ETIM 9.0 EC001024

Packing details

Type of packaging 1 pc(s) / plastic bag

Packaging unit - Weight (gram) 430 g

Packaging unit - Weight (pound) 0.95 lb

Packaging dimension 160 mm x 100 mm x 380 mm

Packaging dimension 6.299 in. x 3.937 in. x 14.961 in.

Data sheet

Page 6/7

**E-DAT Industry terminal rail TS35
+ RJ45 field jack insert Cat.6 Class E_A, T568B**

P/N

1401806113KE

EAN 4250184119173

2023/04/17

Version: AC

Accessories

P/N	Designation
1401100810MI	E-DAT Industry RJ45 field jack insert Cat.6 Class E _A , T568A
1401200810MI	E-DAT Industry RJ45 coupler insert Cat.6 Class E
1401800810MI	E-DAT Industry RJ45 field jack insert Cat.6 Class E _A , T568B
1401U00812KI	E-DAT Industry USB A 2.0 adapter insert
1401U10812KI	E-DAT Industry USB A 3.0 adapter insert



P | Cabling

Data sheet

Page 7/7

E-DAT Industry terminal rail TS35 + RJ45 field jack insert Cat.6 Class E_A, T568B

P/N

1401806113KE

EAN 4250184119173

2023/04/17

Version: AC

Illustrations

Dimensional drawing

