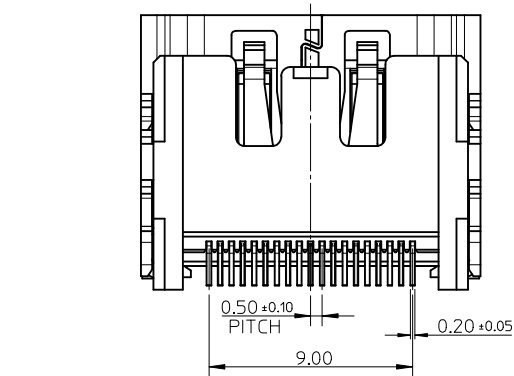
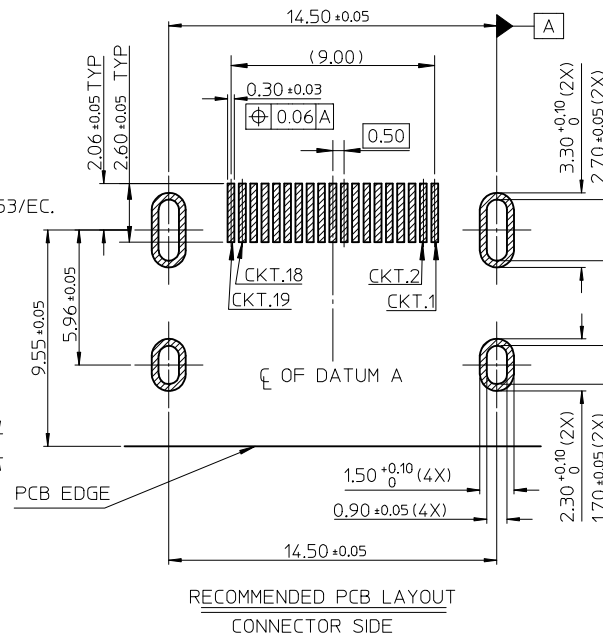
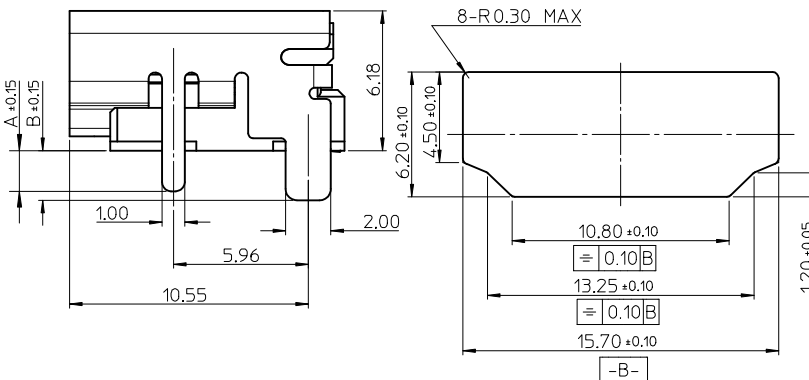
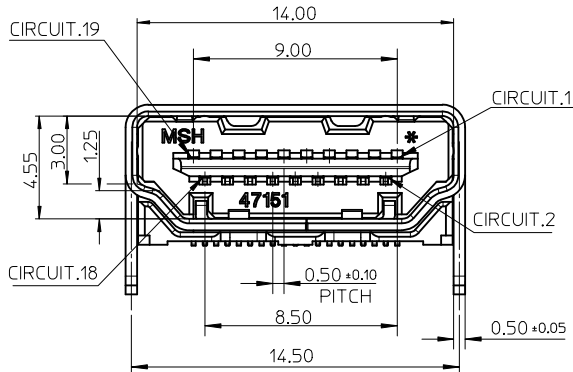
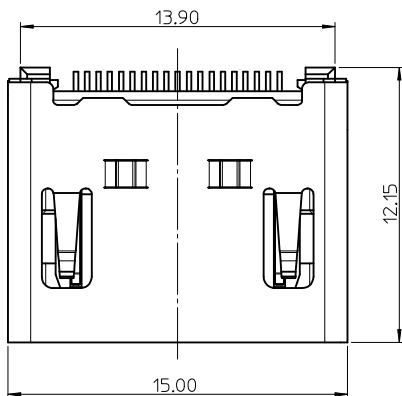
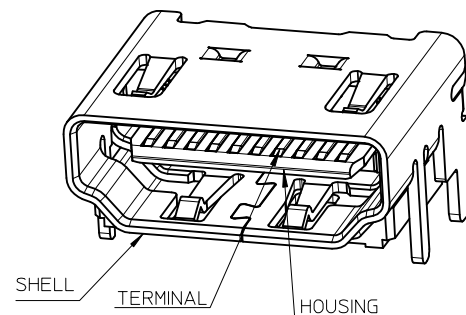


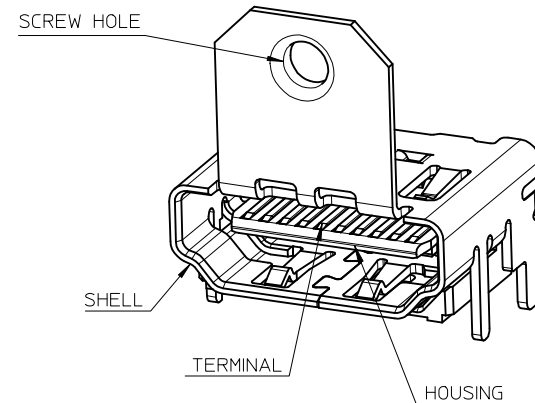
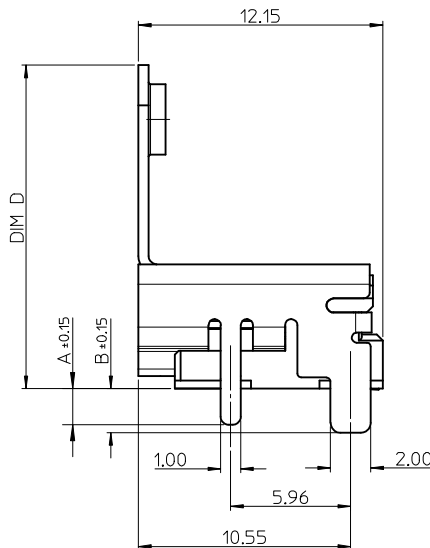
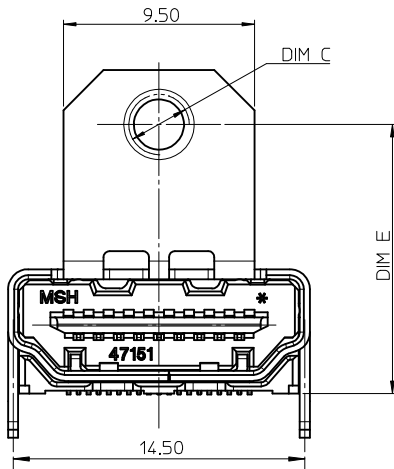
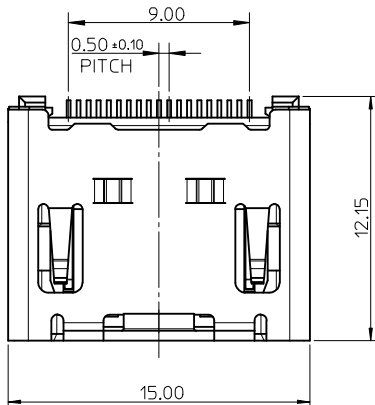
NOTES:

1. MATERIAL:
 HOUSING: THERMOPLASTIC, GLASS-FILLED, UL 94V-0, COLOR: SEE TABLE.
 SHELL: COPPER ALLOY.
 TERMINAL: COPPER ALLOY.
2. PLATING:
 TERMINAL:
 CONTACT AREA: (1) 0.76 MICROMETER MIN. GOLD PLATING.
 (2) 0.25 MICROMETER MIN. GOLD PLATING.
 (3) GOLD FLASH.
 (4) 0.375 MICROMETER MIN. GOLD PLATING.
 SOLDER AREA: 1 MICROMETER MIN. TIN-BISMUTH ALLOY PLATED.
 UNDER PLATE: 1.27 MICROMETER MIN. NICKEL.
 SHELL: (a) 1.27 MICROMETER MIN. SOLDERABLE NICKEL PLATE OVERALL.
 (b) GOLD FLASH PLATING OVER 1.27 MICROMETER MIN. NICKEL PLATING OVERALL.
3. COPLANARITY IS 0.1MM MAX.
4. PRODUCT SPECIFICATION REFER TO PS-47152-001.
5. PACKAGE SPECIFICATION FOR WITHOUT FLANGE REFER TO PK-47151-001.
6. PRODUCT COMPLIANT TO RoHS DIRECTIVE 2011/65/EU AND ELV DIRECTIVE 2000/53/EC.



RECOMMENDED PANEL CUT OUT DIMENSION

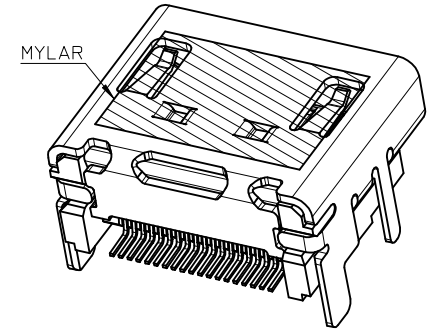
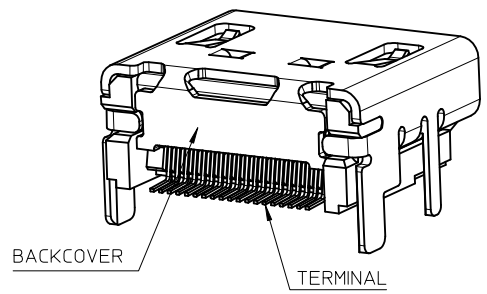
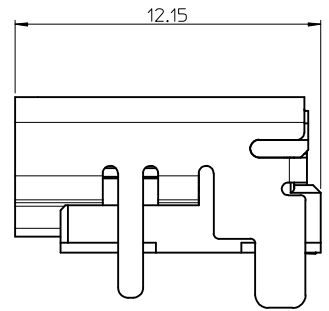
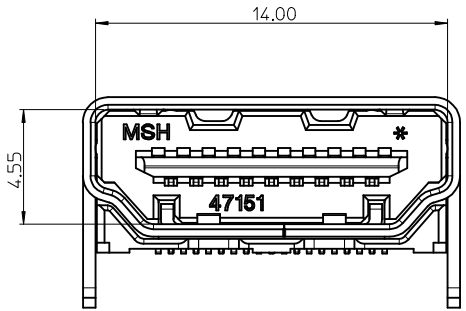
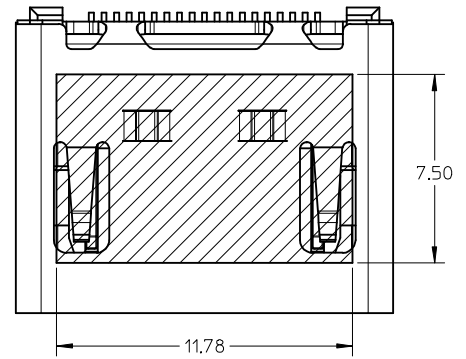
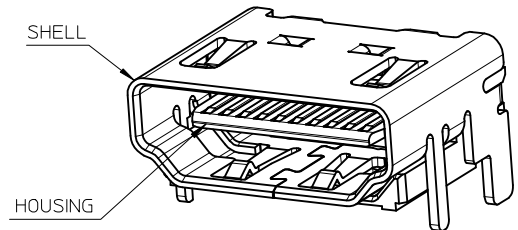
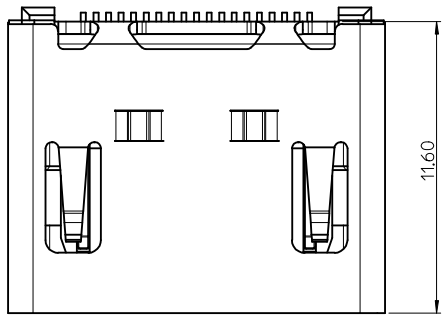
REVISE NOTE EC NO: S2014-0536 DRW:NFC00 2013/12/05 CHKD:JTAN02 2013/12/17 APPR:KHLIM 2013/12/20	QUALITY SYMBOLS F=0 F=0 F=0	GENERAL TOLERANCES (UNLESS SPECIFIED)		DIMENSION STYLE MM ONLY		SCALE NTS	DESIGN UNITS METRIC	THIRD ANGLE PROJECTION			
		4 PLACES ± --- ± ---	3 PLACES ± --- ± ---	2 PLACES ± 0.25 ± ---	1 PLACE ± 0.25 ± ---	0 PLACE ± ±	DRAWN BY RZHANG	DATE 2004/07/20	TITLE 1.0 HDMI RIGHT ANGLE HEADER ASSEMBLY(19 PIN) LEAD FREE		
		ANGULAR ± 3 °		DRAFT WHERE APPLICABLE MUST REMAIN WITHIN DIMENSIONS		MATERIAL NO.	CHECKED BY GRMA	DATE 2004/07/20	DOCUMENT NO. SD-47151-001		
		SEE SHEET 6		THIS DRAWING CONTAINS INFORMATION THAT IS PROPRIETARY TO MOLEX INCORPORATED AND SHOULD NOT BE USED WITHOUT WRITTEN PERMISSION			SHEET NO. 1 OF 8		moxle		



- NOTES:
1. THE UNSPECIFIED DIMENSIONS REFER TO SHEET 1.
 2. PACKAGE SPECIFICATION FOR WITH FLANGE REFER TO PK-47151-002.

REVISE NOTE EC NO: S2014-0536 DRW:NFC000 2013/12/05 CHKD:JTAN02 2013/12/17 APPR:KHLIM 2013/12/20	QUALITY SYMBOLS	GENERAL TOLERANCES (UNLESS SPECIFIED)		DIMENSION STYLE	SCALE	DESIGN UNITS	THIRD ANGLE PROJECTION	
	$\nabla_A = 0$ $\nabla_C = 0$ $\nabla_B = 0$	mm	INCH	MM ONLY	NTS	METRIC		
		4 PLACES ± --- ± ---	3 PLACES ± --- ± ---	DRAWN BY RZHANG	DATE 2004/07/20	TITLE		
		2 PLACES ± 0.25 ± ---	1 PLACE ± 0.25 ± ---	CHECKED BY GRMA	DATE 2004/07/20	1.0 HDMI RIGHT ANGLE HEADER ASSEMBLY(19 PIN) LEAD FREE		
	0 PLACE ± ±	ANGULAR ± 3 °		APPROVED BY YTYAP	DATE 2004/07/20			
		DRAFT WHERE APPLICABLE MUST REMAIN WITHIN DIMENSIONS		MATERIAL NO.	DOCUMENT NO.		SHEET NO.	
L1	REV			SEE SHEET 6	SD-47151-001		2 OF 8	
				SIZE A3	THIS DRAWING CONTAINS INFORMATION THAT IS PROPRIETARY TO MOLEX INCORPORATED AND SHOULD NOT BE USED WITHOUT WRITTEN PERMISSION			

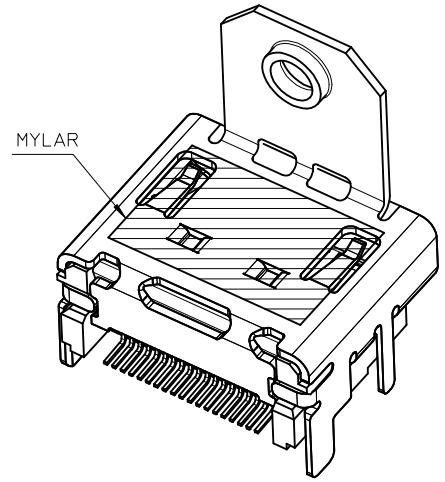
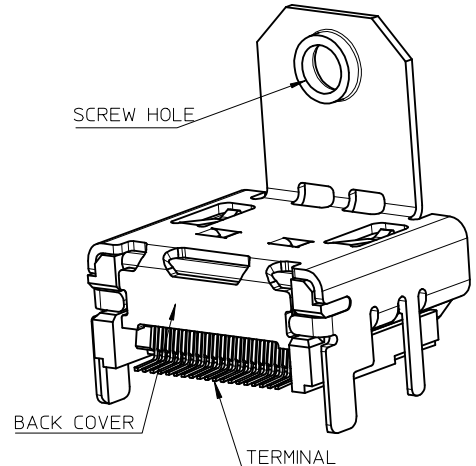
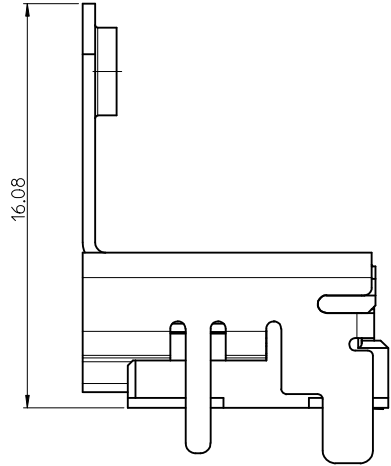
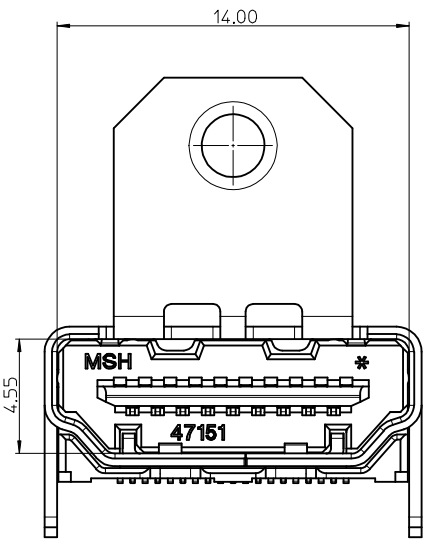
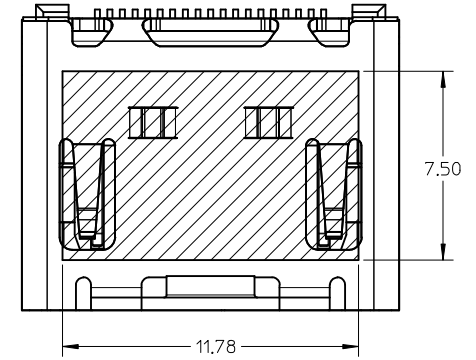
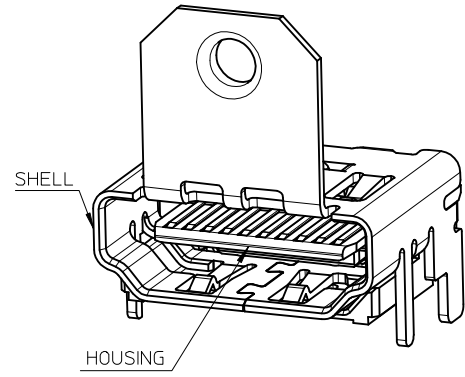
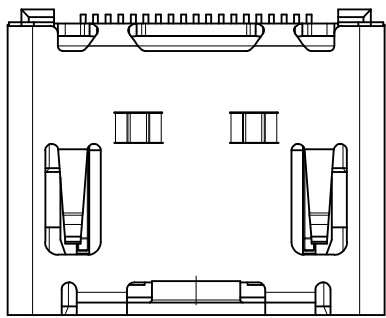
WITH BACK COVER



- NOTES:
1. THE UNSPECIFIED DIMENSIONS REFER TO 47151-0001.
 2. PACKAGE SPECIFICATION FOR WITHOUT FLANGE REFER TO PK-47151-001.

REVISE NOTE EC NO: S2014-0536 DRWN:FC500 CHKD:JTAN02 APPR:KHLJM 2013/12/05 2013/12/17 2013/12/20	QUALITY SYMBOLS $\nabla_A=0$ $\nabla_B=0$ $\nabla_C=0$	GENERAL TOLERANCES (UNLESS SPECIFIED) mm INCH 4 PLACES \pm --- \pm --- 3 PLACES \pm --- \pm --- 2 PLACES \pm 0.25 \pm --- 1 PLACE \pm 0.25 \pm --- 0 PLACE \pm \pm	DIMENSION STYLE MM ONLY	SCALE NTS	DESIGN UNITS METRIC	THIRD ANGLE PROJECTION	
	ANGULAR \pm 3 ° DRAFT WHERE APPLICABLE MUST REMAIN WITHIN DIMENSIONS	DRAWN BY RZHANG	DATE THIS SHEET ONLY FOR 47151-1067/1071/1081 2004/07/20	CHECKED BY GRMA	DATE 2004/07/20	1.0 HDMI RIGHT ANGLE HEADER ASSEMBLY(19 PIN) LEAD FREE molex	
	MATERIAL NO. SEE SHEET 6	APPROVED BY YTYAP	DATE 2004/07/20	DOCUMENT NO. SD-47151-001	SHEET NO. 3 OF 8		
	SIZE A3	THIS DRAWING CONTAINS INFORMATION THAT IS PROPRIETARY TO MOLEX INCORPORATED AND SHOULD NOT BE USED WITHOUT WRITTEN PERMISSION					

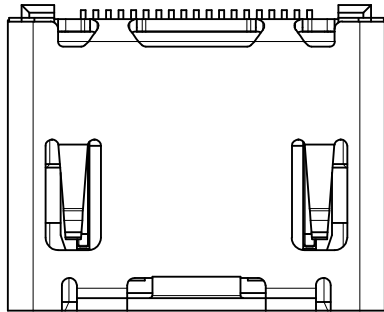
WITH BACK COVER



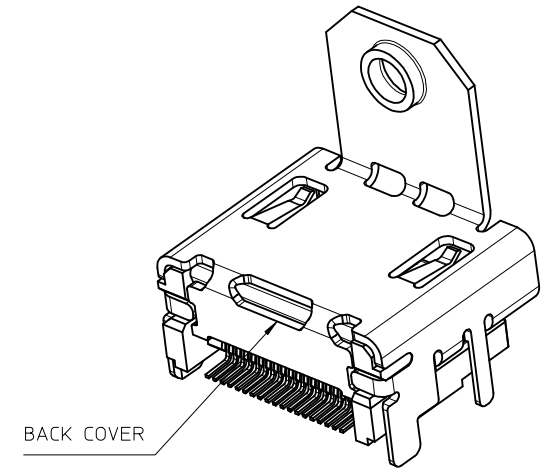
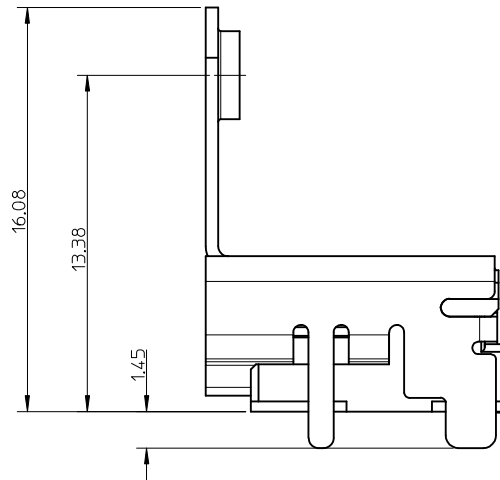
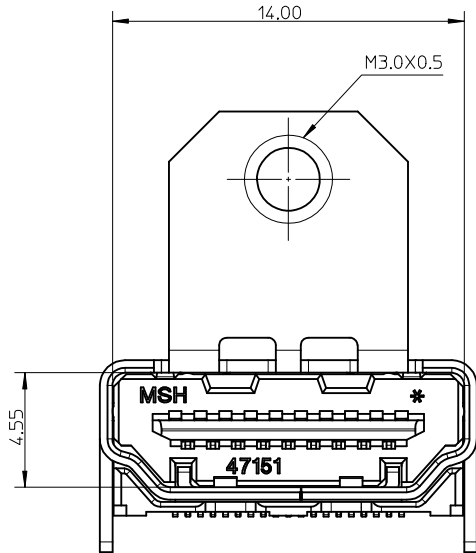
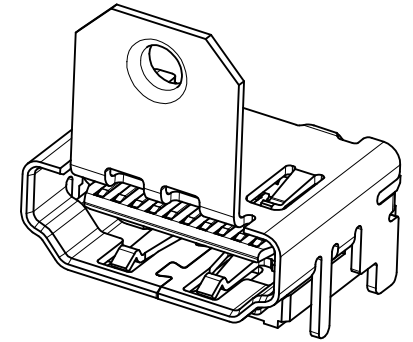
THIS IS ONLY FOR
47151-1025/1075/1085/6022/6032/1026/2062

- NOTES:
 1. THE UNSPECIFIED DIMENSIONS REFER TO 47151-0002.
 2. PACKAGE SPECIFICATION FOR WITH FLANGE:
 OPTION 1: 47151-1026/2062/6032 REFER TO PK-47151-005,
 OPTION 2: 47151-1102 REFER TO PK-47151-003,
 OPTION 3: OTHER PART NUMBER REFER TO PK-47151-002.

REVISE NOTE EC NO: S2014-0536 DRW:NFC500 CHKD:JTAN02 APPR:KHLIM	2013/12/05 2013/12/17 2013/12/20	DESCRIPTION REV	QUALITY SYMBOLS	GENERAL TOLERANCES (UNLESS SPECIFIED)	DIMENSION STYLE	SCALE	DESIGN UNITS	THIRD ANGLE PROJECTION
			$\nabla = 0$ $\nabla = 0$ $\nabla = 0$	mm INCH 4 PLACES ± --- ± --- 3 PLACES ± --- ± --- 2 PLACES ± 0.25 ± --- 1 PLACE ± 0.25 ± --- 0 PLACE ± ±	MM ONLY	NTS	METRIC	
				ANGULAR ± 3° DRAFT WHERE APPLICABLE MUST REMAIN WITHIN DIMENSIONS	DRAWN BY: RZHANG CHECKED BY: GRMA APPROVED BY: YTYAP MATERIAL NO.: SEE SHEET 6	DATE: 2004/07/20 DATE: 2004/07/20 DATE: 2004/07/20	TITLE: 1.0 HDMI RIGHT ANGLE HEADER ASSEMBLY(19 PIN) LEAD FREE molex DOCUMENT NO.: SD-47151-001	SHEET NO.: 4 OF 8
					SIZE: A3 THIS DRAWING CONTAINS INFORMATION THAT IS PROPRIETARY TO MOLEX INCORPORATED AND SHOULD NOT BE USED WITHOUT WRITTEN PERMISSION			



WITHOUT TOP HOLE



NOTES:

1. THE UNSPECIFIED DIMENSIONS REFER TO 47151-1102.
2. PACKAGE SPECIFICATION FOR WITH FLANGE REFER TO PK-47151-002.

REVISE NOTE EC NO: S2014-0536 DRW/NF:CS00 CHKD:JTAN02 APPR:KHLIM	2013/12/05 2013/12/17 2013/12/20	DESCRIPTION REV	QUALITY SYMBOLS $F_{\Delta} = 0$ $F_{\sigma} = 0$ $F_{\square} = 0$	GENERAL TOLERANCES (UNLESS SPECIFIED)		DIMENSION STYLE MM ONLY		SCALE NTS	DESIGN UNITS METRIC	THIRD ANGLE PROJECTION	
				4 PLACES ± --- ± --- 3 PLACES ± --- ± --- 2 PLACES ± 0.25 ± --- 1 PLACE ± 0.25 ± --- 0 PLACE ± ±	mm INCH	DRAWN BY RZHANG	DATE 2004/07/20	TITLE 1.0 HDMI RIGHT ANGLE HEADER ASSEMBLY(19 PIN) LEAD FREE			
				ANGULAR ± 3 ° DRAFT WHERE APPLICABLE MUST REMAIN WITHIN DIMENSIONS	CHECKED BY GRMA	DATE 2004/07/20	APPROVED BY YTYAP				
			L1	MATERIAL NO. SEE SHEET 6	DATE 2004/07/20	DOCUMENT NO. SD-47151-001		SHEET NO. 5 OF 8			

ASSEMBLY P/N	DIMENSION					FEATURE				HOUSING COLOUR	GOLD PLATING IN CONTACT AREA	SHELL PLATING	REMARK
	DIM A	DIM B	DIM C	DIM D	DIM E	FLANGE	BACK COVER	TOP HOLES	MYLAR				
47151-0001	1.80	2.20	/	/	/	W/O	W/O	WITH	W/O	BLACK	SEE NOTE 2 (1)	SEE NOTE 2 (a)	FOR SHEET 1
47151-0041										SEE NOTE 2 (2)			
47151-0051										SEE NOTE 2 (3)			
47151-0011										SEE NOTE 2 (1)			
47151-0071										SEE NOTE 2 (2)			
47151-0061										SEE NOTE 2 (3)			
47151-0021										SEE NOTE 2 (1)			
47151-0031	NATURE	SEE NOTE 2 (1)	SEE NOTE 2 (b)										
47151-0101	1.45	1.45	/	/	/	W/O	W/O	WITH	W/O	BLACK	SEE NOTE 2 (1)	SEE NOTE 2 (a)	
47151-0141										SEE NOTE 2 (2)			
47151-0151										SEE NOTE 2 (3)			
47151-0111										SEE NOTE 2 (1)			
47151-0181										SEE NOTE 2 (2)			
47151-0161										SEE NOTE 2 (3)			
47151-0121										SEE NOTE 2 (1)			
47151-0131	NATURE	SEE NOTE 2 (1)	SEE NOTE 2 (b)										
47151-0002	1.80	2.20	M3.0x0.5	16.08	13.38	WITH	W/O	WITH	W/O	BLACK	SEE NOTE 2 (1)	SEE NOTE 2 (a)	FOR SHEET 2
47151-0042										SEE NOTE 2 (2)			
47151-0062										SEE NOTE 2 (3)			
47151-0012										SEE NOTE 2 (1)			
47151-0052										SEE NOTE 2 (2)			
47151-0072										SEE NOTE 2 (3)			
47151-0022										SEE NOTE 2 (1)			
47151-0032	NATURE	SEE NOTE 2 (1)	SEE NOTE 2 (b)										
47151-0102	1.45	1.45	M3.0x0.5	16.08	13.38	WITH	W/O	WITH	W/O	BLACK	SEE NOTE 2 (1)	SEE NOTE 2 (a)	
47151-0142										SEE NOTE 2 (2)			
47151-0162										SEE NOTE 2 (3)			
47151-0112										SEE NOTE 2 (1)			
47151-0152										SEE NOTE 2 (2)			
47151-0172										SEE NOTE 2 (3)			
47151-0122										SEE NOTE 2 (1)			
47151-0132	NATURE	SEE NOTE 2 (1)	SEE NOTE 2 (b)										
47151-6002	1.80	2.20	M3.0x0.5	14.25	11.28	WITH	W/O	WITH	W/O	BLACK	SEE NOTE 2 (1)	SEE NOTE 2 (a)	
47151-6062										SEE NOTE 2 (2)			
47151-6082										SEE NOTE 2 (3)			
47151-6102	1.45	1.45	M3.0x0.5	14.25	11.28	WITH	W/O	WITH	W/O	BLACK	SEE NOTE 2 (1)		
47151-6172										SEE NOTE 2 (2)			
47151-6162										SEE NOTE 2 (3)			

REVISE NOTE EC NO: S2014-0536 DRWN:FC500 CHKD:JTAN02 APPR:KHLIM 2013/12/05 2013/12/17 2013/12/20	QUALITY SYMBOLS	GENERAL TOLERANCES (UNLESS SPECIFIED)	DIMENSION STYLE	SCALE	DESIGN UNITS	THIRD ANGLE PROJECTION	
	$F_A = 0$ $F_G = 0$ $F_P = 0$	mm INCH 4 PLACES ± --- ± --- 3 PLACES ± --- ± --- 2 PLACES ± 0.25 ± --- 1 PLACE ± 0.25 ± --- 0 PLACE ± ±	MM ONLY	NTS	METRIC	DRAWN BY: RZHANG DATE: 2004/07/20 CHECKED BY: GRMA DATE: 2004/07/20 APPROVED BY: YTYAP DATE: 2004/07/20	TITLE
		ANGULAR ± 3 °				1.0 HDMI RIGHT ANGLE HEADER ASSEMBLY(19 PIN) LEAD FREE	
		DRAFT WHERE APPLICABLE MUST REMAIN WITHIN DIMENSIONS				MATERIAL NO. SEE SHEET 6 DOCUMENT NO. SD-47151-001	SHEET NO. 6 OF 8



ASSEMBLY P/N	DIMENSION					FEATURE				HOUSING COLOUR	GOLD PLATING IN CONACT AREA	SHELL PLATING	REMARK										
	DIM A	DIM B	DIM C	DIM D	DIM E	FLANGE	BACK COVER	TOP HOLES	MYLAR														
47151-1001	1.80	2.20	/	/	/	W/O	WITH	WITH	W/O	BLACK	SEE NOTE 2 (a)	FOR SHEET 3	SEE NOTE 2 (1)										
47151-1041													SEE NOTE 2 (2)										
47151-1051													SEE NOTE 2 (3)										
47151-1003													SEE NOTE 2 (4)										
47151-1061													SEE NOTE 2 (1)										
47151-1071									WITH	BLACK			SEE NOTE 2 (2)										
47151-1081									SEE NOTE 2 (3)														
47151-1011									W/O	NATURE			SEE NOTE 2 (1)										
47151-1211													SEE NOTE 2 (2)										
47151-1311													SEE NOTE 2 (3)										
47151-1021													BLACK	SEE NOTE 2 (1)									
47151-1091													SEE NOTE 2 (3)										
47151-1031									NATURE	SEE NOTE 2 (1)													
47151-1101									1.45	1.45			/	/	/	W/O	WITH	WITH	W/O	BLACK	SEE NOTE 2 (a)	FOR SHEET 5	SEE NOTE 2 (1)
47151-1141																							SEE NOTE 2 (2)
47151-1151	SEE NOTE 2 (3)																						
47151-1111	SEE NOTE 2 (1)																						
47151-1161	NATURE	SEE NOTE 2 (2)																					
47151-1171	SEE NOTE 2 (3)																						
47151-1121	BLACK	SEE NOTE 2 (1)																					
47151-1131	NATURE	SEE NOTE 2 (1)																					
47151-7102	1.45	1.45	M3.0x0.5	16.08	13.38	WITH	WITH	W/O			W/O	BLACK							SEE NOTE 2 (1)				
47151-7142																			SEE NOTE 2 (2)				
47151-7162									SEE NOTE 2 (3)														

REVISE NOTE EC NO: S2014-0536 DRWN:FC500 CHKD:JTAN02 APPR:KHLIM 2013/12/05 2013/12/17 2013/12/20	QUALITY SYMBOLS $F_A=0$ $F_G=0$ $F_P=0$	GENERAL TOLERANCES (UNLESS SPECIFIED)		DIMENSION STYLE MM ONLY		SCALE NTS	DESIGN UNITS METRIC	THIRD ANGLE PROJECTION		
			mm	INCH	DRAWN BY	DATE	TITLE			
		4 PLACES	± ---	± ---	RZHANG	2004/07/20	1.0 HDMI RIGHT ANGLE HEADER ASSEMBLY(19 PIN) LEAD FREE			
		3 PLACES	± ---	± ---	CHECKED BY	DATE				
		2 PLACES	± 0.25	± ---	GRMA	2004/07/20				
1 PLACE	± 0.25	± ---	APPROVED BY	DATE	MATERIAL NO.		DOCUMENT NO.		SHEET NO.	
0 PLACE	±	±	YTYAP	2004/07/20	SEE SHEET 6		SD-47151-001		7 OF 8	
ANGULAR ± 3 ° DRAFT WHERE APPLICABLE MUST REMAIN WITHIN DIMENSIONS			THIS DRAWING CONTAINS INFORMATION THAT IS PROPRIETARY TO MOLEX INCORPORATED AND SHOULD NOT BE USED WITHOUT WRITTEN PERMISSION							

ASSEMBLY P/N	DIMENSION					FEATURE				HOUSING COLOUR	GOLD PLATING IN CONTACT AREA	SHELL PLATING	REMARK																	
	DIM A	DIM B	DIM C	DIM D	DIM E	FLANGE	BACK COVER	TOP HOLES	MYLAR																					
47151-1002	1.80	2.20	M3.0x0.5	16.08	13.38	WITH	WITH	WITH	W/O	BLACK	SEE NOTE 2 (a)	SEE NOTE 2 (1)																		
47151-1042													SEE NOTE 2 (2)																	
47151-1052													SEE NOTE 2 (3)																	
47151-1062													SEE NOTE 2 (4)																	
47151-2062													SEE NOTE 2 (4)																	
47151-1012									W/O	NATURE			M3.0x0.5	16.08	13.38	WITH	WITH	WITH	WITH	BLACK	SEE NOTE 2 (1)	SEE NOTE 2 (2)								
47151-1072																							SEE NOTE 2 (3)							
47151-1082																							SEE NOTE 2 (1)							
47151-1022																							SEE NOTE 2 (2)							
47151-1032																							SEE NOTE 2 (1)							
47151-1102	1.45	1.45	M3.0x0.5	16.08	13.38	WITH	WITH	WITH	W/O	BLACK	SEE NOTE 2 (a)	SEE NOTE 2 (1)																		
47151-1142																			SEE NOTE 2 (2)											
47151-1152																			SEE NOTE 2 (3)											
47151-1112																			SEE NOTE 2 (1)											
47151-1162									NATURE	SEE NOTE 2 (2)									M3.0x0.5	16.08			13.38	WITH	WITH	WITH	W/O	BLACK	SEE NOTE 2 (b)	SEE NOTE 2 (1)
47151-1172													SEE NOTE 2 (2)																	
47151-1122													SEE NOTE 2 (3)																	
47151-1132													SEE NOTE 2 (1)																	
47151-1005	1.80	2.20	4-40	16.08	13.38	WITH	WITH	WITH	W/O	BLACK	SEE NOTE 2 (a)	SEE NOTE 2 (1)																		
47151-1045													SEE NOTE 2 (2)																	
47151-1065													SEE NOTE 2 (3)																	
47151-1015													SEE NOTE 2 (1)																	
47151-1035													SEE NOTE 2 (2)																	
47151-1055									WITH	BLACK			M3.0x0.5	16.08	13.38	WITH	WITH	WITH	NATURE	SEE NOTE 2 (3)	SEE NOTE 2 (a)	SEE NOTE 2 (1)								
47151-1025																							SEE NOTE 2 (1)							
47151-1075																							SEE NOTE 2 (2)							
47151-1085																							SEE NOTE 2 (3)							
47151-1026																							SEE NOTE 2 (1)							
47151-6012	1.80	2.20	M3.0x0.5	14.25	11.28	WITH	WITH	WITH	W/O	BLACK	SEE NOTE 2 (a)	SEE NOTE 2 (1)																		
47151-6042																			SEE NOTE 2 (2)											
47151-6052																			SEE NOTE 2 (3)											
47151-6022									WITH	BLACK									M3.0x0.5	14.25			11.28	WITH	WITH	WITH	WITH	SEE NOTE 2 (3)	SEE NOTE 2 (a)	SEE NOTE 2 (1)
47151-6032																														
47151-6112	SEE NOTE 2 (2)																													
47151-6142	1.45	1.45	M3.0x0.5	14.25	11.28	WITH	WITH	WITH	W/O	BLACK	SEE NOTE 2 (a)	SEE NOTE 2 (1)																		
47151-6152													SEE NOTE 2 (2)																	
47151-6152	W/O	BLACK							M3.0x0.5	14.25			11.28	WITH	WITH	WITH	W/O	BLACK	SEE NOTE 2 (a)	SEE NOTE 2 (3)										
47151-6152																					SEE NOTE 2 (1)									

FOR SHEET 4

REVISE NOTE EC NO: S2014-0536 DRWN:FC500 CHKD:JTAN02 APPR:KHLIM 2013/12/05 2013/12/17 2013/12/20	QUALITY SYMBOLS	GENERAL TOLERANCES (UNLESS SPECIFIED)	DIMENSION STYLE	SCALE	DESIGN UNITS	THIRD ANGLE PROJECTION	
	$F_A=0$ $F_G=0$ $F_P=0$	mm INCH 4 PLACES ± --- ± --- 3 PLACES ± --- ± --- 2 PLACES ± 0.25 ± --- 1 PLACE ± 0.25 ± --- 0 PLACE ± ±	MM ONLY	NTS	METRIC	DRAWN BY: RZHANG DATE: 2004/07/20 CHECKED BY: GRMA DATE: 2004/07/20 APPROVED BY: YTYAP DATE: 2004/07/20	TITLE
	ANGULAR ± 3 ° DRAFT WHERE APPLICABLE MUST REMAIN WITHIN DIMENSIONS	SEE SHEET 6 THIS DRAWING CONTAINS INFORMATION THAT IS PROPRIETARY TO MOLEX INCORPORATED AND SHOULD NOT BE USED WITHOUT WRITTEN PERMISSION	MATERIAL NO. SD-47151-001	DOCUMENT NO. SD-47151-001	SHEET NO. 8 OF 8	1.0 HDMI RIGHT ANGLE HEADER ASSEMBLY(19 PIN) LEAD FREE molex	
	L1	REV	A3	INCORPORATED AND SHOULD NOT BE USED WITHOUT WRITTEN PERMISSION			