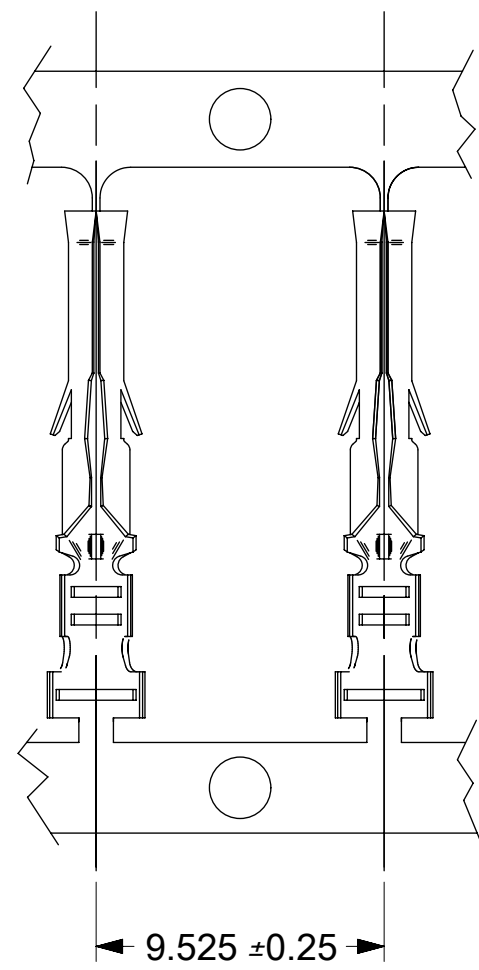
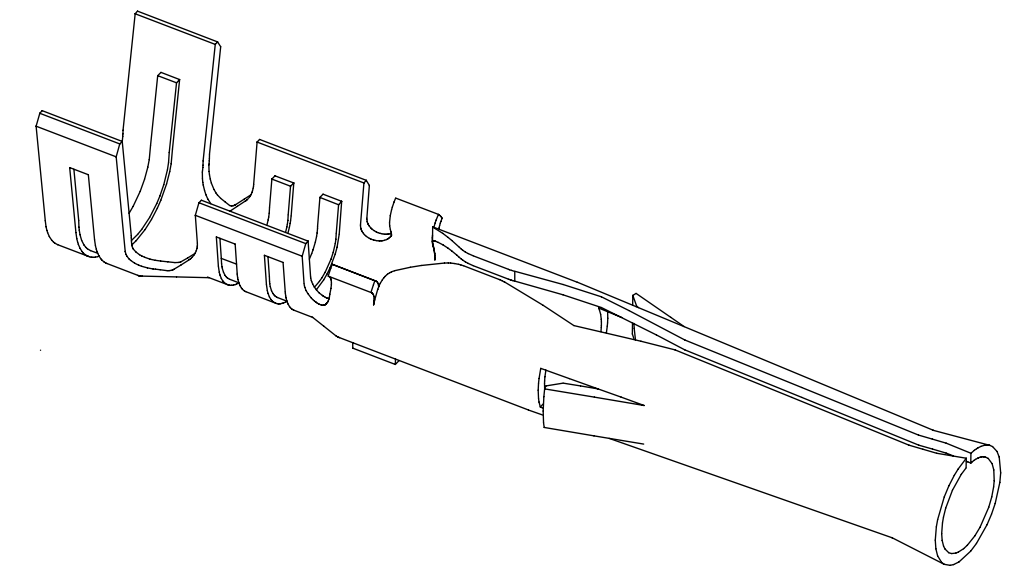
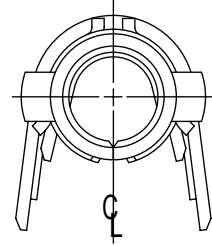
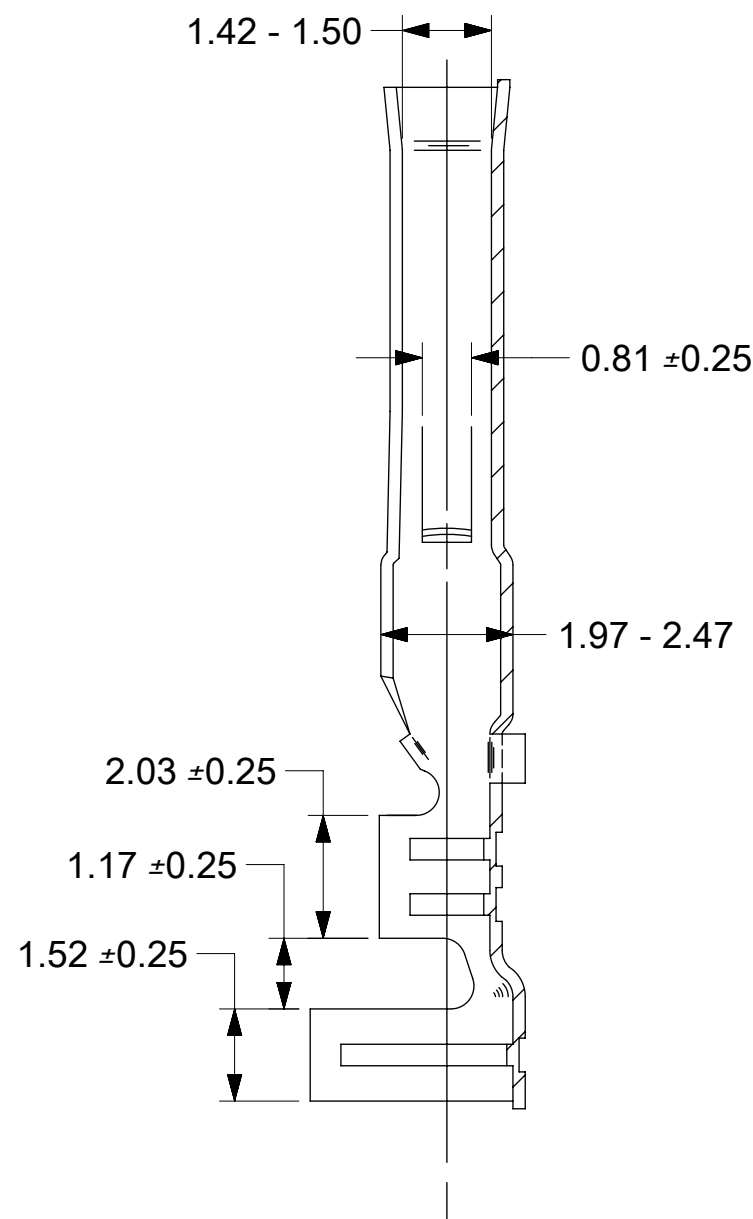
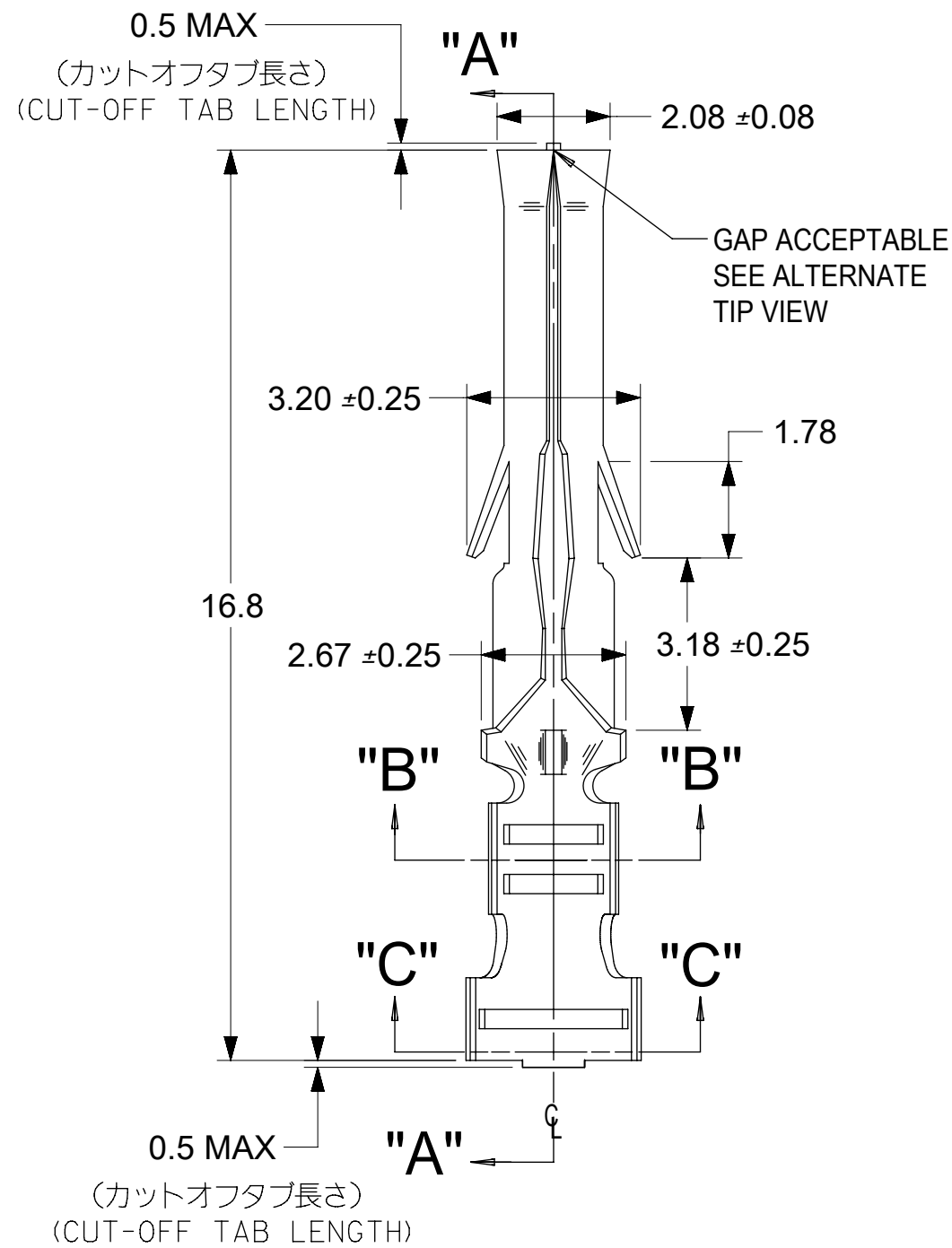


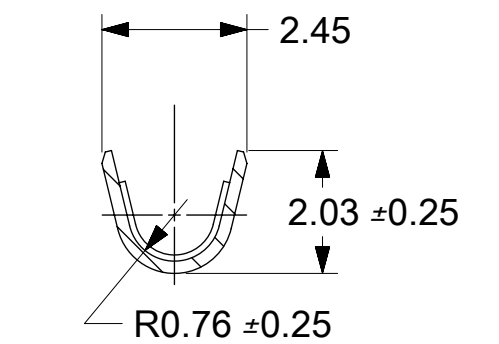
ALTERNATE TIP
GEOMETRY
SEE NOTE 7



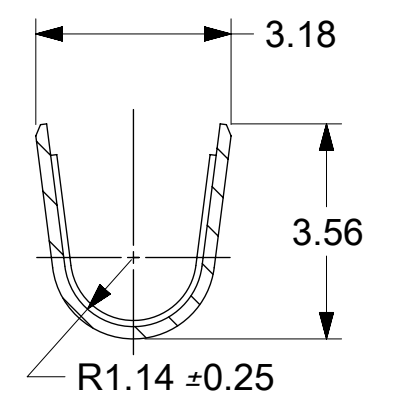
CHAIN FORM
SCALE: 4:1



SECT. "A-A"



SECT. "B-B"



SECT. "C-C"

NOTES:

1. MATERIAL: BRASS
2. FINISH: SEE CHART
3. PRODUCT SPECIFICATION: PS-02-06
4. PACKAGING INFORMATION: 15610000-PK
5. TERMINAL FOR USE WITH (1.57)/.062 DIA. SERIES HOUSINGS AND WILL ACCEPT 18 THRU 24 AWG WIRE WITH 1.5/3.1 INSULATION DIA.
6. PARTS CONFORM TO CLASS B REQUIREMENTS OF COSMETIC SPECIFICATION PS-45499-002.
7. TIP GEOMETRY IS TOOL DEPENDENT. EITHER GEOMETRY IS ACCEPTABLE.

一般公差: ±0.4
GENERAL TOLERANCES: ±0.4

| | | | |
|---|------------|---------|-----------------------------|
| 銅 (0.5 μm MIN.) 下地 錫 (0.9 μm MIN.) TIN (0.9 μm MIN.) OVER COPPER (0.5 μm MIN.) | 39-00-0331 | 156 ITL | バラ端子 LOOSE |
| メッキ PLATING | EDP.NO. | ENG.NO. | 連鎖端子 CHAIN 形状 FORM |

| | | | |
|---------|---|------------------------|---|
| SYMBOLS | THIS DRAWING CONTAINS INFORMATION THAT IS PROPRIETARY TO MOLEX ELECTRONIC TECHNOLOGIES, LLC AND SHOULD NOT BE USED WITHOUT WRITTEN PERMISSION | | |
| | DIMENSION UNITS | SCALE | CURRENT REV DESC: UPDATE GRAPHICS, REMOVE 1561G AND GL |
| ▽ = 0 | mm | 8:1 | EC NO: 632666 DRWN: MKIPPER 2019/03/06 CHK'D: DSTEIER 2020/02/26 APPR: FSMITH 2020/06/05 |
| ▽ = 0 | GENERAL TOLERANCES (UNLESS SPECIFIED) | | |
| ▽ = 0 | ANGULAR TOL ± ° | | INITIAL REVISION: DRWN: YAOYAGI 2009/02/16 APPR: NUKITA 2009/02/17 |
| ▽ = 0 | 4 PLACES ± | | |
| ▽ = 0 | 3 PLACES ± | | DOCUMENT NUMBER SD-1561-001 DOC TYPE DOC PART REVISION PSD 001 M |
| ▽ = 0 | 2 PLACES ± | | |
| ▽ = 0 | 1 PLACE ± | | MATERIAL NUMBER SEE CHART CUSTOMER GENERAL MARKET SHEET NUMBER 1 OF 1 |
| ▽ = 0 | 0 PLACES ± | | |
| ▽ = 0 | DRAFT WHERE APPLICABLE MUST REMAIN WITHIN DIMENSIONS | THIRD ANGLE PROJECTION | DRAWING C-SIZE |
| ▽ = 0 | | SERIES 1561 | |

| |
|-------------------------------------|
| 材料 MATERIAL 黄銅 BRASS 0.2 t |
| 仕上げ FINISH |
| 適用電線範囲 WIRE RANGE AWG# 18-#24 |
| 被覆外径 INS. RANGE ∅ 1.5~3.1 |

molex

.062 DIA CRIMP FEMALE
TERMINAL

PRODUCT CUSTOMER DRAWING

| | | | |
|-----------------|----|--------------|---------------------|
| DOCUMENT STATUS | P1 | RELEASE DATE | 2020/06/05 20:49:08 |
|-----------------|----|--------------|---------------------|