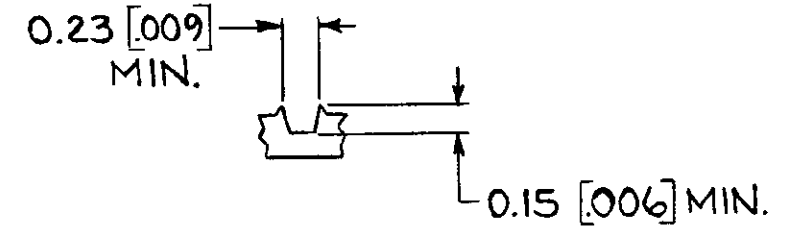
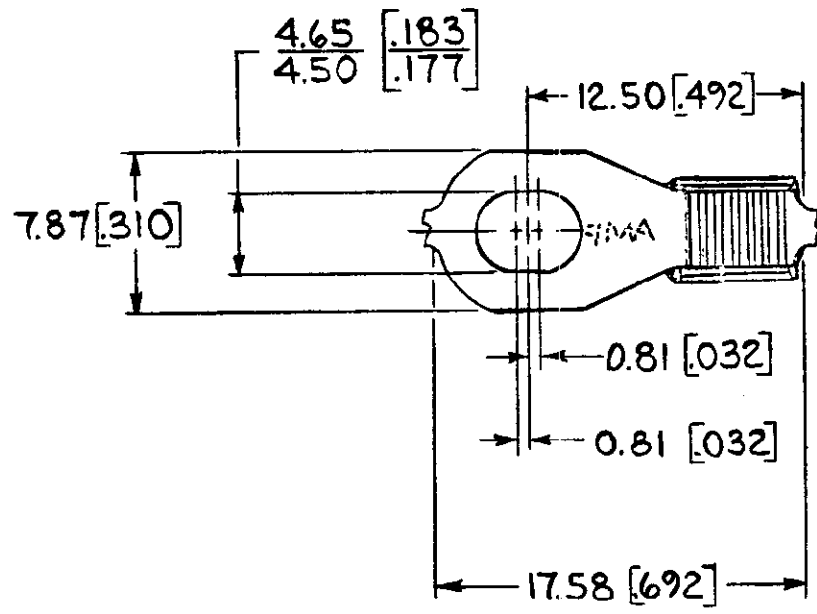
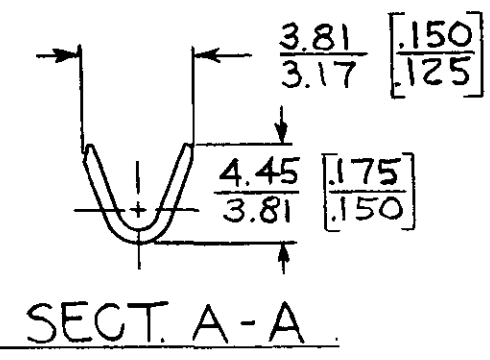
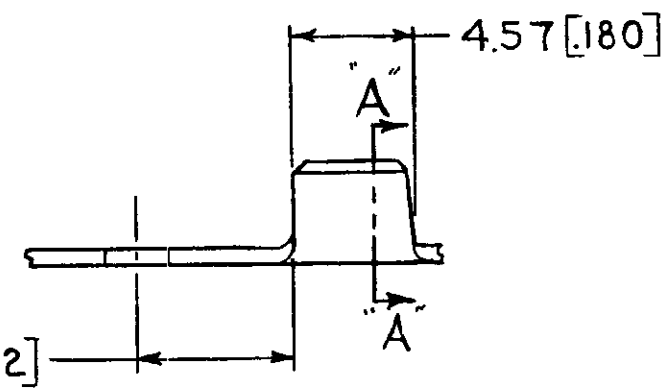


THIS DRAWING IS UNPUBLISHED. RELEASED FOR PUBLICATION, 19  
 © COPYRIGHT 1981 BY AMP INCORPORATED, HARRISBURG, PA. ALL INTERNATIONAL RIGHTS RESERVED. AMP PRODUCTS MAY BE COVERED BY U.S. AND FOREIGN PATENTS AND/OR PATENTS PENDING.

REVISIONS						
P	F	ZONE	LTR	DESCRIPTION	DATE	APPROVED
/	/			PER ECN A-5035		
/	/		A	REVISED PER A-5059	7-1-81	RLS/RPF 7-1-81
/	/		B	RELEASED FROM PROD. ADDED .190/.165	12-17-81	RLS/G4
/	/		C	REVISED PER A-5347	1-26-82	SS/G4
/	/		D	RELEASED FROM PROD.	2-18-82	RLS/
/	/		E	ADDED -2 PER TTI 85/97	6/10/85	SS/G4
/	/		F	OBSOLETE -2 PER 0710-0273-96	15JUN/85	PmF 44
			G	REVISE PER ECR-13-013738	15FEB14	GRZ/JL



SERRATION DETAIL APPLIES ONLY AT STRAIGHT PORTION ON SIDE OF BARREL.



**NOTE:**

- 1. CONTINUOUS STRIP ON REELS.
- 2. DIMS. IN BRACKETS ARE IN INCHES.

<del>OBSOLETE</del>	<del>FIN</del>	1.19-1.78 mm DIA #17-#13 1/2	63147-2
	NONE	1.19-1.78 mm DIA #17-#13 1/2	63147-1
	FINISH	WIRE RANGE	PART NO

**METRIC**

UNLESS OTHERWISE SPECIFIED DIMENSIONS ARE IN <del>INCHES</del> mm TOLERANCES ON: DECIMALS ± 0.38 [.015] ANGLES ±	CONTRACT NO		<b>AMP</b>   AMP INCORPORATED Harrisburg, Pa.	
	DR <i>R.L. Smyers</i> 5-27-81			
MATERIAL 0.51 [.020] THK. BRASS	CHK <i>G Yetter</i> 4/22/81		NAME <b>RING-AMPLIVAR</b> 7 SERRATION	
	APPD <i>R.P. Frantz</i> 6-22-81 APPD <i>E. Rode</i> 6-22-81		DRAWING NO <b>63147</b>	
FINISH SEE TABLE	DSGN APPD	SIZE <b>B</b>	FSCM NO <b>00779</b>	SHEET
	OTHER APPD	SCALE <i>1/2</i>		