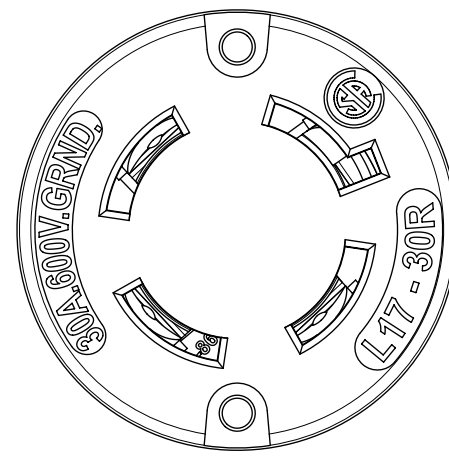
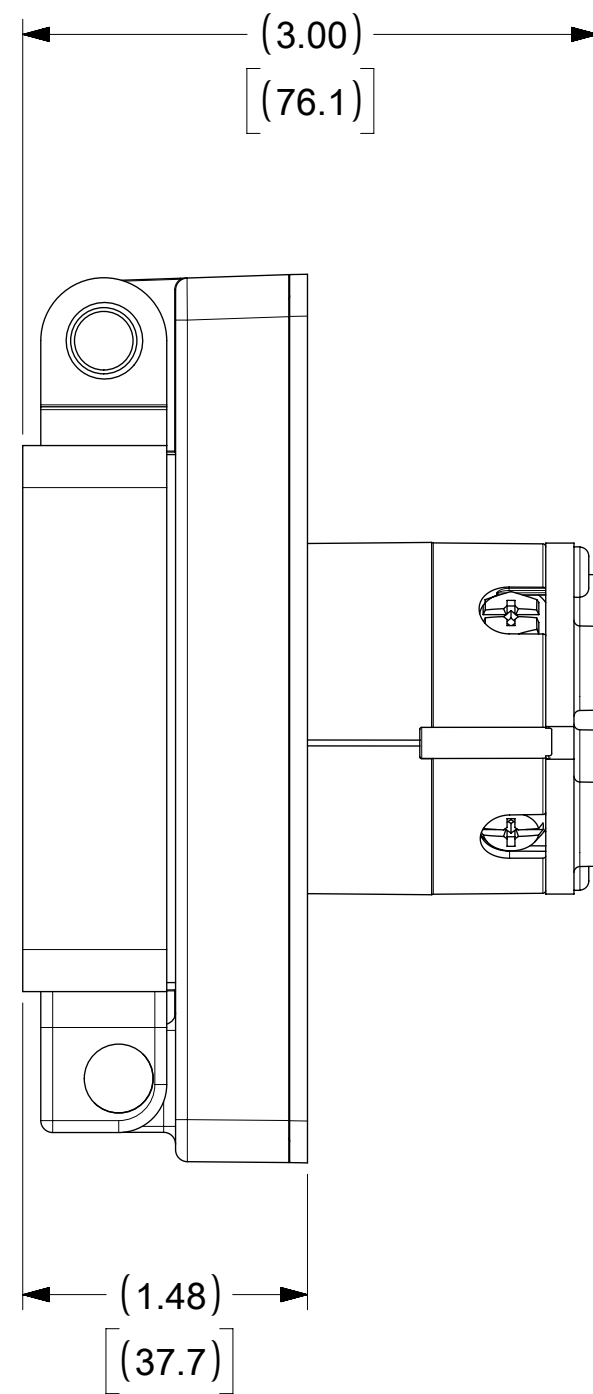
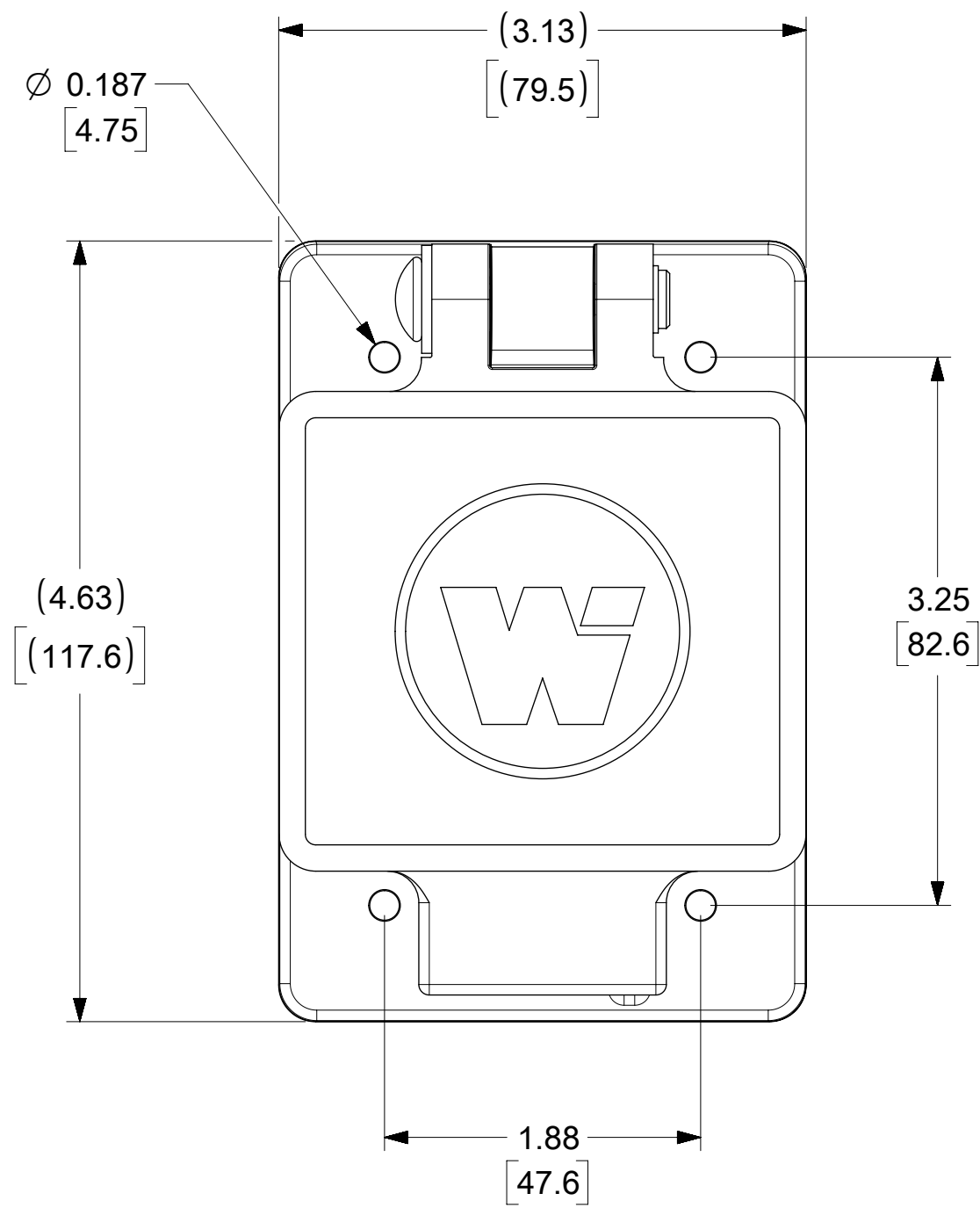
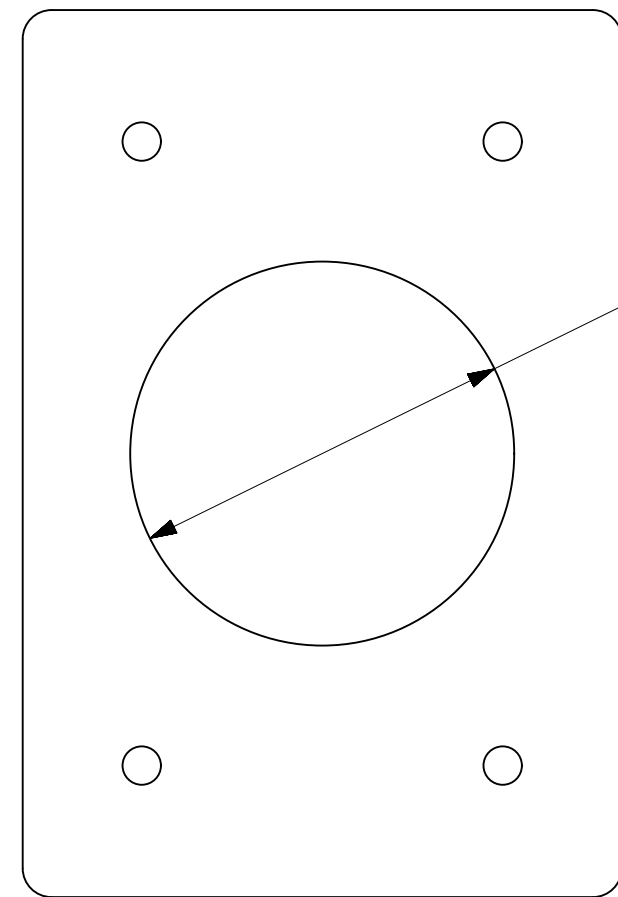
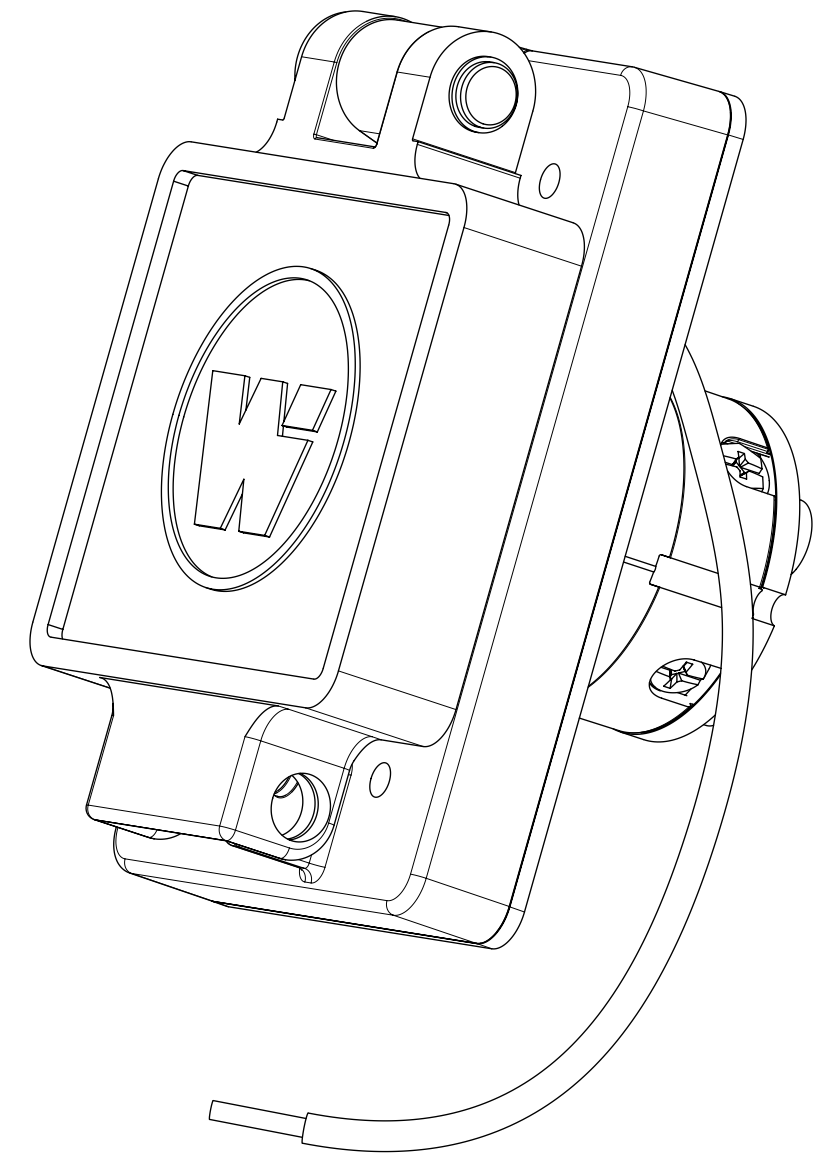


ORDER NO.	WOODHEAD NO.	COLOR
130147-0176	69W77	YELLOW



FACE VIEW



CLEARANCE HOLE  
(FOR PANEL MOUNT)

DESCRPTION	MATERIAL	QTY.
BLADES	BRASS, NICKEL PLATED	3
RETAINING SCREWS	STAINLESS STEEL	3
CLAMP AND TERMINAL SCREW ASSY.	BRASS, ZINC PLATED	3
FEMALE INSERT	NYLON	1
TERMINAL COVER	POLYCARBONATE	1
COVER ASSEMBLY	POLYCARBONATE, STAINLESS STEEL, ALUMINUM	1
GASKET FLIP	NEOPRENE	1
SUPPORT PLATE	STAINLESS STEEL	1
SCREW (GROUND WIRE)	STAINLESS STEEL	1
JUMPER WIRE ASSY	COPPER, BRASS (TINNED FINISH)	1

THIS DRAWING CONTAINS INFORMATION THAT IS PROPRIETARY TO MOLEX ELECTRONIC TECHNOLOGIES, LLC AND SHOULD NOT BE USED WITHOUT WRITTEN PERMISSION									
SYMBOLS		DIMENSION UNITS		SCALE		CURRENT REV DESC: MIGRATE TO ECTR/NX			
▽ = 0		INCH[MM]		NTS		<p>EC NO: 613948</p> <p>DRWN: SRPATIL 2018/12/26</p> <p>CHK'D: DNGUYEN62 2019/03/19</p> <p>APPR: HKNEELAND 2019/03/22</p> <p>INITIAL REVISION:</p> <p>DRWN: SRPATIL 2018/12/26</p> <p>APPR: HKNEELAND 2019/03/22</p>			
▽ = 0		GENERAL TOLERANCES (UNLESS SPECIFIED)							
▽ = 0		MM		INCH					
▽ = 0		4 PLACES ±		±		<p>PRODUCT CUSTOMER DRAWING</p> <p>DOCUMENT NUMBER: 1301470176</p> <p>DOC TYPE: PSD</p> <p>DOC PART: 000</p> <p>REVISION: A</p>			
▽ = 0		3 PLACES ±		±					
▽ = 0		2 PLACES ±		±		<p>MATERIAL NUMBER: SEE TABLE</p> <p>CUSTOMER: GENERAL MARKET</p> <p>SHEET NUMBER: 1 OF 1</p>			
▽ = 0		1 PLACE ±		±					
▽ = 0		0 PLACES ±		±					
▽ = 0		ANGULAR TOL ± °		°					
▽ = 0		DRAFT WHERE APPLICABLE MUST REMAIN WITHIN DIMENSIONS		THIRD ANGLE PROJECTION		DRAWING		SERIES	
▽ = 0				C-SIZE		130147			