

NOTES:

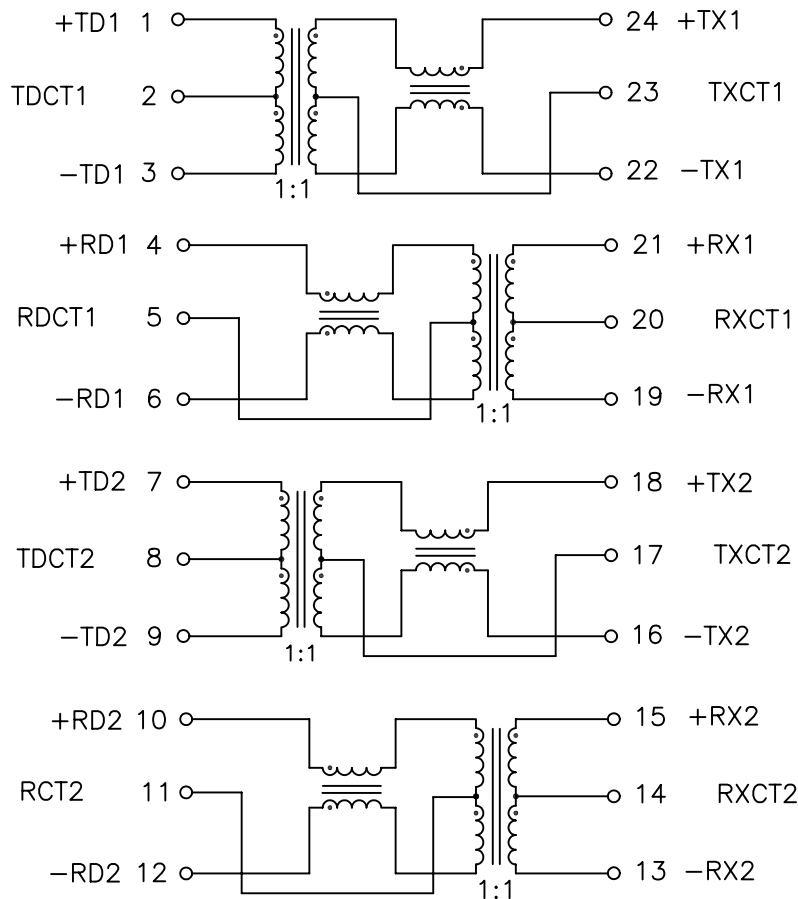
1. ROHS COMPLIANT
2. HEADER: DAP (DIALLYL PHTHALATE) WITH FLAMMABILITY RATING UL 94V-0 OR BETTER.
3. STORAGE TEMPERATURE: -20°C TO +125°C
4. COMPLIANCE TO J-STD:
  - A. J-STD-002: SOLDERABILITY AT 245°C REFLOW PROFILE
  - B. J-STD-020: LEVEL 1, NO MOISTURE SENSITIVE
  - C. J-STD-075: R7, 245°C MAXIMUM THROUGH REFLOW SOLDER
5. TO ORDER TAPE & REEL PACKAGING ADD A "T" SUFFIX TO THE PART NUMBER(i.e H1174FNL BECOMES H1174FNLT).



FINAL OUTLINE

© Copyright, 2014. Pulse Electronics Corp. All rights reserved. Pulse confidential & proprietary. (06/16/14)

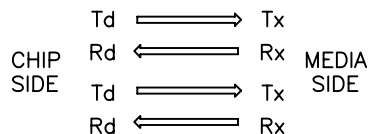
PRODUCT DESCRIPTION	TLA DRAWING	PS DRAWING	SHEET	PART NO.	DATASHEET REV.
MDL,DUAL,100D,1:1,SM,TU	H1174FNL-12	PS-2760.001-A	1 OF 3	H1174FNL	A



SCHMATIC

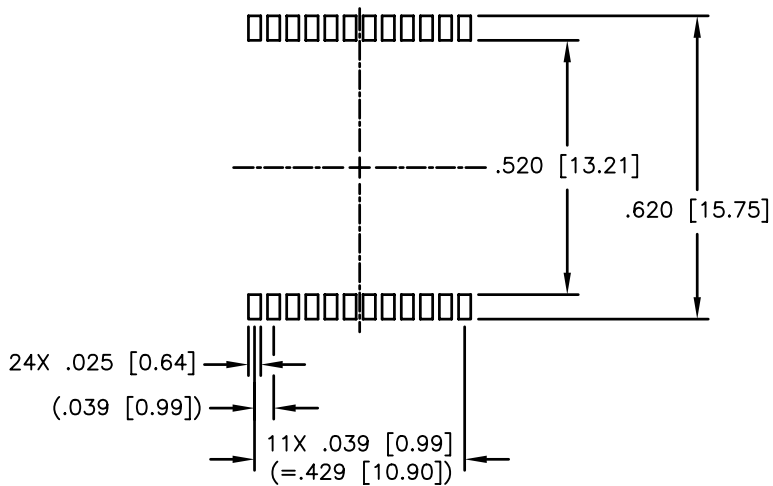
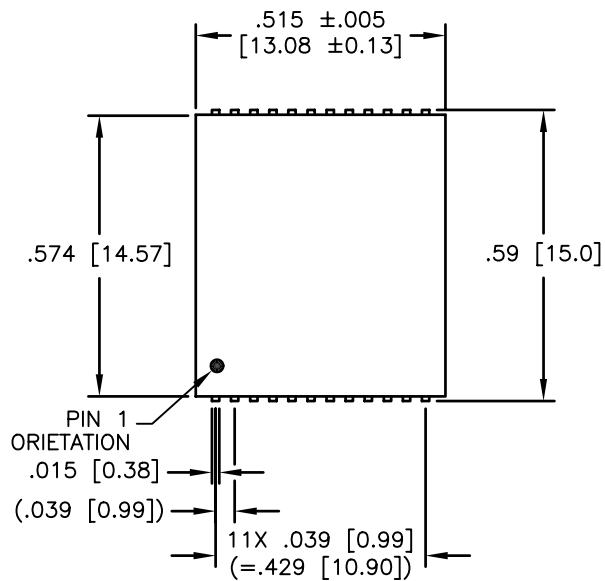
ELECTRICAL CHARACTERISTICS AT +25°C UNLESS OTHER SPECIFIED  
MEETS IEEE 802.3 SPECIFICATION

PARAMETER	SPECIFICATIONS	
OPERATING TEMP	0°C – 70 °C	
TURNS RATIO	1 : 1 ±2%	
POLARITY	PER SCHEMATIC	
INSERTION LOSS	1–100 MHz	125 MHz
	-1.0 dB MAX	-1.2 dB MAX
RETURN LOSS Z <sub>OUT</sub> = 100 OHMS	1 MHz	30–80 MHz
	-20 dB MIN	-18+26 LOG <sub>10</sub> (f/30 MHz) dB MIN
CROSSTALK (TX–RX)	5–100 MHz	
	-50+12 LOG <sub>10</sub> (f/5 MHz) dB MIN	
DIFFERENTIAL TO COMMON MODE REJECTION	5–200 MHz	
	-50+17 LOG <sub>10</sub> (f/5 MHz) dB MIN	
COMMON MODE REJECTION	-50+17 LOG <sub>10</sub> (f/5 MHz) dB MIN	
ISOLATION (INPUT – OUTPUT)	1500 VRMS 1 MINUTE	

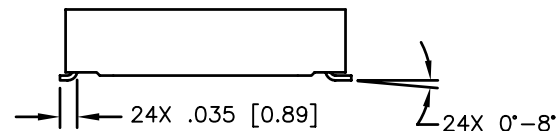
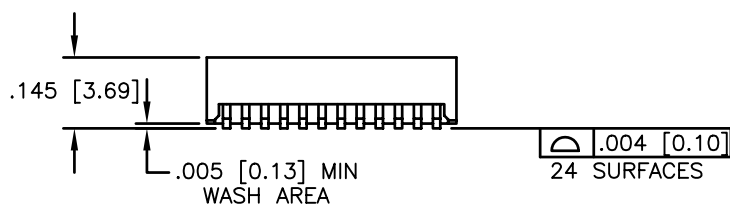


© Copyright, 2014. Pulse Electronics Corp. All rights reserved. Pulse confidential & proprietary. (06/16/14)

PRODUCT DESCRIPTION	TLA DRAWING	PS DRAWING	SHEET	PART NO.	DATASHEET REV.
MDL,DUAL,100D,1:1,SM,TU	H1174FNL-12	PS-2760.001-A	2 OF 3	H1174FNL	A



SUGGESTED LAND PATTERN



DIMENSIONS ARE IN INCHES [MILLIMETERS] WITH THE FOLLOWING TOLERANCES: [MILLIMETERS] ARE FOR REFERENCE ONLY.  
.XX= ±.01 [±0.25]  
.XXX= ±.005 [±0.13]

© Copyright, 2014. Pulse Electronics Corp. All rights reserved. Pulse confidential & proprietary. (06/16/14)

PRODUCT DESCRIPTION	TLA DRAWING	PS DRAWING	SHEET	PART NO.	DATASHEET REV.
MDL,DUAL,100D,1:1,SM,TU	H1174FNL-12	PS-2760.001-A	3 OF 3	H1174FNL	A