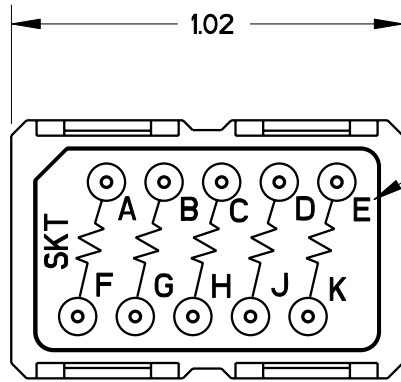
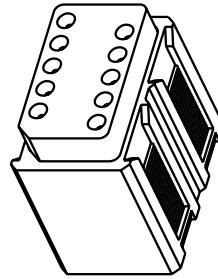


REV	ECN	APP'D
A	5722	



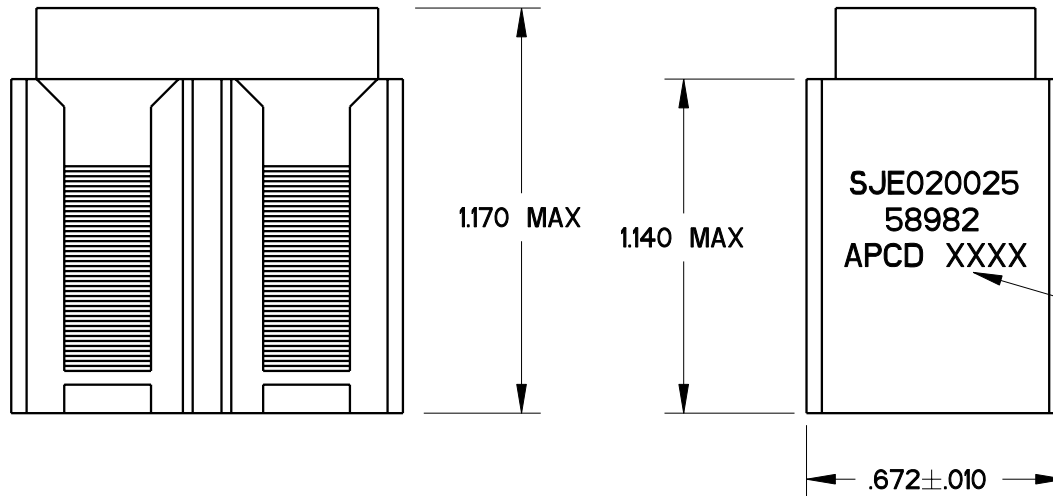
WHITE MARKING
PER AW-2302



SCALE 1:1

NOTES:

- MATERIALS:
 BODY: POLYETHERIMIDE PER MIL-P-46184.
 GROMMET: SILICONE BLEND ELASTOMER.
 DIODE: MIL-S-19500 (SEE TABLE)
 INTERNAL PIN CONTACT:
 COPPER ALLOY, HARD GOLD PLATE PER MIL-G-45204.
- PERFORMANCE SPECIFICATION PER MIL-T-81714.
 (SUBJECT TO LIMITATIONS OF THE
 ELECTRONIC COMPONENTS)
 TEMPERATURE: -65°C TO 200°C.
 INSULATION RESISTANCE: 5000 MEGOHMS MIN AT 25°C.
 DIELECTRIC WITHSTANDING VOLTAGE:
 1500 VRMS AT SEA LEVEL,
 AND 200 VRMS AT 100,000 FT. ALTITUDE.
 CURRENT RATING: 7.5A FOR SIZE 20 CONTACTS.
 VIBRATION AND SHOCK: PER MIL-T-81714 PARA 3.5.8 & 9.
- MODULE ACCEPTS SOCKET CONTACTS (10) M39029/22-192.
- MODULE TO BE MOUNTED ON M81714/67 RAIL SYSTEM.



DATE CODE
.06 HIGH MARKING
COLOR: WHITE

DIMENSIONS ANSI Y14.5M UNITS: INCHES Pro/E FILE	TOLERANCES .XX ±0.01 .XXX ±0.005 ANGLES ±1.0°	PROJECTION 	Amphenol Pcd SPECIFICATION DRAWING		ELECTRONIC MODULE 100 OHM 1/8 W		
			DRWN J. TON 01/17/02	TITLE		SIZE A	DWG NO. SJE020025_C
THIS DOCUMENT CONTAINS PROPRIETARY INFORMATION WHICH IS THE CONFIDENTIAL PROPERTY OF AMPHENOL PCD, BEVERLY, MA			ENGR A. PATRIE 1-14-02	APPD J. TON 1-14-02	CODE: 58982	SCALE: 2:1	SHEET 1 OF 1