

# Contactor

## RLY700 Series

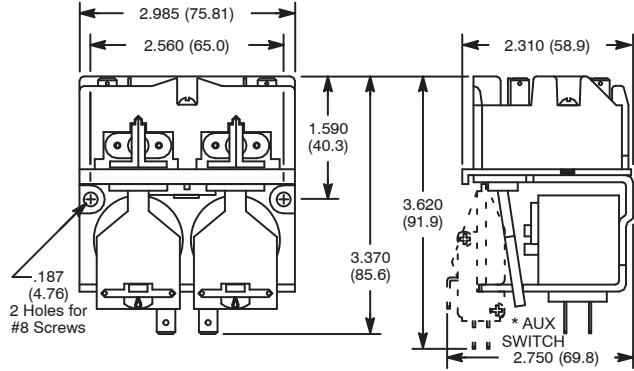
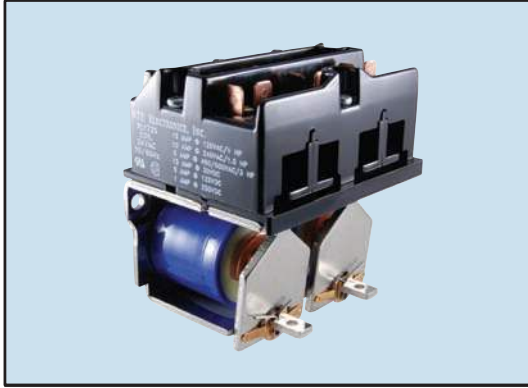


## 2-Coil, Compact Motor Reversing Contactors, 15 Amp, 6 Pole-DM (3 Per Coil)

D75

### Features

- .250" (6.35mm) Quick Connect Terminals
- Encapsulated Coils
- Mechanical Interlock, Center Off when Both Coils are Not Energized
- 2 or 4 Optional Auxiliary Switches



\* Auxiliary switch not included.

## Electrical Specifications

### Contact

- Rating:** 15 Amp @ 120 VAC/1 HP  
 10 Amp @ 240 VAC/1.5 HP  
 5 Amp @ 480/600 VAC/3 HP  
 15 Amp @ 30 VDC  
 5 Amp @ 125 VDC  
 1 Amp @ 250 VDC

**Material:** Silver-cadmium oxide

### Coil

- Coil Voltages:** See Chart  
**Pull-In Voltage:** 85% of nominal or less for AC  
 80% of nominal or less for DC  
**Dropout Voltage:** 10% of nominal voltage or more @ 25°C  
**Max. Allowed Voltage:** 110% of nominal voltage  
**Resistance:** ±10% measured @ +25°C

### Operational Characteristics

- Timing Value** . . . . . **Operate Time:** 50 ms or less } at nominal  
**Release Time:** 30 ms or less } coil voltage

### Insulation Characteristics

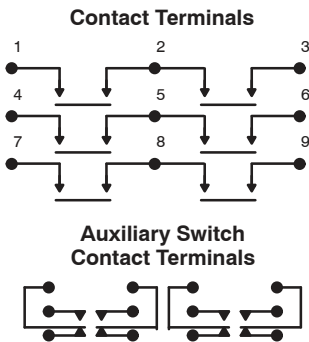
- Dielectric Strength**  
**All Insulated Points:** 2500V RMS  
**Insulated Resistance:** 500 VDC Exceeds 1000 MΩ

### Environmental Characteristics

- Operating:** -45°C to +50°C (AC)  
 -45°C to +70°C (DC)

### Life

- Mechanical:** 5,000,000 Operations  
**Electrical:** 100,000 Operations @ Rated Load  
 500,000 Operations @ 1/2 Rated Load



DC OPERATED				
NTE Type No.	Coils			Diag No.
	Input Voltage V	Nom. Power	Resistance 10% Ohms	
RLY715	24 DC	4.6 W	125	D75
AC OPERATED				
RLY725	24 AC	16.7 VA	4.63	D75
RLY755	120 AC	16.8 VA	125	D75

ACCESSORIES	
DESCRIPTION	NTE TYPE NO.
Auxiliary Switch, SPDT, .250" Quick Connect Terminals, 2-Switch	RLY9183
Auxiliary Switch, SPDT, .250" Quick Connect Terminals, 4-Switch	RLY9184