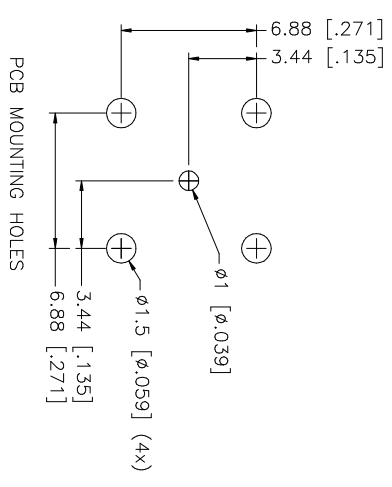
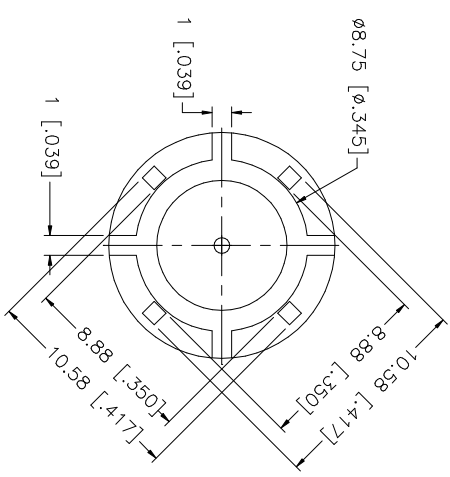
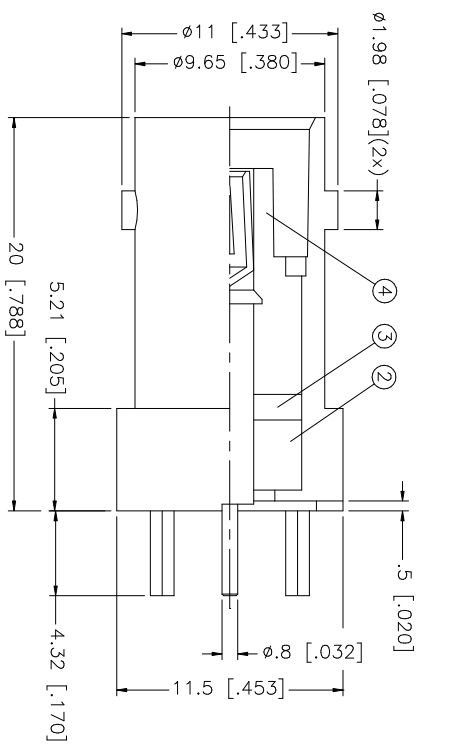


REV.	DATE	DESCRIPTION
A	01/10/04	UPDATE DRAWING FORMAT



NO.	DESCRIPTION	MATERIAL	FINISH	QTY	UNLESS OTHERWISE SPECIFIED DIMENSIONS ARE IN INCHES AND FOR CUSTOMER REFERENCE ONLY.	UNLESS OTHERWISE SPECIFIED TOLERANCES FOR MILLIMETERS ARE:	UNLESS OTHERWISE SPECIFIED TOLERANCES FOR INCHES ARE:	APPROVALS	DATE	PART DESCRIPTION	
8										<b>Amphenol Connex</b> BNC P.C. MOUNT RECEPTACLE JACK (WATERPROOF) 112591	
7								DRAWN	G.R.S.		01/10/04
6								CHECKED			
5	LOCK RING	BRASS	NICKEL	1		0.5 - 8mm ± 0.20mm		ISSUED			
4	GASKET	SILICONE	RED	1		8 - 30mm ± 0.40mm		SHEET	1 OF 1		
3	CONTACT PIN	PHOS. BRONZE	GOLD	1		30 - 120mm ± 0.50mm		CAD FILE			
2	INSULATOR	TEFLON	NATURAL	2			.020 - .315 = ± 0.007"	DWG. NO.			112591.DWG
1	BODY	BRASS	NICKEL	1			.315 - 1.180 = ± 0.015"	REV.	A		
	DESCRIPTION	MATERIAL	FINISH	QTY			1.180 - 4.724 = ± 0.020"	SIZE	A		
							DO NOT SCALE DRAWING	SCALE	NA		