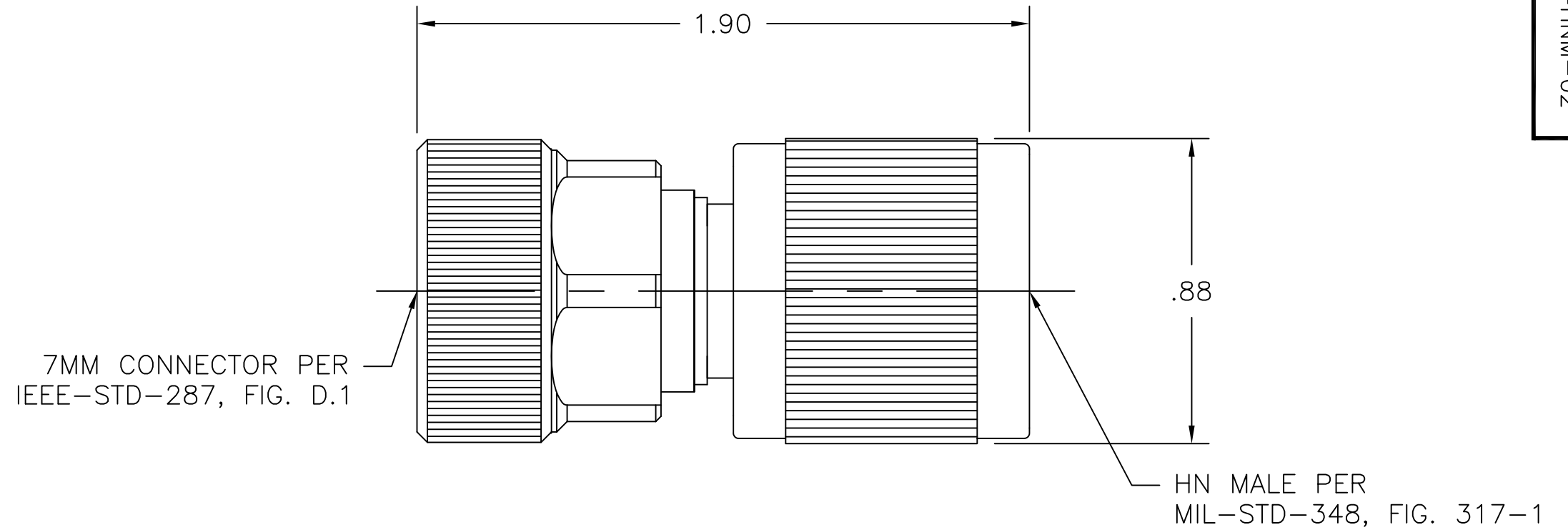



NOTES: UNLESS OTHERWISE SPECIFIED.

1. MATERIALS & FINISH:
  - 1.1 HOUSING: PASSIVATED STAINLESS STEEL
  - 1.2 CENTER CONTACT: GOLD PLATED BERYLLIUM COPPER
  - 1.3 DIELECTRIC: PTFE (TEFLON)
  - 1.4 GASKET: SILICONE RUBBER
2. ELECTRICAL SPECIFICATIONS:
  - 2.1 FREQUENCY RANGE: DC TO 8 GHz
  - 2.2 VSWR (MAX): 1.10:1
  - 2.3 IMPEDANCE: 50 OHMS NOMINAL



REV.	DESCRIPTION	DATE
-	RELEASED	5/12/05
A	ECO 25451	9/28/15

This PROPRIETARY Document is property of Cinch Connectivity Solutions. It is confidential in nature, non-transferable, and issued with the clear understanding that it is no traced or copied without permission and is returnable upon demand.		CAGE CODE <b>34078</b>		<b>MIDWEST MICROWAVE</b>	
INTERPRET DRAWING ACCORDANCE WITH ASME Y14.5-2009.				TITLE ADAPTER 7MM TO HN PLUG	
<b>UNLESS OTHERWISE NOTED DIMENSIONS ARE IN INCHES AND TOLERANCES ARE:</b> 3 PLACE DECIMALS ±.005 2 PLACE DECIMALS ±.02 FRACTIONS ±1/64 PARALLELITY: T.I.R. _____ FLATNESS: T.I.R. _____ CONCENTRICITY: T.I.R. _____ ANGLES AND PERPENDICULARITY: ±1°				DRAWN/DATE S. ORLOV 5/12/05	ENG./DATE G. HOUGHTON 5/12/05
		CHECKED/DATE J. KEREKES 9/28/15	APPROVED/DATE J. KEREKES 9/28/15	SCALE: 2=1	SHEET 1 of 1