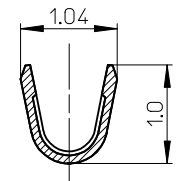
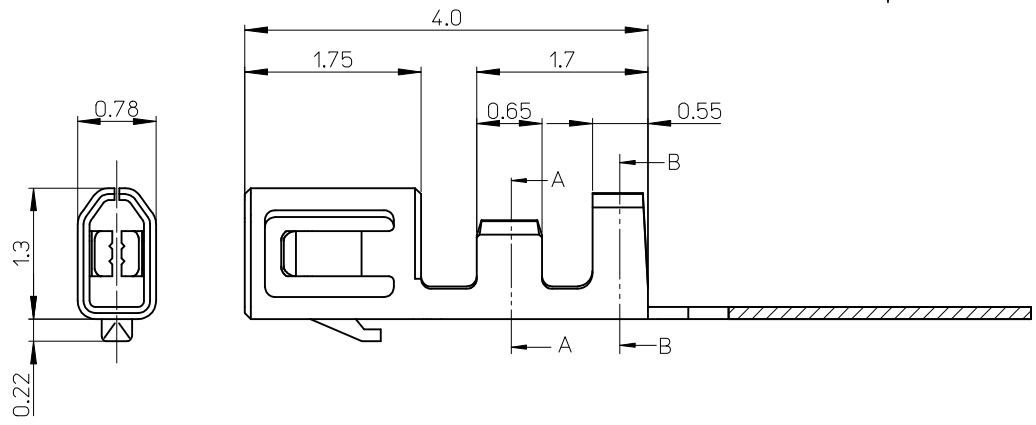


SECT. B-B



SECT. A-A



NOTES.

1. MATERIAL
 - PHOSPHORBRONZE, 0.12mm THICKNESS
 - FINISH:
 - Sn : 1.0μmMIN. REFLOW TREATMENT (PRE-PLATED)
2. MATED HOUSING : 104079-0300 / 104051-0290
3. APPLICABLE WIRE RANGE : AWG#28
 - (INSULATION RANGE 0.97 DIA.mm MAX.) (A1)

REVISED EC NO: KOR2012-0128 DRWN:CBCHN CHKD:SHCHU APPR:YSKIM02	2012/06/15 2012/06/15 2012/07/12	DESCRIPTION A1	QUALITY SYMBOLS	GENERAL TOLERANCES (UNLESS SPECIFIED)	DIMENSION STYLE	SCALE	DESIGN UNITS	THIRD ANGLE PROJECTION																		
			$\nabla=0$ $\sphericalcap=0$	<table border="1"> <tr> <th></th> <th>mm</th> <th>INCH</th> </tr> <tr> <td>4 PLACES</td> <td>± ---</td> <td>± ---</td> </tr> <tr> <td>3 PLACES</td> <td>± ---</td> <td>± ---</td> </tr> <tr> <td>2 PLACES</td> <td>± 0.2</td> <td>± ---</td> </tr> <tr> <td>1 PLACE</td> <td>± 0.2</td> <td>± ---</td> </tr> <tr> <td>0 PLACE</td> <td>± ---</td> <td>± ---</td> </tr> </table>		mm	INCH	4 PLACES	± ---	± ---	3 PLACES	± ---	± ---	2 PLACES	± 0.2	± ---	1 PLACE	± 0.2	± ---	0 PLACE	± ---	± ---	MM ONLY	20:1	METRIC	
				mm	INCH																					
			4 PLACES	± ---	± ---																					
3 PLACES	± ---	± ---																								
2 PLACES	± 0.2	± ---																								
1 PLACE	± 0.2	± ---																								
0 PLACE	± ---	± ---																								
ANGULAR ± 1 ° DRAFT WHERE APPLICABLE MUST REMAIN WITHIN DIMENSIONS	<table border="1"> <tr> <td>DRAWN BY</td> <td>DATE</td> <td>TITLE</td> </tr> <tr> <td>CBCHN</td> <td>2010/01/21</td> <td rowspan="3">1.5 W-T-B CONN. CRIMP REC TERMINAL</td> </tr> <tr> <td>CHECKED BY</td> <td>DATE</td> </tr> <tr> <td>SHCU</td> <td>2010/01/21</td> </tr> <tr> <td>APPROVED BY</td> <td>DATE</td> <td rowspan="2"> </td> </tr> <tr> <td>YSOOKIM</td> <td>2010/01/21</td> </tr> </table>	DRAWN BY	DATE	TITLE	CBCHN	2010/01/21	1.5 W-T-B CONN. CRIMP REC TERMINAL	CHECKED BY	DATE	SHCU	2010/01/21	APPROVED BY	DATE		YSOOKIM	2010/01/21	MATERIAL NO. 1045018003	DOCUMENT NO. SD-104501-001	SHEET NO. 1 OF 1							
DRAWN BY	DATE	TITLE																								
CBCHN	2010/01/21	1.5 W-T-B CONN. CRIMP REC TERMINAL																								
CHECKED BY	DATE																									
SHCU	2010/01/21																									
APPROVED BY	DATE																									
YSOOKIM	2010/01/21																									
					THIS DRAWING CONTAINS INFORMATION THAT IS PROPRIETARY TO MOLEX INCORPORATED AND SHOULD NOT BE USED WITHOUT WRITTEN PERMISSION																					