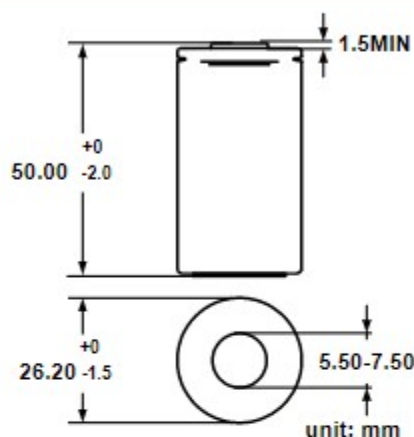
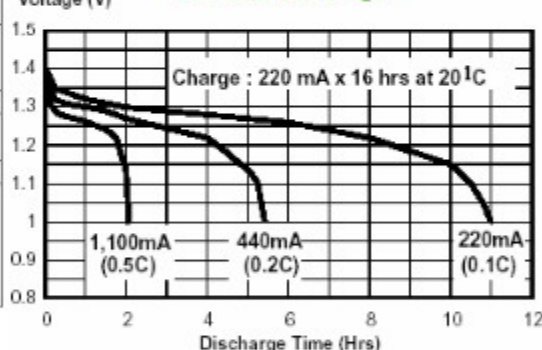


Model No.: **GP220CHC**

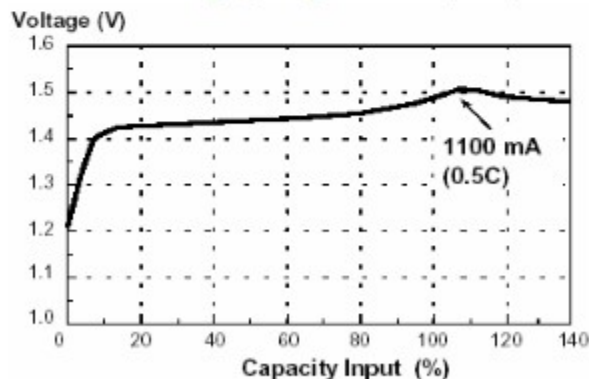
Type	: Rechargeable Nickel Metal Hydride Cylindrical Cell
Nominal Dimension (with Sleeve)	: $\phi = 26.2\text{mm}$ H = 50.0mm
Applications	: Recommended discharge current 220mA to 6600mA
Nominal Voltage	: 1.2V
Capacity	: Nominal: 2200mAh Minimum: 2200mAh Typical: 2200mAh When discharged at 440mA to 1.0V at 20°C
Charging Condition	: 220mA for 16hrs at 20°C
Charge Retention	: 50% of nominal capacity after cell storage at 20°C for 12months When discharged at 0.44A to 1.0V at 20°C
Fast Charge	: 1100mA (0.5C) charge termination control recommended control parameters: - $\Delta V$ : 0-5mV DT/dt : 0.8°C/min (0.5C) TCO : 45 - 50°C Timer : 105% nominal input (Secondary)
Service Life	: >500 cycles (IEC standard) Up to 1000 cycles (not less than 60% of nominal at 0.1C charge / 0.2C discharge)
Continuous Overcharge	: 220mA maximum current for 1 year. No conspicuous deformation and/or Leakage
Weight	: 61.0g
Internal Resistance	: Average 30m $\Omega$ upon fully charged (MAX. 40m $\Omega$ ) at 1000Hz
Max. Charging Voltage	: 1.5V at 220mA charging
Ambient Temperature Range	: Standard Charge : 0 to 40°C Fast Charging : 10 to 40°C Discharge : -20 to 50°C Storage : -20 to 35°C Storage(1 week) : -20 to 60°C



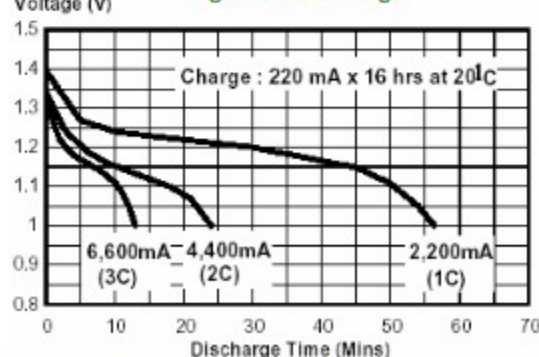
Low Rate Discharge



Fast Charge (Charge Control required)



High Rate Discharge



The information (subject to change without prior notice) contained in this document is for reference only and should not be used as a basis for product guarantee or warranty. For applications other than those described here, please consult your nearest GP Sales and Marketing Office or Distributors.