

4

3


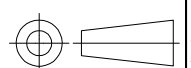
2

1

THIS DRAWING IS UNPUBLISHED. RELEASED FOR PUBLICATION JAN , 2007.
 © COPYRIGHT 2007 By - ALL RIGHTS RESERVED.

LOC	DIST	REVISIONS					
		P	LTR	DESCRIPTION	DATE	DWN	APVD
E	B		B1	REVISED PER ECO-11-005033	01APR11	RK	HMR
			C	REVISED PER ECO ECO-11-021584	01NOV11	TITAN	MARTIN

OBSOLETE

THIS DRAWING IS A CONTROLLED DOCUMENT.		DWN	ANSON MA	14FEB09	 TE Connectivity							
DIMENSIONS: mm		CHK	RITA ZUO	14FEB09								
		TOLERANCES UNLESS OTHERWISE SPECIFIED:		APVD	BOB ZHAO	14FEB09	NAME	UHF BHSKT RM NICKEL PLTED				
MATERIAL SEE TABLE		FINISH -		PRODUCT SPEC	108-112000			RESTRICTED TO	-			
				APPLICATION SPEC	-			SIZE	CAGE CODE	DRAWING NO	RESTRICTED TO	
				WEIGHT	-			A3	00779	C-1814815	-	
				CUSTOMER DRAWING			SCALE	NTS	SHEET	1 OF 1	REV	C