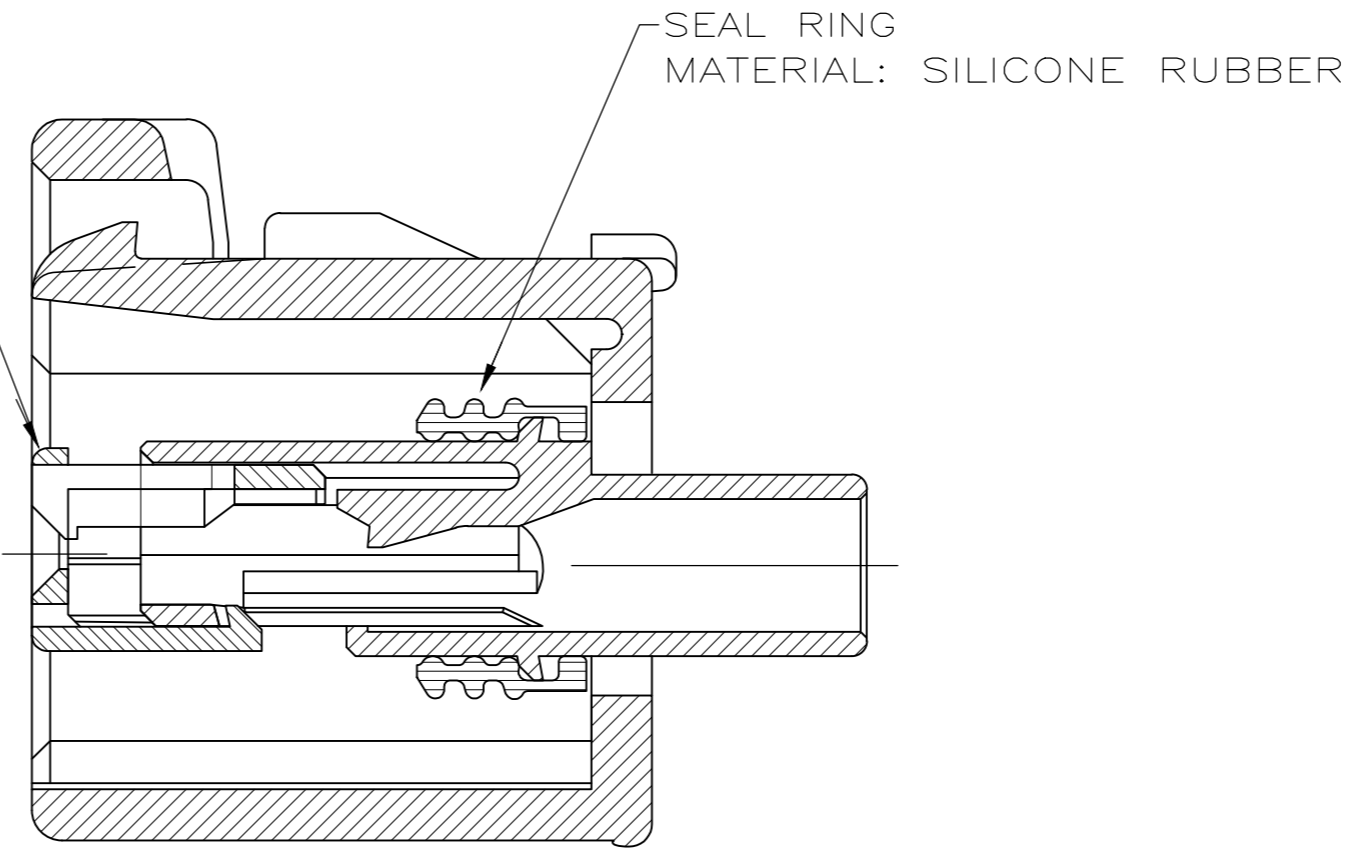
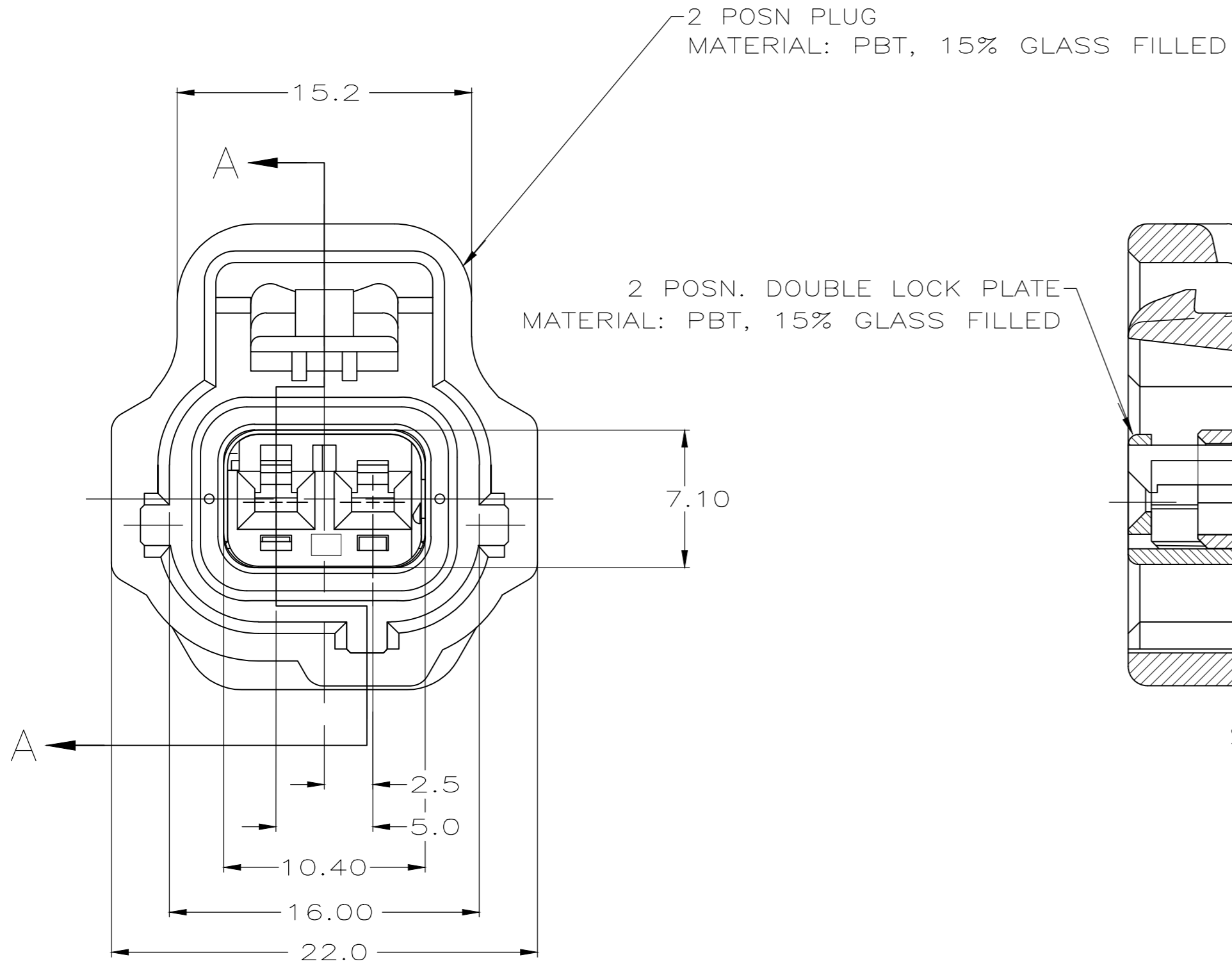
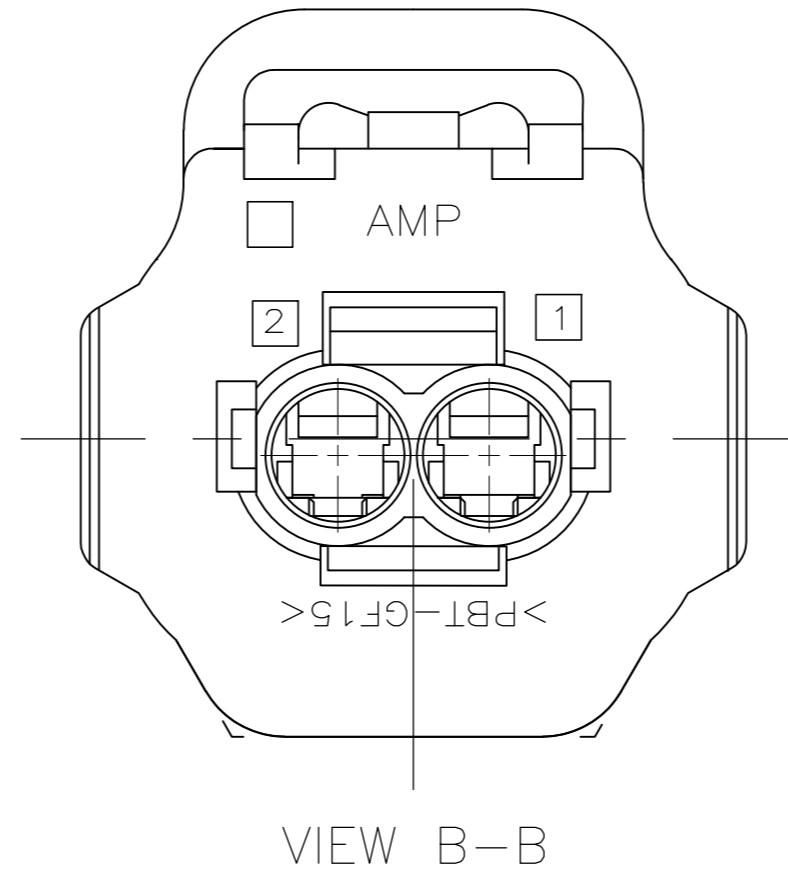
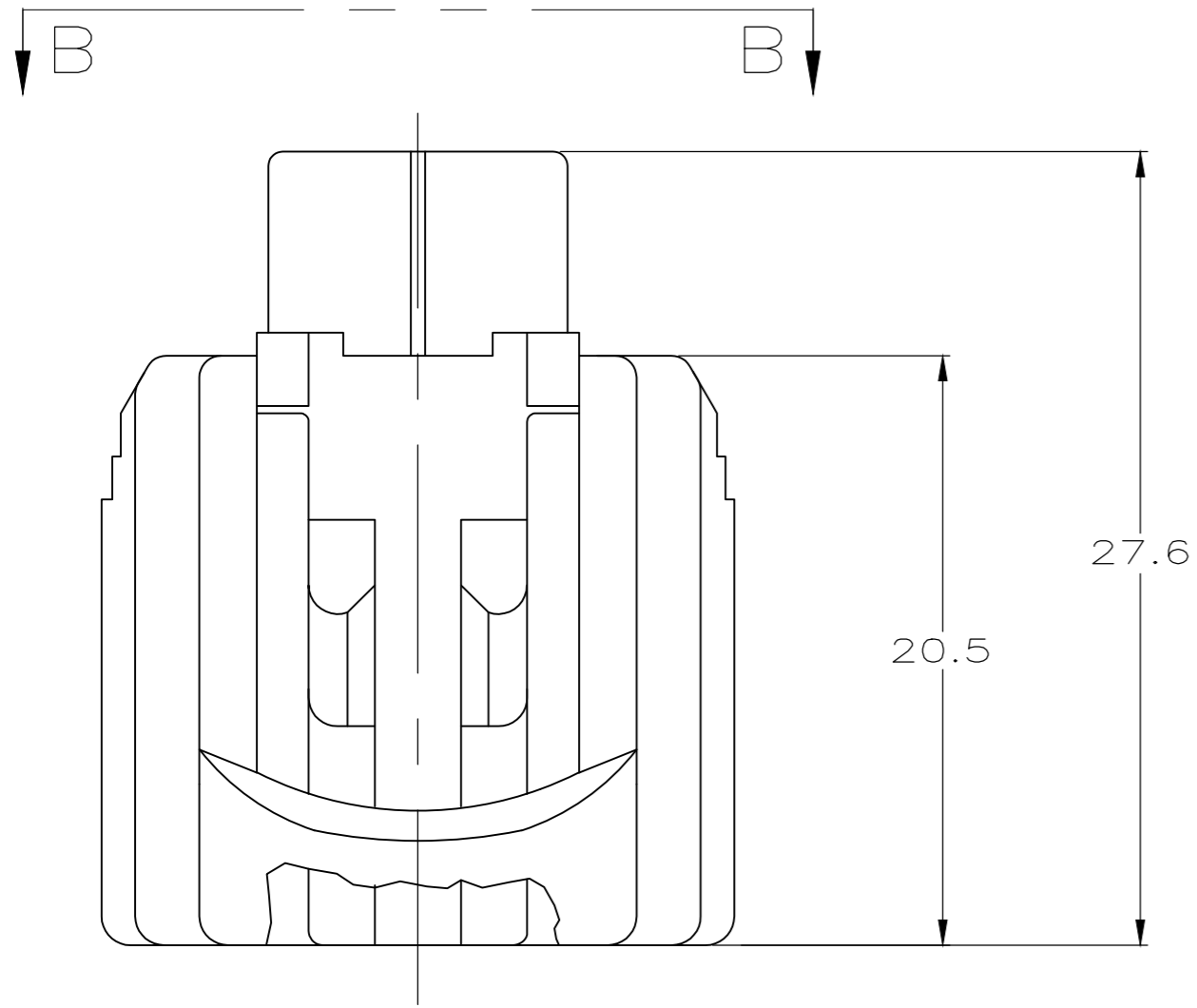


REVISIONS

P	LTR	DESCRIPTION	DATE	DWN	APVD
0		RELEASED, WAS 92-4072-2313-8	-	-	-
A		REV PER ECN 0720-0290-94	10-21-94	KDL	JPK
		ADDED -2, 94-4072-026			
B		REV PER ECN 0720-0446-94	12/16/94	KW	JK
C		ADD -3 PER ECN 0720-0640-95	05/25/95	KW	JK
D		REV PER ECN OKS0-0003-96	08/13/96	KW	JK
E		REV PER EC# 0K40-0140-00	7-10-00	PC	GI
E1		REVISED PER ECO-20-012742	15SEP20	AP	HDC



SECTION A-A

KEYING TYPE H

OBSOLETE	BROWN	184014-3
	GREEN	184014-2
	BLACK	184014-1
	PLUG COLOR	PART NO

THIS DRAWING IS A CONTROLLED DOCUMENT.		DWN	KD LYTLE	3/25/94
		CHK	JP KUNKLE	4/19/94
		APVD	-	-
		PRODUCT SPEC	-	-
		APPLICATION SPEC	-	-
		WEIGHT	0.000000	A2 00779 C=184014
		CUSTOMER DRAWING	SCALE 4:1	SHEET 1 of 1