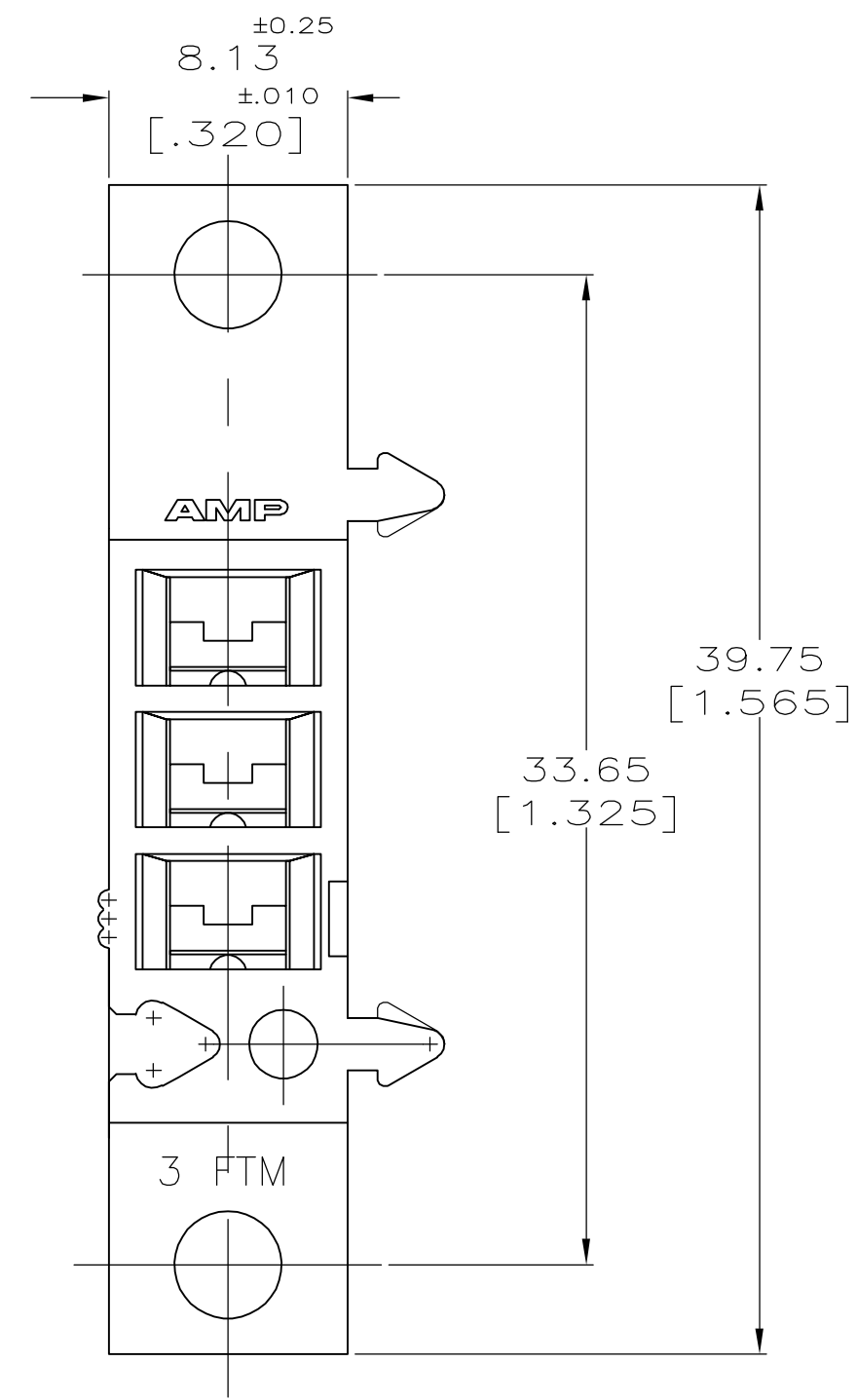
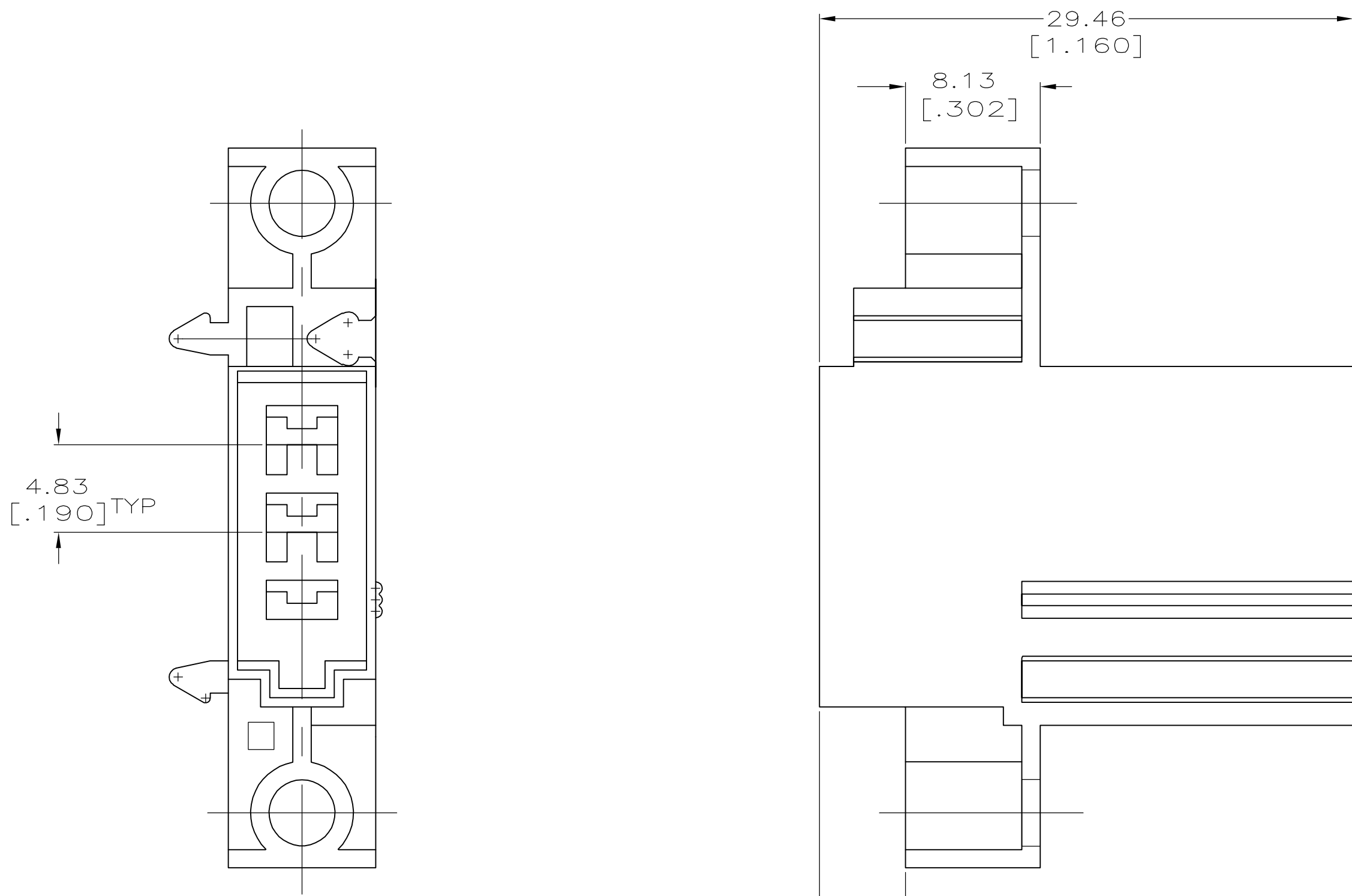


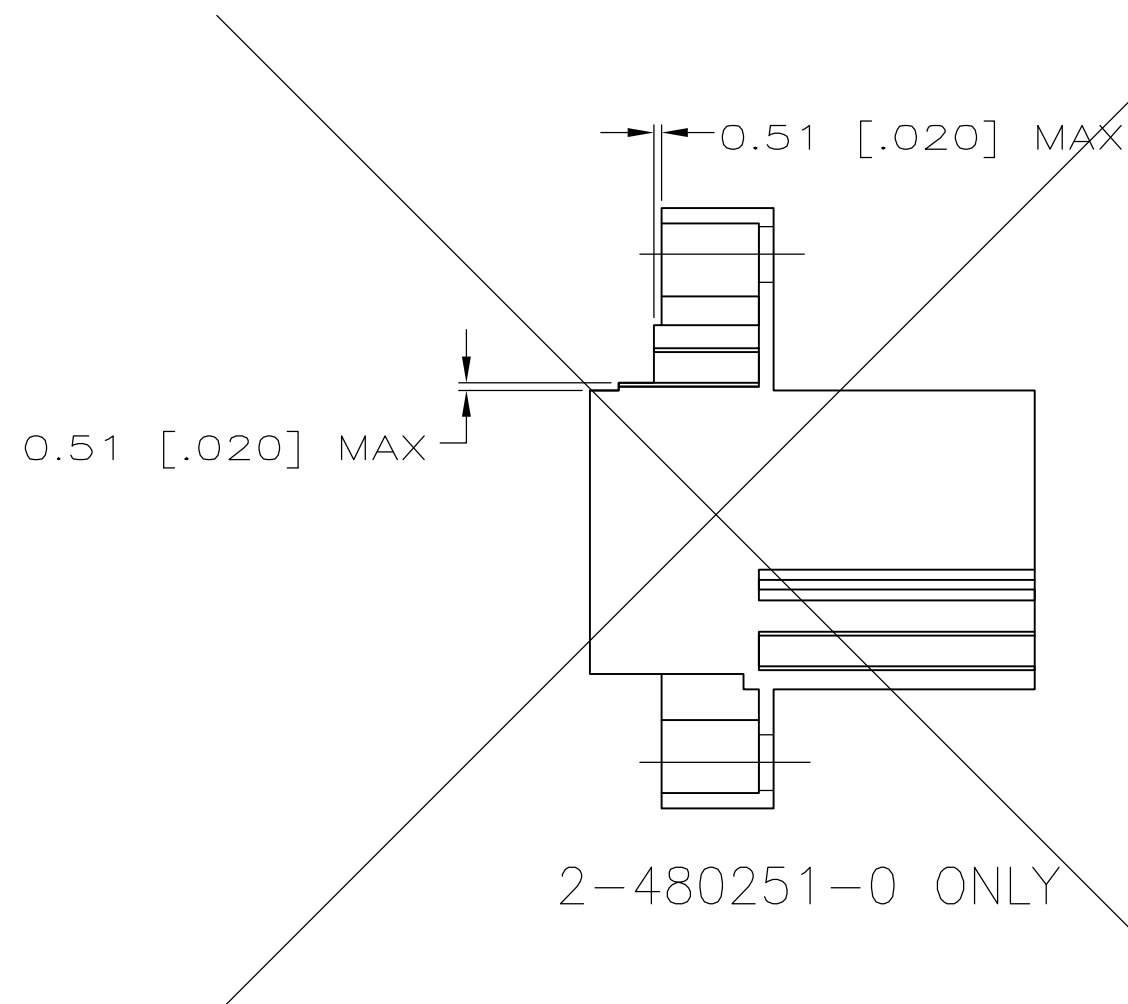
THIS DRAWING IS UNPUBLISHED. RELEASED FOR PUBLICATION  
 © COPYRIGHT BY TYCO ELECTRONICS CORPORATION. ALL RIGHTS RESERVED.

LOC		DIST		REVISIONS			
P	LTR	DESCRIPTION		DATE	DWN	APVD	
AF	50	U1	REV PER ECR 05-004536	03OCT05	JR	KR	



4.75  
[.187]

- 1 USE TERMINAL 60434
- 2 FOR MOUNTING HOLE DIMENSIONS SEE CP-22678 AND CP-22893
- 3 FOR MOUNTING HOLE DIMENSIONS FOR 2-480251-0 SEE CP-24310



COLOR	PART NO.
NATURAL	2-480251-0
RED	1-480251-9
BLACK	1-480251-8
GRAY	1-480251-7
VIOLET	1-480251-6
BLUE	1-480251-5
GREEN	1-480251-4
YELLOW	1-480251-3
ORANGE	1-480251-2
BROWN	1-480251-1
NATURAL	1-480251-0

THIS DRAWING IS A CONTROLLED DOCUMENT.		DWN JR RUTH 2/23/94	Tyco Electronics Corporation Harrisburg, PA 17105-3608				
DIMENSIONS: INCHES		CHK MS FEHER 2/23/94					
TOLERANCES UNLESS OTHERWISE SPECIFIED:		APVD R BEAVER 2/23/94	NAME HOUSING, TAB, FASTON, 4.75 [.187] SERIES				
0 PLC ± - 1 PLC ± - 2 PLC ± 0.38 [.015] 3 PLC ± - 4 PLC ± - ANGLES ± - FINISH SEE TABLE		PRODUCT SPEC APPLICATION SPEC	SIZE A2	CAGE CODE 00779	DRAWING NO C=480251	RESTRICTED TO	
MATERIAL NYLON		WEIGHT -	CUSTOMER DRAWING		SCALE 4:1	SHEET 1 of 1	REV U1