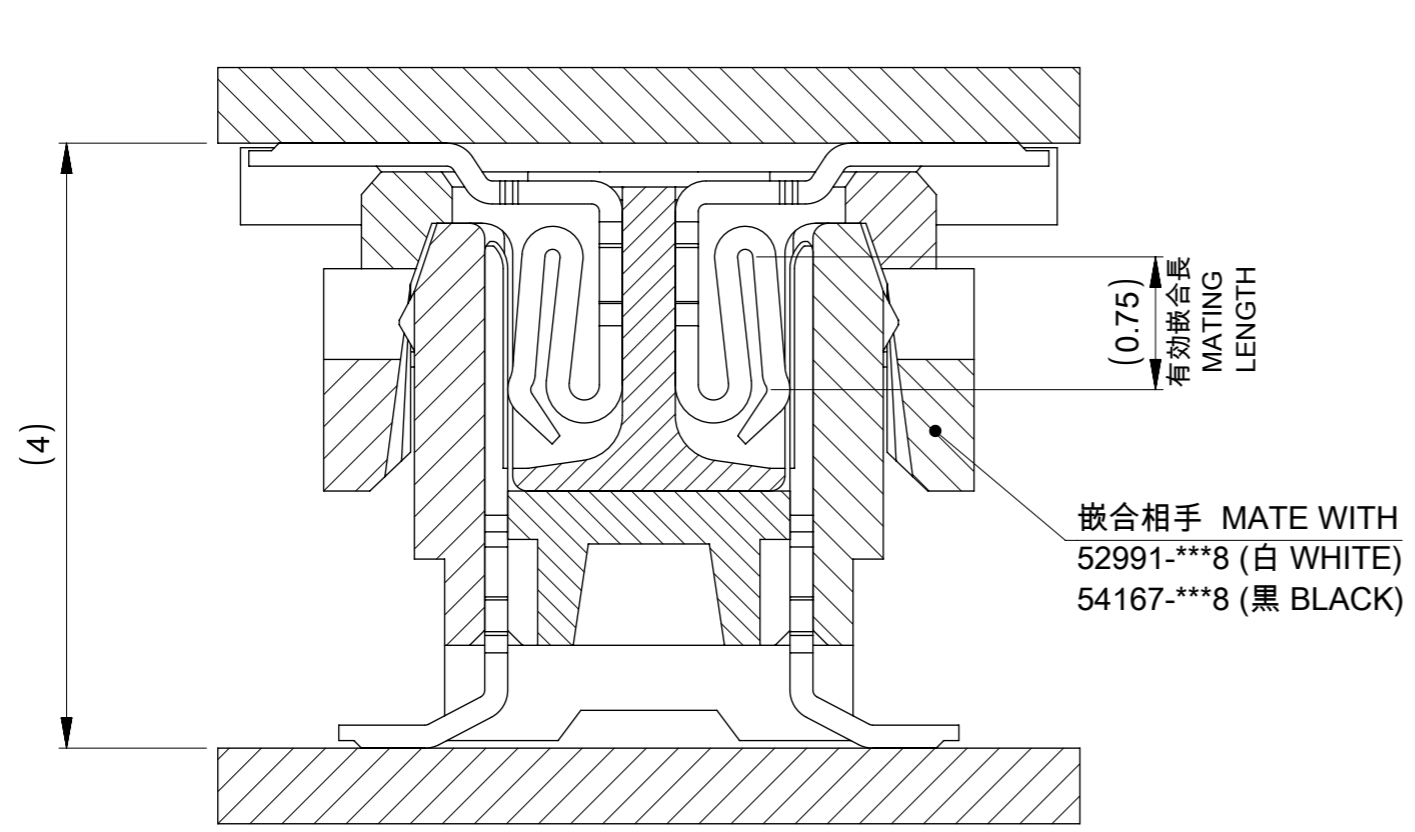


NOTES

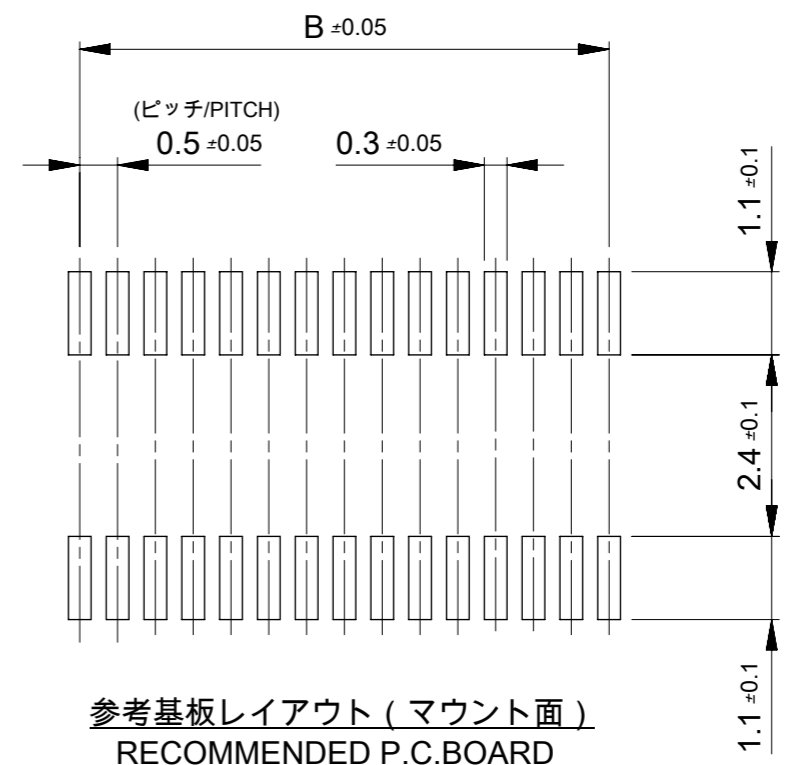
- 材質
MATERIAL
ハウジング : LCP (液晶ポリマー)、ガラス充填、黒色、UL94V-0
HOUSING: GLASS FILLED LIQUID CRYSTAL POLYMER ,BLACK ,UL94V-0
ターミナル : 銅合金 (t=0.15)
TERMINAL: COPPER ALLOY (t=0.15)
- メッキ仕様
PLATING
ターミナル
TERMINAL
接点部 : 金メッキ
CONTACT AREA:GOLD
半田付け部 : 錫メッキ
SOLDER TAIL AREA : TIN
下地メッキ : ニッケルメッキ
UNDER PLATING : NICKEL
- テール平坦度 : 0.1 MAXIMUM
COPLANARITY: 0.1 MAXIMUM
- ELV AND RoHS COMPLIANT.
- 嵌合相手 : 52991シリーズ (嵌合高さ = 4mm)、54167シリーズ (嵌合高さ = 4mm)
MATE WITH: 52991 SERIES (HEIGHT = 4mm), AND 54167 SERIES (HEIGHT = 4mm)

12.74	12	14.8	501920-5001	50
10.24	9.5	12.3	501920-4001	40
7.74	7.0	9.8	501920-3001	30
C	B	A	EMBOSSSED TAPE	極数
			ORDER No.	CIRCUIT
CONNECTOR SERIES No.			501920-**09	

THIS DRAWING CONTAINS INFORMATION THAT IS PROPRIETARY TO MOLEX ELECTRONIC TECHNOLOGIES, LLC AND SHOULD NOT BE USED WITHOUT WRITTEN PERMISSION		CURRENT REV DESC: REVISED		molex	
DIMENSION UNITS	SCALE	EC NO: 642297			
mm	10:1	DRWN: SUDAYGUNAGI		PRODUCT CUSTOMER DRAWING	
GENERAL TOLERANCES (UNLESS SPECIFIED)		CHK'D: HSHIMYOYAMA		DOCUMENT NUMBER	
ANGULAR TOL ± 10°		APPR: SHOSHIKAWA		SD-501920-001	
4 PLACES ± 0.2		INITIAL REVISION:		DOC TYPE	
3 PLACES ± 0.25		DRWN: M. I SOGAYA		DOC PART	
2 PLACES ± 0.3		APPR: M. SASAO		REVISION	
1 PLACE ± 0.1		2005/08/17		001	
0 PLACES ±		2005/08/17		C	
ANGULAR±1°		THIRD ANGLE PROJECTION		SHEET NUMBER	
DRAFT WHERE APPLICABLE MUST REMAIN WITHIN DIMENSIONS		DRAWING		1 OF 2	
		SERIES		GENERAL	
		MATERIAL NUMBER		SEE TABLE	
		CUSTOMER		GENERAL	

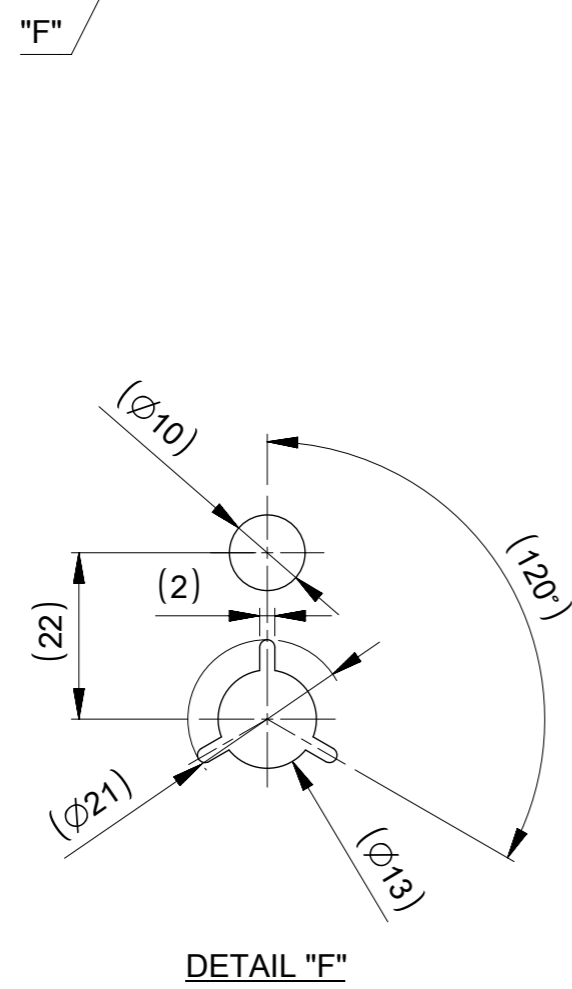
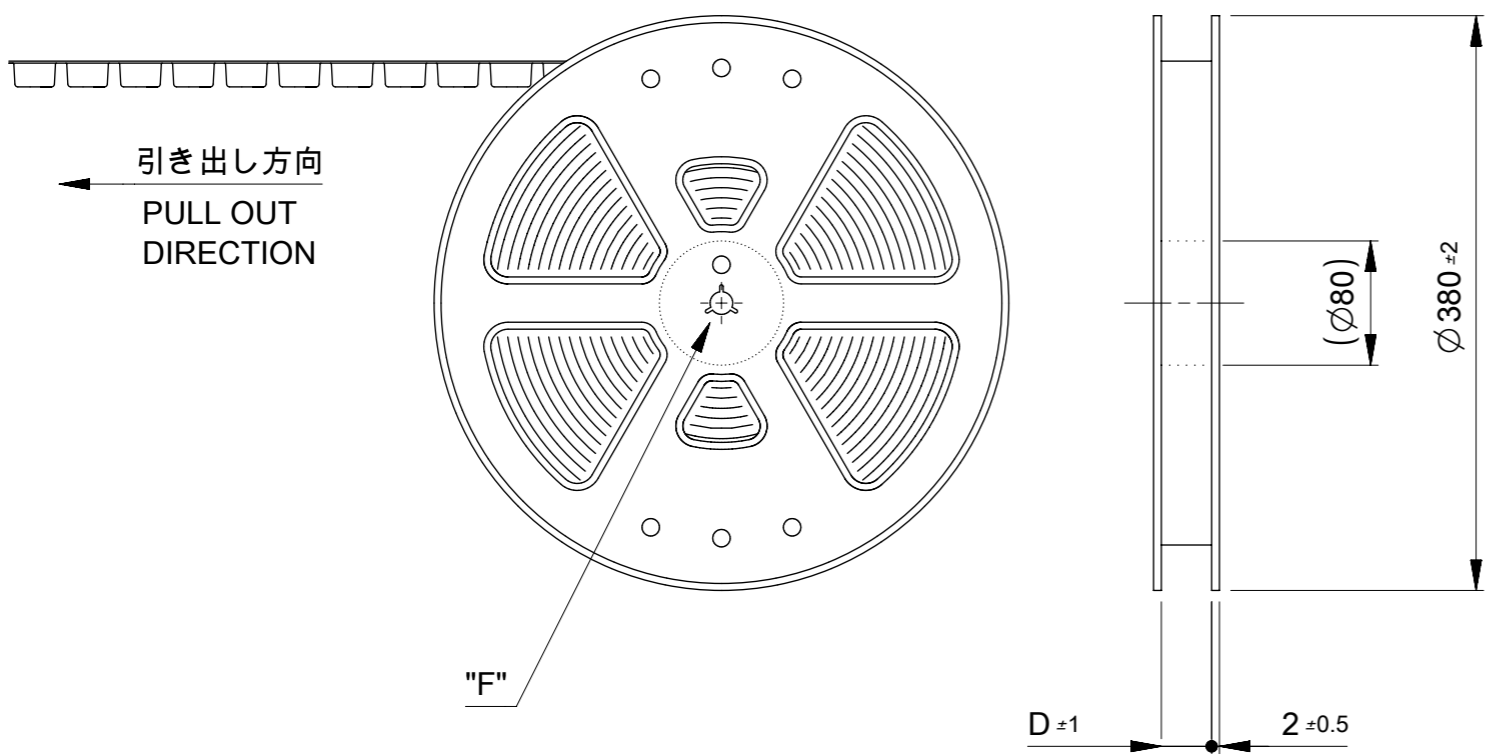


嵌合断面図 (参考)
MATED DRAWING (REF.)



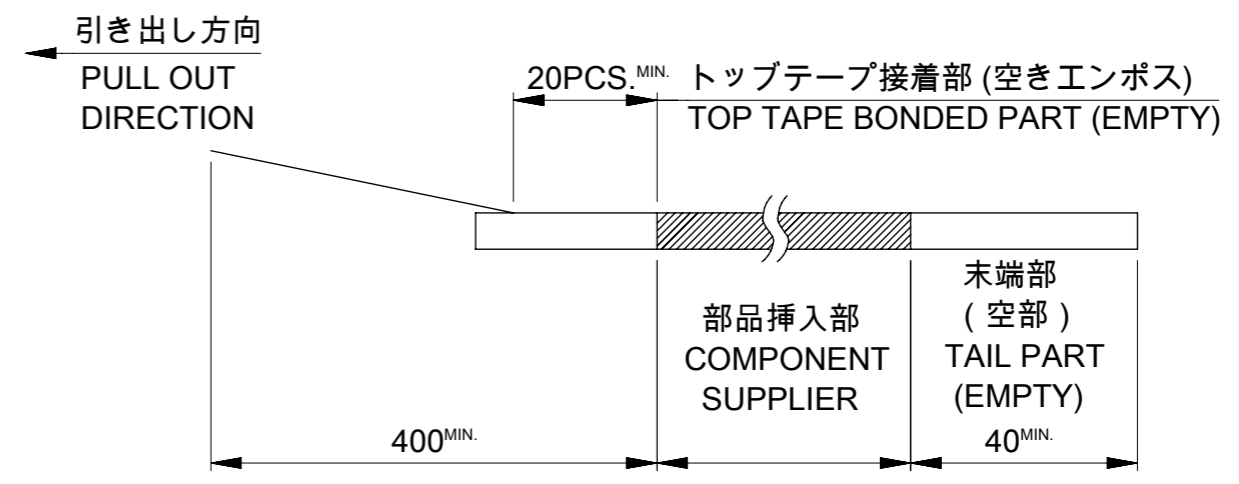
参考基板レイアウト (マウント面)
RECOMMENDED P.C.BOARD
PATTERN DIMENSION (REF.)
(MOUNTING AREA) (SCALE 10:1)

THIS DRAWING CONTAINS INFORMATION THAT IS PROPRIETARY TO MOLEX ELECTRONIC TECHNOLOGIES, LLC AND SHOULD NOT BE USED WITHOUT WRITTEN PERMISSION		CURRENT REV DESC: REVISED		molex	
0.5 MM PITCH B-TO-B CONN. HEIGHT = 4 PLUG		PRODUCT CUSTOMER DRAWING			
GENERAL TOLERANCES (UNLESS SPECIFIED)		EC NO: 642297		DOCUMENT NUMBER	
ANGULAR TOL ± 10°		DRWN: SUDAYGUNAGI		DOC TYPE	
4 PLACES ± 0.2		2020/08/10		DOC PART	
3 PLACES ± 0.25		CHK'D: HSHIMUYAMA		REVISION	
2 PLACES ± 0.3		APPR: SHOSHIKAWA		SD-501920-001	
1 PLACE ± 0.1		INITIAL REVISION:		PSD 001 C	
0 PLACES ±		DRWN: M. I SOGAYA		MATERIAL NUMBER	
ANGULAR ±1°		2005/08/17		CUSTOMER	
DRAFT WHERE APPLICABLE MUST REMAIN WITHIN DIMENSIONS		APPR: M. SASAO		GENERAL	
DRAFT WHERE APPLICABLE MUST REMAIN WITHIN DIMENSIONS		THIRD ANGLE PROJECTION		SHEET NUMBER	
		DRAWING		2 OF 2	
		SERIES			
		A3-SIZE			
		501920			



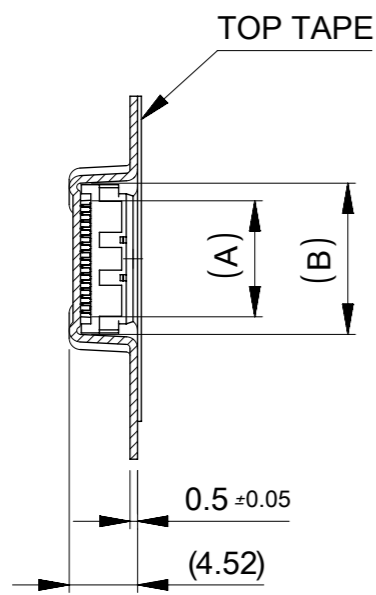
NOTES

- 製品詳細寸法については、製品単体図面を参照下さい。
DETAIL DIMENSIONS, SEE SD-501920-001
- 梱包数量：1500個 / リール
NUMBER OF CONNECTORS : 1500PCS/REEL
- リードテープ長さ
LEAD TAPE LENGTH

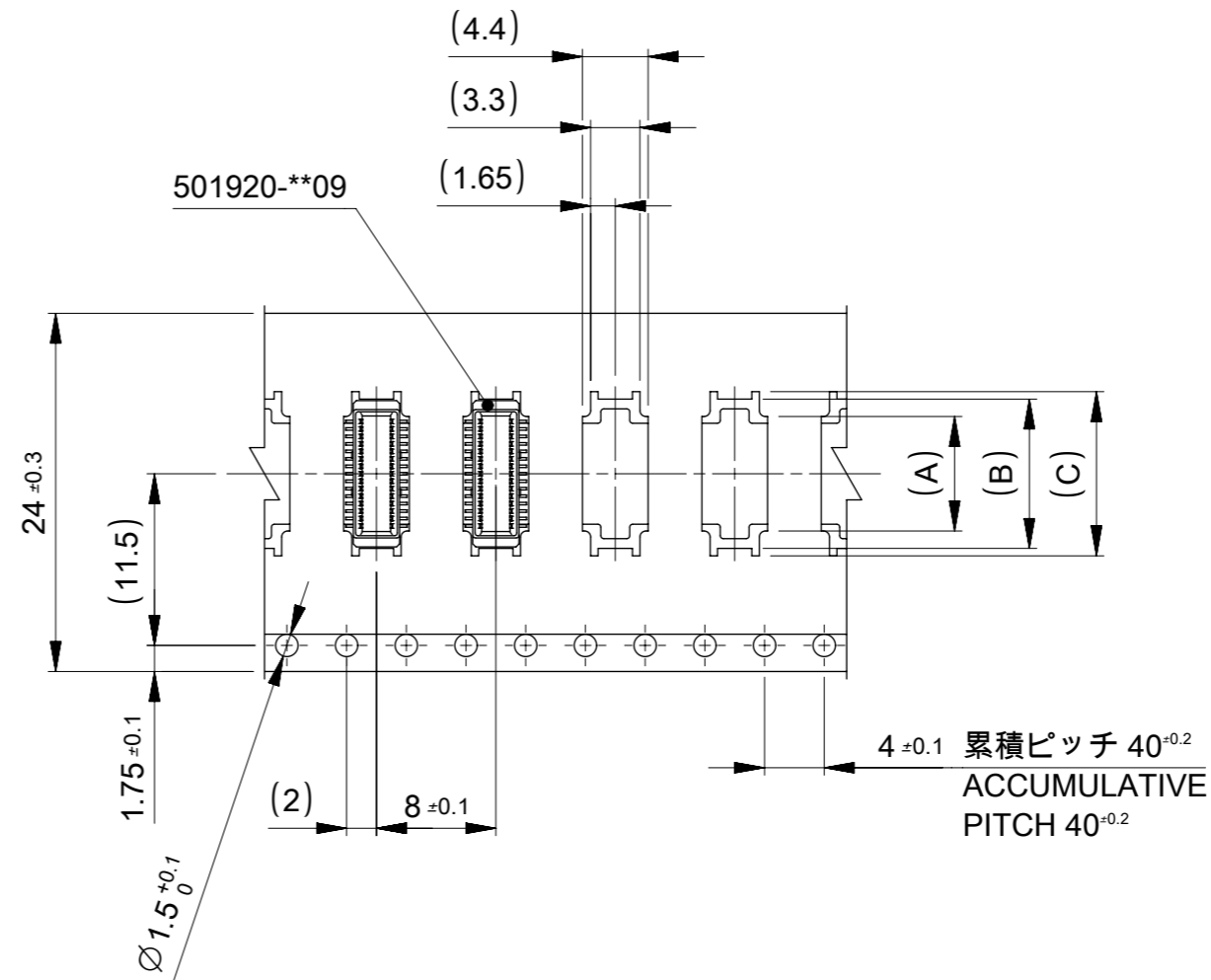


- カバートープの剥離強度については、IEC60286-3に準拠
COVER TAPE PEEL FORCE IS DEFINED BY IEC60286-3.
- 材料 MATERIAL
キャリアテープ：ポリプロピレン
トップテープ：PET, PE, PEF
リール：ポリスチレン (PS) <リサイクル材を含む>
CARRIER TAPE : POLYPROPYLENE
TOP TAPE : PET, PE, PEF
REEL : POLYSTYREN(PS) <RECYCLE MATERIAL CONTANED>
- ELV AND RoHS COMPLIANT.

THIS DRAWING CONTAINS INFORMATION THAT IS PROPRIETARY TO MOLEX ELECTRONIC TECHNOLOGIES, LLC AND SHOULD NOT BE USED WITHOUT WRITTEN PERMISSION		CURRENT REV DESC: REVISED		molex	
DIMENSION UNITS	SCALE	EC NO: 649457			
mm	---	DRWN: SUDAYGUNAGI 2020/08/10		PRODUCT CUSTOMER DRAWING	
GENERAL TOLERANCES (UNLESS SPECIFIED)		CHK'D: HSHIMUYAMA 2020/12/02		DOCUMENT NUMBER	
ANGULAR TOL ± 10°		APPR: SHOSHIKAWA 2020/12/02		SD-501920-002	
4 PLACES ± 0.2		INITIAL REVISION:		DOC TYPE	
3 PLACES ± 0.25		DRWN: M. I SOGAYA 2005/08/18		PSD	
2 PLACES ± 0.3		APPR: M. SASAO 2005/08/18		DOC PART	
1 PLACE ± 0.1		SERIES		001	
0 PLACES ±		501920		REVISION	
ANGULAR ± 1°		MATERIAL NUMBER		C	
DRAFT WHERE APPLICABLE MUST REMAIN WITHIN DIMENSIONS		THIRD ANGLE PROJECTION		CUSTOMER	
		DRAWING		GENERAL	
		A3-SIZE		SHEET NUMBER	
		1 OF 2			



引き出し方向
PULL OUT
DIRECTION

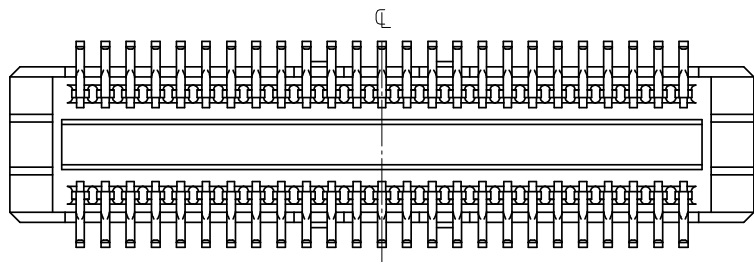
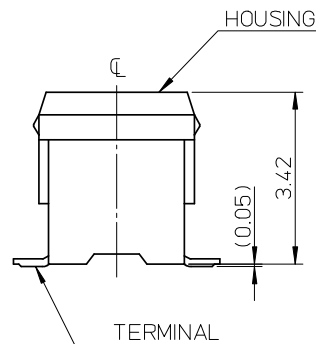
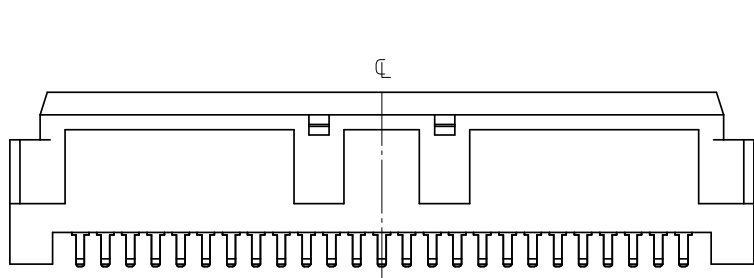
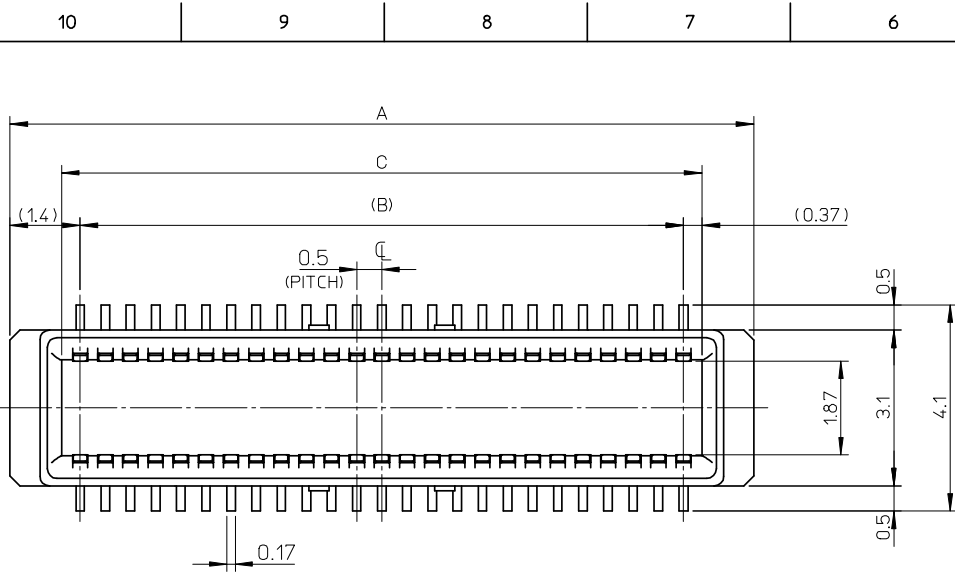


24mm 幅キャリアテープ
24mm WIDTH CARRIER TAPE

24	25.4	16.0	15.0	12.67	501920-5001	50
		13.5	12.5	10.17	501920-4001	40
		11.0	10.0	7.67	501920-3001	30
キャリアテープ幅 CARRIER TAPE WIDTH	D	(C)	(B)	(A)	MATERIAL NO.	CIRCUIT

THIS DRAWING CONTAINS INFORMATION THAT IS PROPRIETARY TO MOLEX ELECTRONIC TECHNOLOGIES, LLC AND SHOULD NOT BE USED WITHOUT WRITTEN PERMISSION

DIMENSION UNITS mm		SCALE ---		CURRENT REV DESC: REVISED				molex			
GENERAL TOLERANCES (UNLESS SPECIFIED)		ANGULAR TOL ± °		EC NO: 649457							
10 ^{UNDER} ± 0.2		4 PLACES ± 0.2		DRWN: SUDAYGUNAGI 2020/08/10				PRODUCT CUSTOMER DRAWING			
10 ^{OVER} 30 ^{UNDER} ± 0.25		3 PLACES ± 0.25		CHK'D: HSHIMUYAMA 2020/12/02				DOCUMENT NUMBER			
30 ^{OVER} ± 0.3		2 PLACES ± 0.3		APPR: SHOSHIKAWA 2020/12/02				SD-501920-002			
ANGULAR ± 1°		1 PLACE ± 0.1		INITIAL REVISION:				DOC TYPE			
DRAFT WHERE APPLICABLE MUST REMAIN WITHIN DIMENSIONS		0 PLACES ±		DRWN: M. I SOGAYA 2005/08/18				PSD			
				APPR: M. SASAO 2005/08/18				DOC PART			
				THIRD ANGLE PROJECTION				001			
				DRAWING				REVISION			
				A3-SIZE				C			
				SERIES				SHEET NUMBER			
				501920				2 OF 2			
				MATERIAL NUMBER							
				SEE TABLE							
				CUSTOMER							
				GENERAL							



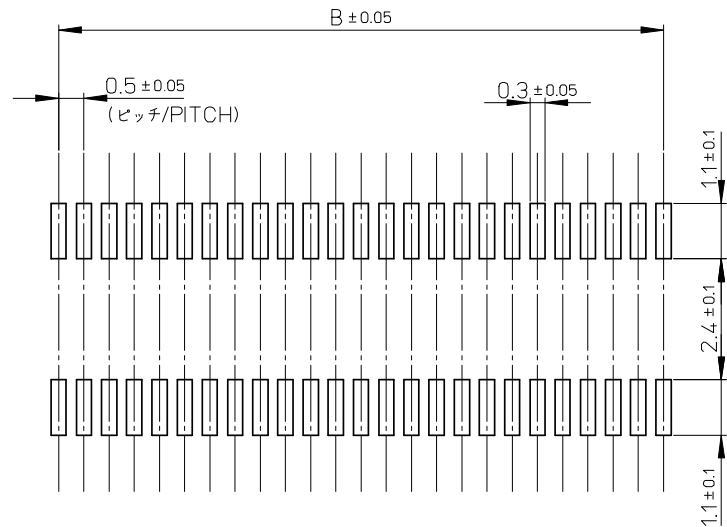
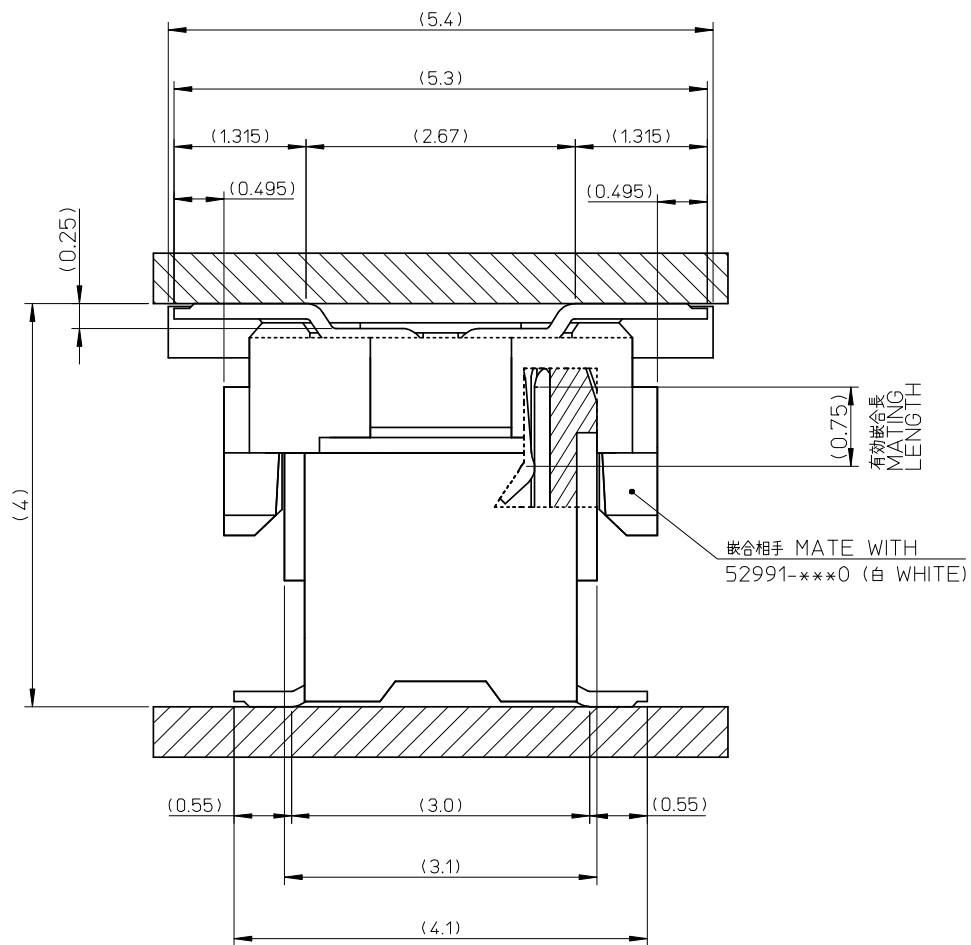
NOTES

- 1.材質
MATERIAL
ハウジング : LCP(液晶ポリマー)、ガラス充填、黒色、UL94V-0
HOUSING : GLASS FILLED LIQUID CRYSTAL POLYMER ,BLACK ,UL94V-0
ターミナル : 銅合金 (t=0.15)
TERMINAL : COPPER ALLOY (t=0.15)
- 2.メッキ仕様
PLATING
ターミナル
TERMINAL
接点部 : 金メッキ
CONTACT AREA : GOLD
半田付け部 : 錫メッキ
SOLDER TAIL AREA : TIN
下地メッキ : ニッケルメッキ
UNDER PLATING : NICKEL
- 3.テール平坦度 : 0.1 MAX.
COPLANARITY : 0.1 MAXIMUM
4. ELV AND RoHS COMPLIANT.

12.74	12.0	14.8	501920-5001	501920-5009	50
C	B	A	エンボス梱包 EMBOSSED TAPE PACKAGING	製品番号 MATERIAL NO.	CIRCUIT

REVISED EC NO: J2009-0002 DRWN:TKAIHO CHKD:THIRATA APPR:MSASAO REV A	DESCRIPTION 2008/07/04 2008/07/04 2008/07/07	GENERAL TOLERANCES (UNLESS SPECIFIED)		DIMENSION STYLE MM ONLY		SCALE 10:1	DESIGN UNITS METRIC	501920-**09	MODEL NO.
		10 UNDER	±0.2	DRAWN BY TKAIHO	DATE 2008/01/28	THIRD ANGLE PROJECTION			
		10 OVER 30 UNDER	±0.25	CHECKED BY MSASAO	DATE 2008/01/29	0.5 PITCH B/B CONN. PLUG HSG ASSY			
		30 OVER	±0.3	APPROVED BY MSASAO	DATE 2008/01/29	MOLEX INCORPORATED			
ANGULAR ±1 °		DRAFT WHERE APPLICABLE MUST REMAIN WITHIN DIMENSIONS		MATERIAL NO. SEE TABLE		DOCUMENT NO. SD-501920-003		SHEET NO. 1 OF 2	
THIS DRAWING CONTAINS INFORMATION THAT IS PROPRIETARY TO MOLEX INCORPORATED AND SHOULD NOT BE USED WITHOUT WRITTEN PERMISSION									

10 9 8 7 6 5 4 3 2 1



参考基板レイアウト (マウント面)
 RECOMMENDED P.C.BOARD
 PATTERN DIMENSION (REF.)
 (MOUNT AREA) (SCALE 10:1)

嵌合状態図(参考)
 MATED DRAWING (REF.)

REVISED EC NO: J2009-0002 DRWN:TKAIHO 2008/07/04 CHKD:THIRATA 2008/07/04 APPR:MSASAO 2008/07/07 A	GENERAL TOLERANCES (UNLESS SPECIFIED)		DIMENSION STYLE MM ONLY		501920-**09		MODEL NO.	
	10 UNDER	±0.2	DRAWN BY	DATE	SCALE	DESIGN UNITS	THIRD ANGLE PROJECTION	
	10 OVER 30 UNDER	±0.25	TKAIHO	2008/01/28	100:10	METRIC	0.5 PITCH B/B CONN. PLUG HSG ASSY	
	30 OVER	±0.3	CHECKED BY	DATE	TITLE			
	ANGULAR ±1 °	MSASAO	2008/01/29	MOLEX INCORPORATED				
	DRAFT WHERE APPLICABLE MUST REMAIN WITHIN DIMENSIONS	APPROVED BY	DATE	MATERIAL NO.		DOCUMENT NO.		SHEET NO.
		MSASAO	2008/01/29	SEE SHEET 1		SD-501920-003		2 OF 2
		THIS DRAWING CONTAINS INFORMATION THAT IS PROPRIETARY TO MOLEX INCORPORATED AND SHOULD NOT BE USED WITHOUT WRITTEN PERMISSION						