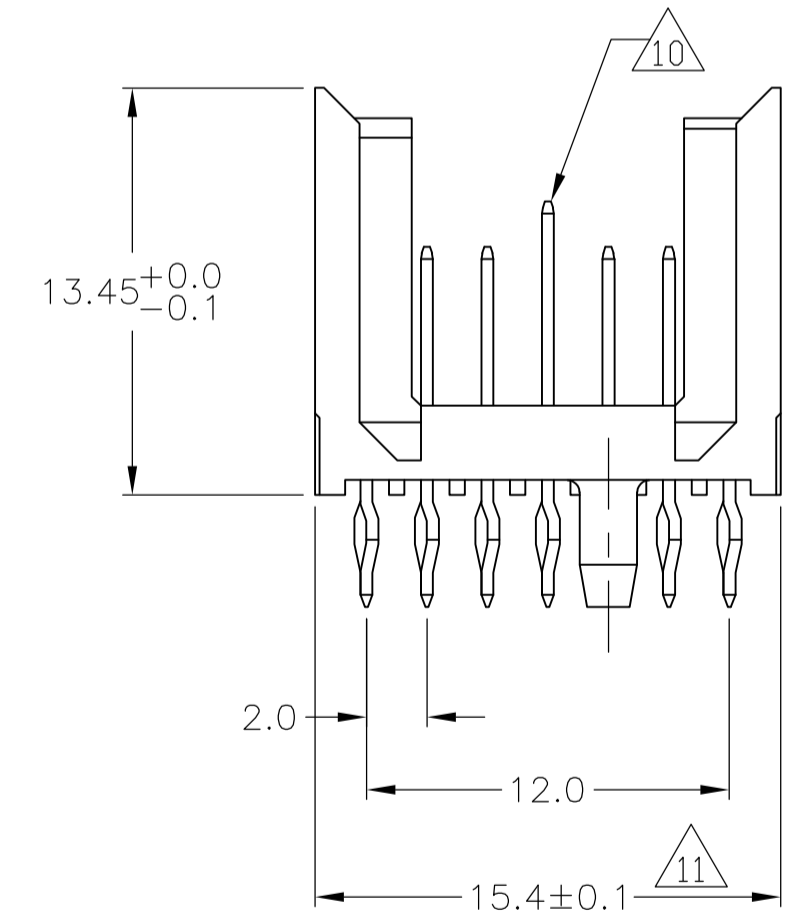
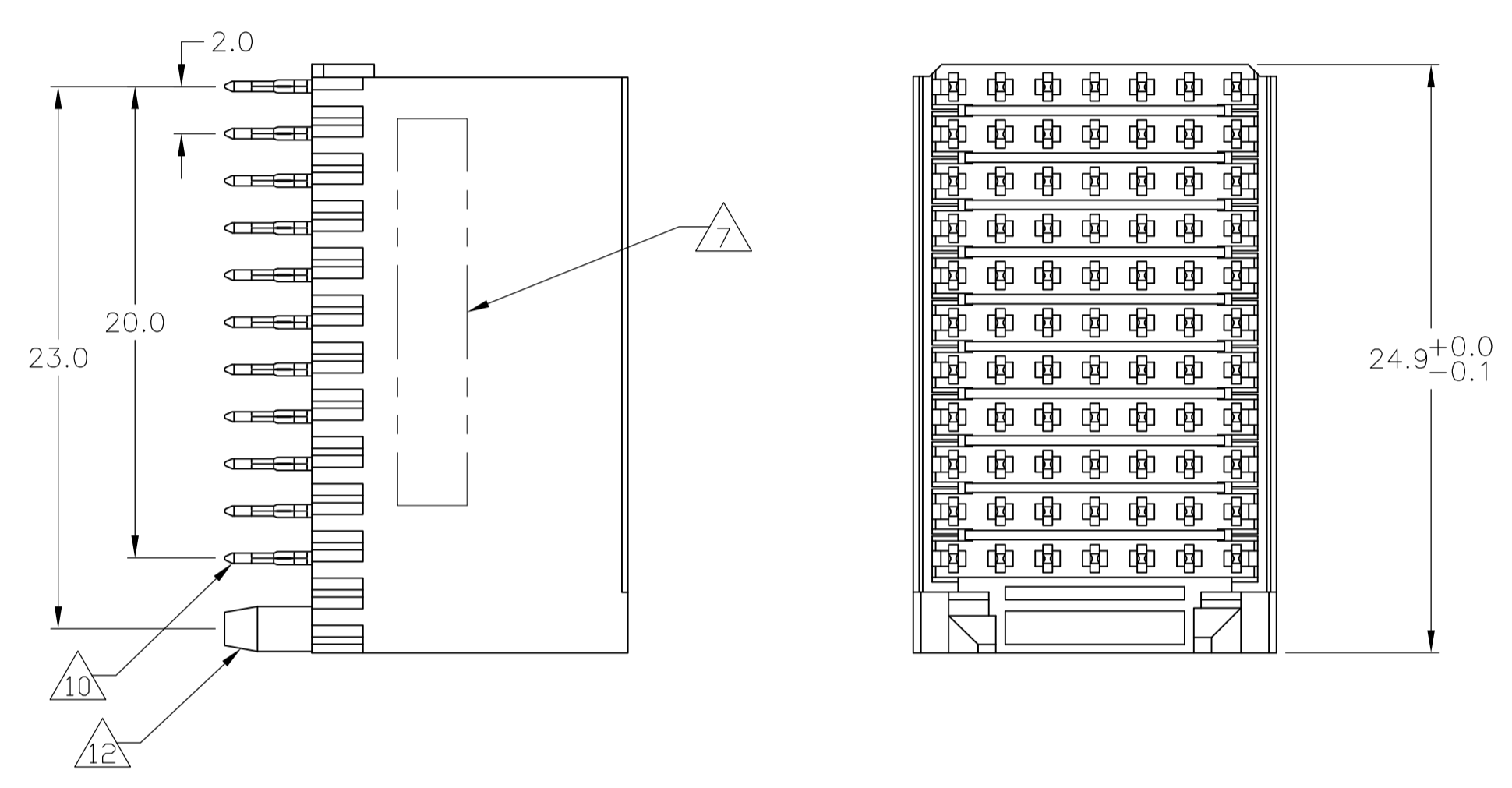


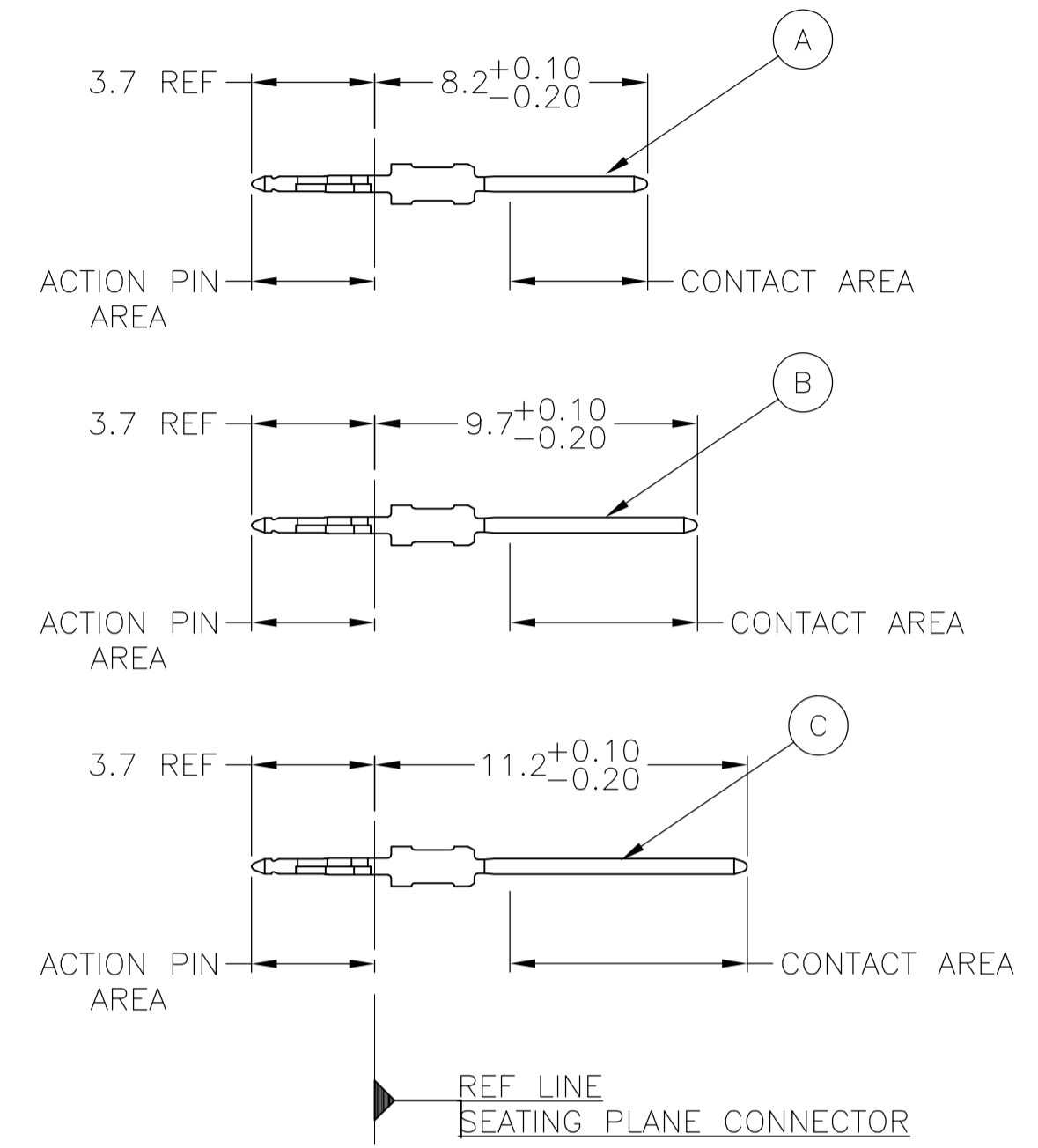
| LOC | | DIST | | REVISIONS | | | |
|-----|-----|---------------------------|---------|-----------|------|--|--|
| P | LTR | DESCRIPTION | DATE | DMN | APVD | | |
| B | | REVISED PER ECO-08-006412 | 12MAR08 | DH | JE | | |
| C | | ECR-10-019054 | 15SEP10 | DP | MQW | | |

CONNECTOR ASSEMBLY EXAMPLARY LOADED

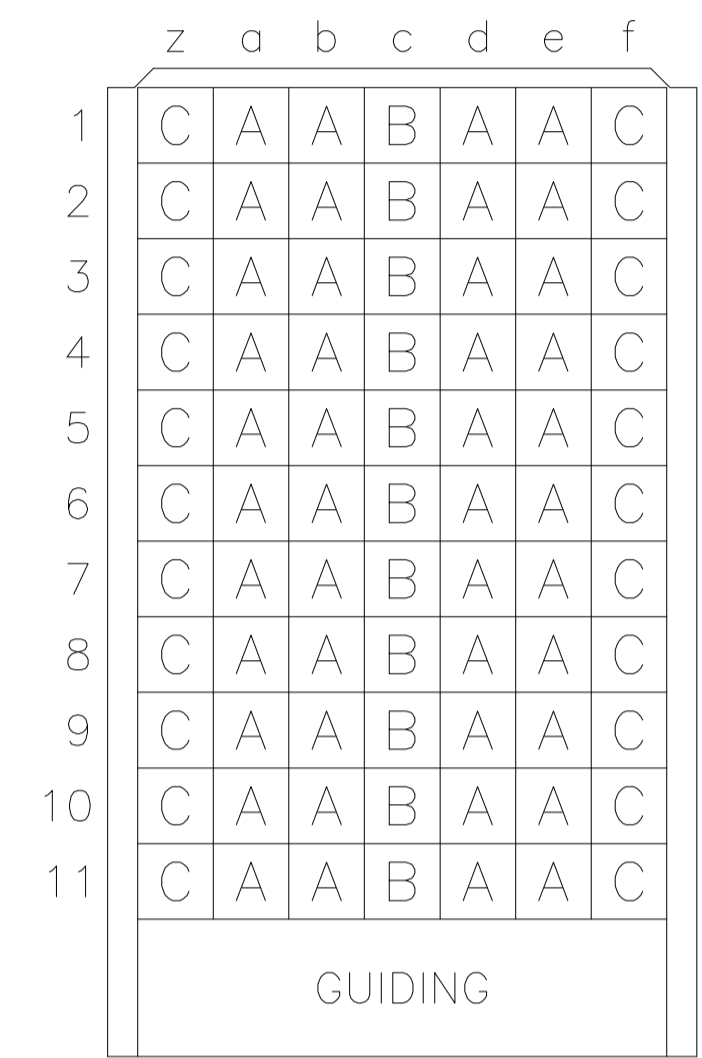


CONTACT DIMENSIONS

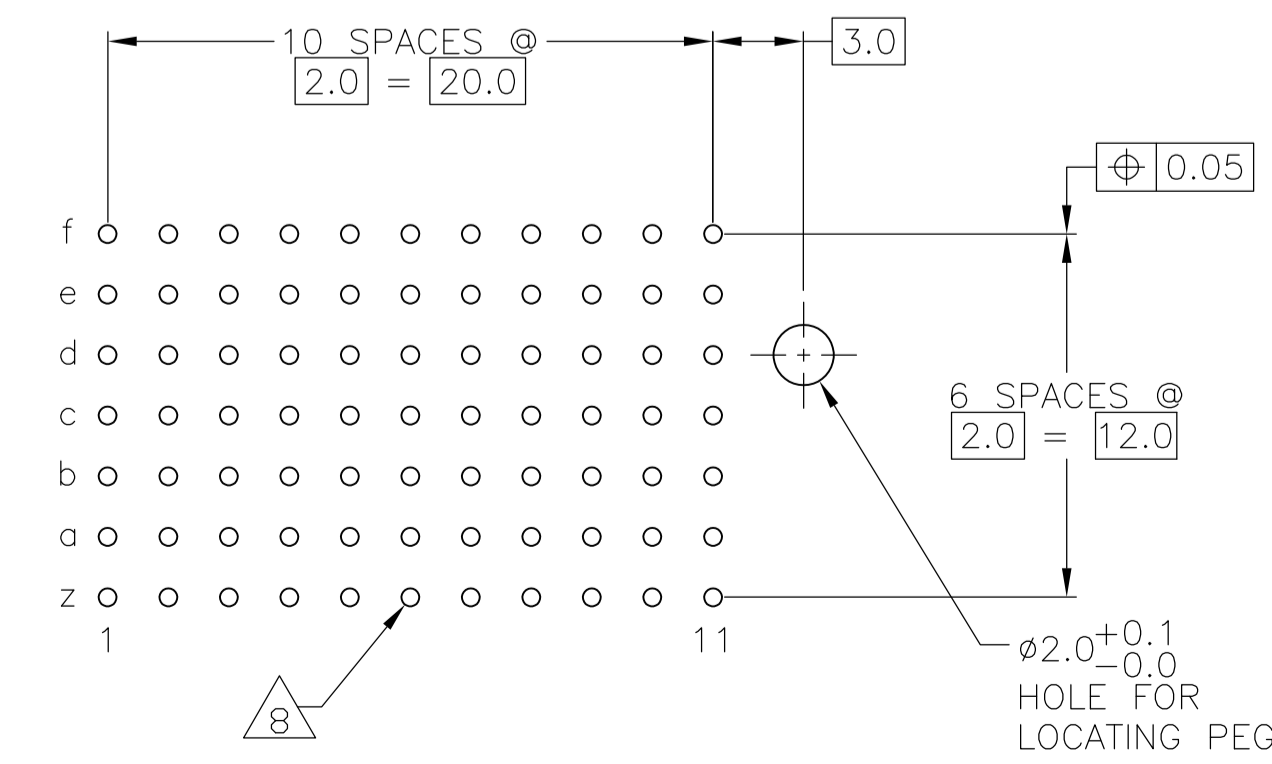
SCALE 5:1



CONTACT LAYOUT



RECOMMENDED PCB-HOLE LAYOUT COMPONENT SIDE SHOWN




PLATED THRU HOLES PARAMETERS REFERENCE APPLICATION SPECIFICATION

| | |
|--------|-------------|
| 2 6 13 | 1-5352452-9 |
| 2 5 13 | 5352452-9 |
| 2 4 | 5352452-4 |
| 2 3 | 5352452-1 |
| FINISH | PART NUMBER |

| | | | | |
|--|--|------------------------|---|--|
| THIS DRAWING IS A CONTROLLED DOCUMENT. | | DIN B CARBO 31AUG05 | Tyco Electronics Corporation Harrisburg, Pa 17105-3608 | |
| DIMENSIONS: mm | | CHK G SKIPPER 31AUG05 | NAME MALE ASSEMBLY, Z-PACK 2mm HM, TYPE C | |
| TOLERANCES UNLESS OTHERWISE SPECIFIED: | | APVD G SKIPPER 31AUG05 | APPLICATION SPEC 108-19082 | |
| 0-PLC ± | | SIZE 114-19029 | | |
| 1-PLC ± 0.2 | | WEIGHT | | |
| 2-PLC ± 0.02 | | SCALE 4:1 | | |
| 3-PLC ± 0.005 | | SHEET 1 OF 2 | | |
| 4-PLC ± 0.005 | | REV C | | |
| ANGLES ± 0.30° | | CUSTOMER DRAWING | | |
| MATERIAL 1 SEE TABLE | | A1 00779 C=5352452 | | |

| LOC | DIST | REVISIONS | | | |
|-----|------|-------------|------|----|------|
| P | LTR | DESCRIPTION | DATE | DN | APVD |
| AD | 00 | SEE SHEET 1 | - | - | - |

- 1 MATERIAL:
CONTACT: PHOSPHOR BRONZE.
HOUSING: GLASS-FILLED POLYESTER.
- 2 GENERAL PLATING SPECIFICATION: UNDERPLATING
(ENTIRE CONTACT): 1.27µm MIN NICKEL AND ACTION
PIN: 0.5µm MIN TIN.
FOR PLATING OF MATING SURFACES SEE APPLICABLE
SPECIFICATION REFERENCE FOR EACH DASH NUMBER.
- 3 CONFORMS TO ALL TESTING ACCORDING TO IEC 61076-4-101
PERFORMANCE LEVEL 2.
- 4 CONFORMS TO ALL TESTING ACCORDING TO IEC 61076-4-101
PERFORMANCE LEVEL 1.
- 5 CONNECTOR TESTED AND QUALIFIED AGAINST TELCORDIA GR-1217-CORE QUALITY LEVEL 3,
CENTRAL OFFICE APPLICATIONS.
- 6 CONNECTOR TESTED AND QUALIFIED AGAINST TELCORDIA GR-1217-CORE QUALITY LEVEL 3,
UNCONTROLLED ENVIROMENT APPLICATIONS.
- 7 CONNECTOR MARKED WITH PART NUMBER AND DATE CODE.
ADDITIONAL CHARACTERS OR MARKINGS, AS WELL AS THE LOCATION OF THE MARKINGS,
MAY BE ADDED FOR TRACEABILITY BASED UPON MANUFACTURERS DISCRETION.
- 8 PLATED-THROUGH HOLES AT 2x2mm SQUARE GRID
PATTERN DEFINED BY CONTACT LAYOUT.
- 9 FOR ACTUAL PIN LOADING SEE "CONTACT LAYOUT".
- 10 FOR ACTUAL PIN DIMENSIONS SEE "CONTACT DIMENSIONS".
- 11 TO BE MEASURED AT BOTTOM OF SHROUD.
- 12 LOCATION PEG.
- 13 CONNECTOR LUBRICATED WITH BELCORE APPROVED LUBRICANT,
TECHNICAL REFERENCE: TR-NWT-001217 ISSUE 1, SEP 1992.

| | | | | |
|--|--|--------------------|---------|---|
| THIS DRAWING IS A CONTROLLED DOCUMENT. | | DIN B CARBO | 31AUG05 |  Tyco Electronics Corporation Harrisburg, Pa 17105-3608 |
| | | CHK G SKIPPER | 31AUG05 | |
| | | APVD G SKIPPER | 31AUG05 | NAME |
| | | PRODUCT SPEC | | |
| | | 108-19082 | | |
| | | APPLICATION SPEC | | |
| | | 114-19029 | | |
| | | RESTRICTED TO | | |
| | | A1 00779 C=5352452 | | |
| | | CUSTOMER DRAWING | | |
| | | SCALE | 4:1 | SHEET 2 OF 2 |
| | | REV C | | |