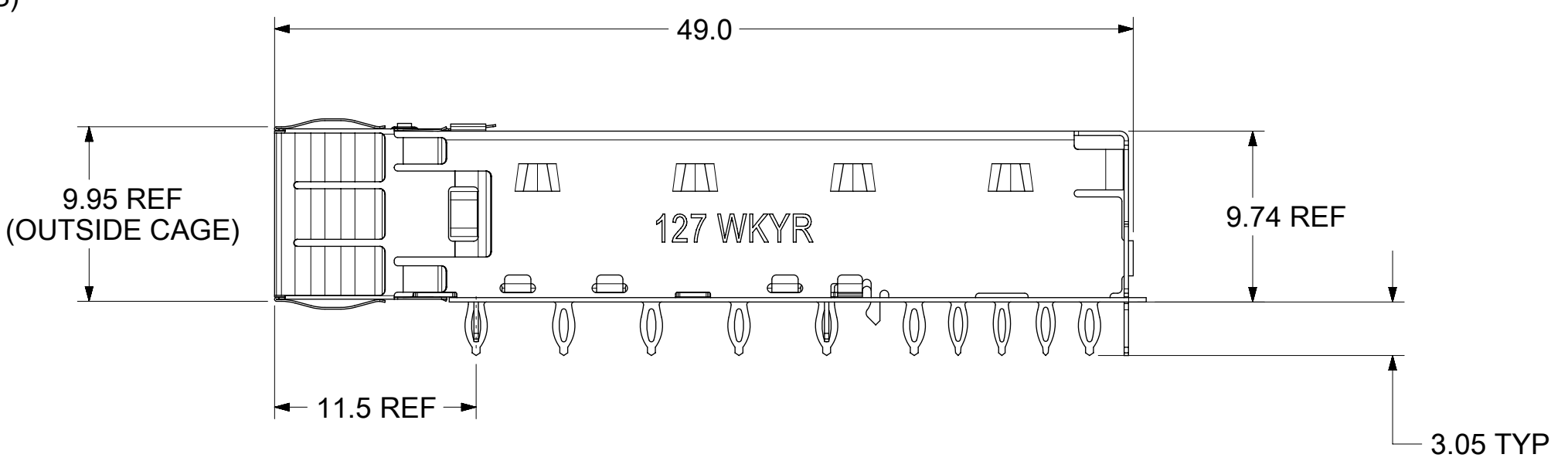
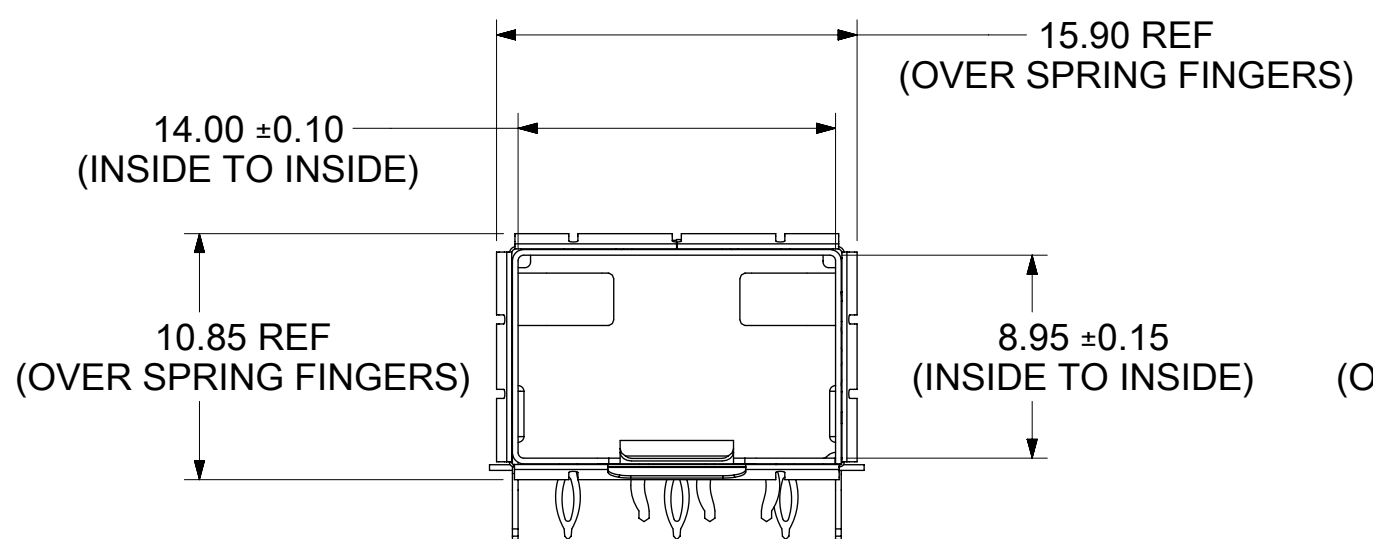
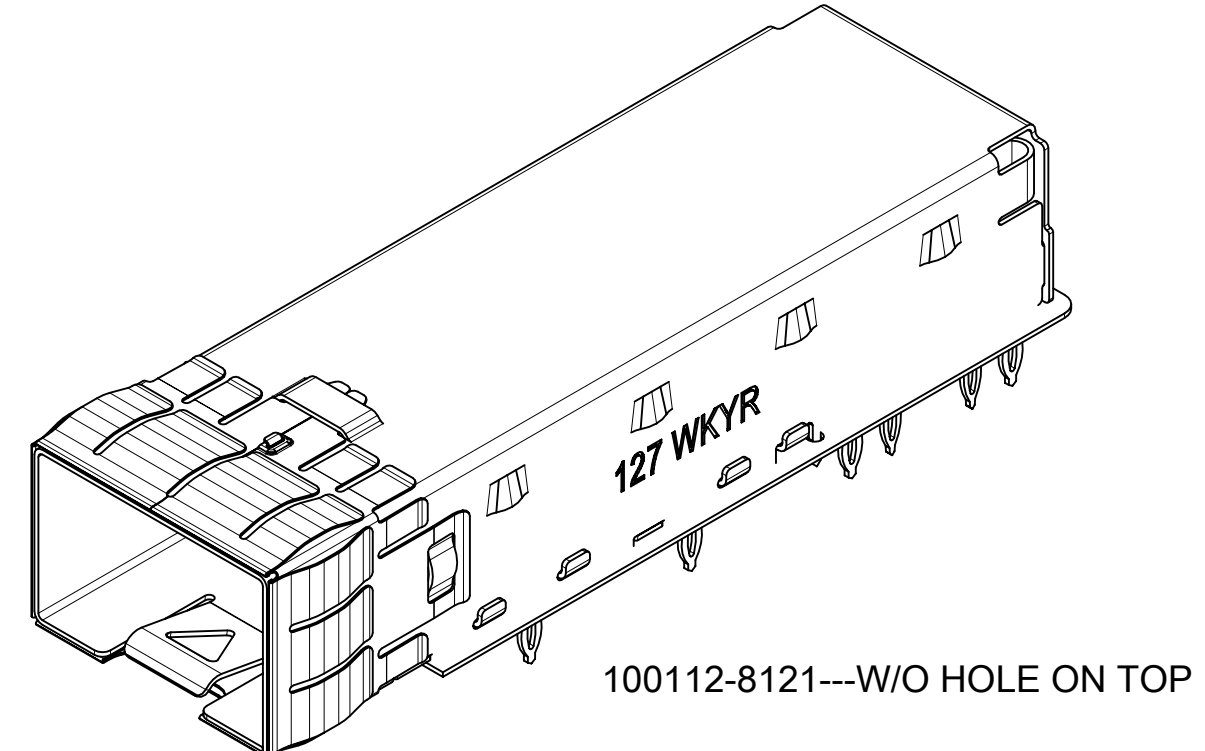


PART NUMBER	FEATURE
100112-3117	WITH HOLE ON TO SURFACE
100112-8121	WITHOUT HOLE ON TOP SURFACE



PART NO. AND WEEK/YEAR DATE CODE TO BE PRINTED ON THE SIDE OF COMPLETED CAGE ASSEMBLY APPROXIMATELY AS SHOWN

WEEK/YEAR DATE CODE TABLE	
WK	01 THRU 52 OR 53 EXAMPLE: 01 = FIRST WEEK OF YEAR 52 = LAST WEEK OF YEAR
YR	22, 23, 24 ETC. EXAMPLE: YEAR 2022 = 22

NOTES:

- MATERIAL:
CAGE: 0.25mm THICK COPPER ALLOY, NICKEL PLATED
SPRING FINGER: STAINLESS STEEL
UNDER BELLY GASKET: EMI GASKET
- PRESS FIT LEGS 3.05mm LONG
- OPTIONAL LIGHT PIPE ASSEMBLY AVAILABLE
- PORTS ARE DESIGNED FOR SFP+ TRANSCEIVERS AND ARE COMPATIBLE WITH SFP TRANSCEIVERS
- NO RoHS EXEMPTIONS.

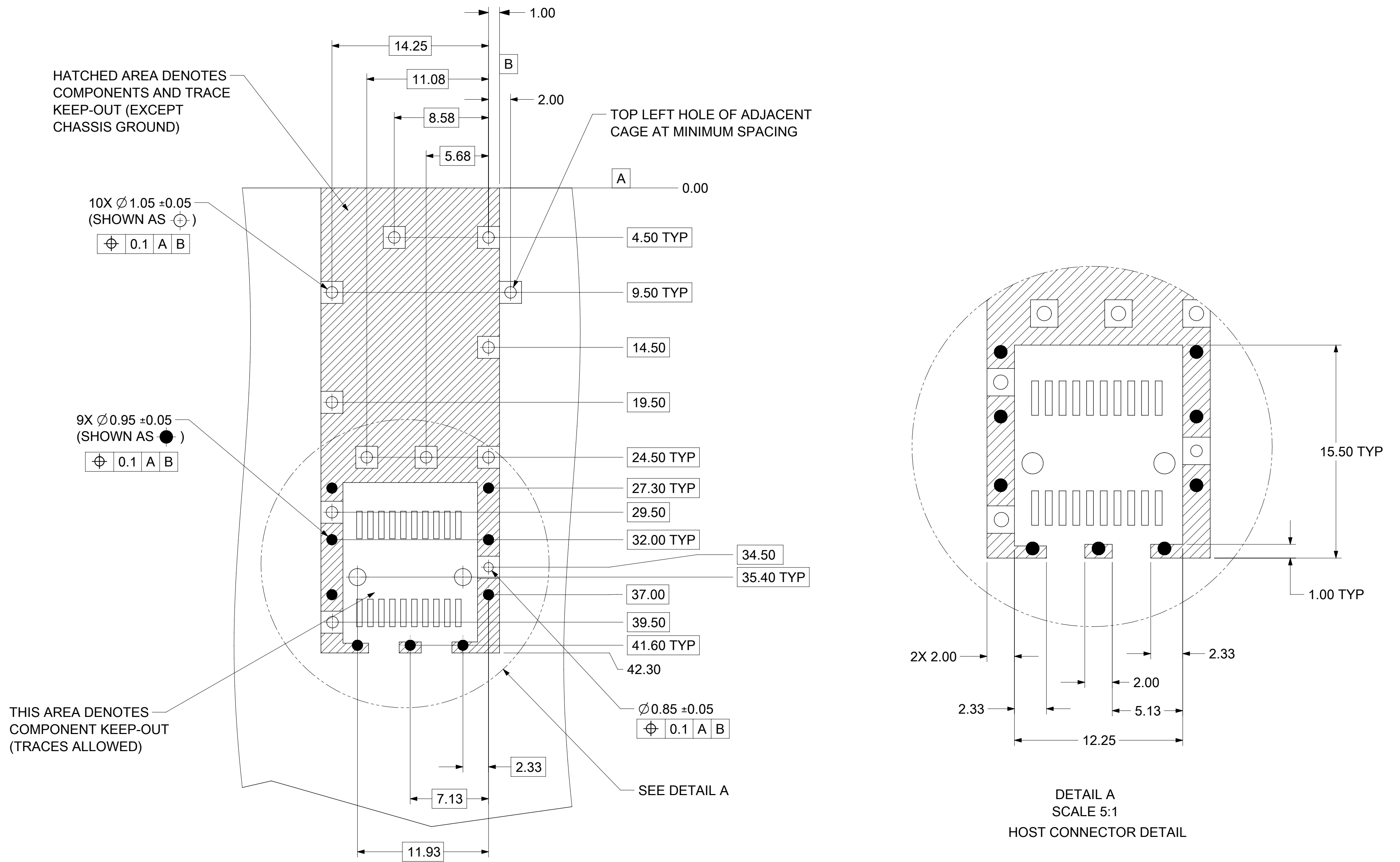
FUNCTIONAL SYMBOLS $\nabla = 0$ $\nabla = 0$ $\nabla = 0$	THIS DRAWING CONTAINS INFORMATION THAT IS PROPRIETARY TO MOLEX ELECTRONIC TECHNOLOGIES, LLC AND SHOULD NOT BE USED WITHOUT WRITTEN PERMISSION		CURRENT REV DESC: SEE REVISION TABLE	
	DIMENSION UNITS	SCALE		
	mm	3:1		
	GENERAL TOLERANCES (UNLESS SPECIFIED)			
DIVISIONAL SYMBOLS $\nabla = 0$ $\nabla = 0$ $\nabla = 0$	ANGULAR TOL	± 1.0°		
	4 PLACES	±		
	3 PLACES	±		
	2 PLACES	± 0.13		
DRAFT WHERE APPLICABLE MUST REMAIN WITHIN DIMENSIONS		THIRD ANGLE PROJECTION	DRAWING	SERIES
			C-SIZE	100112

EC NO: 706896		2022/04/07	
DRWN: PKH		2022/05/19	
CHK'D: TKUMARKC		2022/05/26	
APPR: SCHIEN			
INITIAL REVISION:			
DRWN: PKH		2022/04/07	
APPR: SCHIEN		2022/05/26	

DOCUMENT NUMBER		DOC TYPE	DOC PART	REVISION
1001123117		PSD	ASY	A

MATERIAL NUMBER	CUSTOMER	SHEET NUMBER
SEE P/N TABLE		1 OF 4

PCB LAYOUT FOR SINGLE SIDE MOUNT



- NOTES:
1. PADS AND VIAS CONNECT TO CHASSIS GROUND (RECOMMEND PADS TO BE 2.00mm SQUARE)
 2. RECOMMEND THRU HOLE PLATING INCLUDES HASL, OSP, OR IMMERSION (GOLD, SILVER, OR TIN)
 3. CONNECTOR PAD LAYOUT PER SFP+ MSA WILL ACCOMMODATE MOLEX CONNECTOR SERIES 170382 OR EQUIVALENT
 4. MIN PCB THICKNESS FOR SINGLE SIDED USE: 1.57 MM.

FUNCTIONAL SYMBOLS	THIS DRAWING CONTAINS INFORMATION THAT IS PROPRIETARY TO MOLEX ELECTRONIC TECHNOLOGIES, LLC AND SHOULD NOT BE USED WITHOUT WRITTEN PERMISSION		
	DIMENSION UNITS	SCALE	CURRENT REV DESC: SEE REVISION TABLE
$\frac{F}{A} = 0$	mm	4:1	EC NO: 706896 DRWN: PKH 2022/04/07 CHK'D: TKUMARKC 2022/05/19 APPR: SCHIEN 2022/05/26
$\frac{F}{C} = 0$	GENERAL TOLERANCES (UNLESS SPECIFIED)		
$\frac{F}{P} = 0$	ANGULAR TOL $\pm 1.0^\circ$		INITIAL REVISION:
DIVISIONAL SYMBOLS	4 PLACES	\pm	DRWN: PKH 2022/04/07
	3 PLACES	\pm	APPR: SCHIEN 2022/05/26
	2 PLACES	± 0.13	DRWN: PKH 2022/04/07
	1 PLACE	± 0.25	APPR: SCHIEN 2022/05/26
	0 PLACES	\pm	
DRAFT WHERE APPLICABLE MUST REMAIN WITHIN DIMENSIONS		THIRD ANGLE PROJECTION	DRAWING SERIES
			C-SIZE 100112
DOCUMENT STATUS		P1	RELEASE DATE 2022/05/26 08:01:48
12		11	10
9		8	7
6		5	4
3		2	1
MATERIAL NUMBER		CUSTOMER	SHEET NUMBER
SEE P/N TABLE			2 OF 4

molex

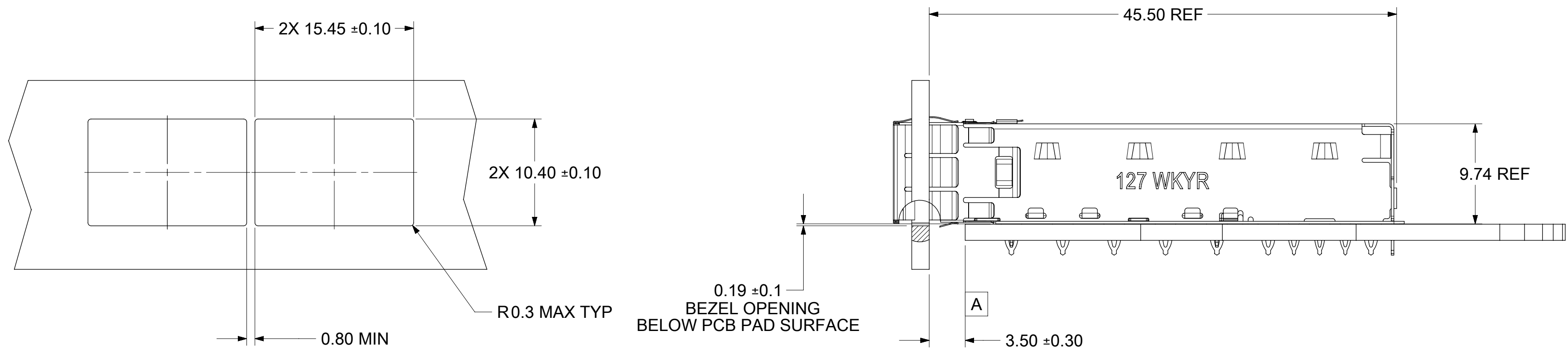
ZSFP+ 1X1 CAGE ASSY, CLOSE TOP,
PRESS FIT WITH SUS EMI SPRING FINGERS

PRODUCT CUSTOMER DRAWING

DOCUMENT NUMBER
1001123117

DOC TYPE DOC PART REVISION
PSD ASY A


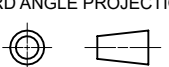
BEZEL AND BOARD POSITION DIMENSIONS FOR SINGLE SIDE MOUNTING (CAGE WITH SPRING FINGER)



NOTES:
1. PCB THICKNESS VARIATION MUST BE CONSIDERED WHEN DETERMINING BEZEL OPENING SIZE AND LOCATION

FUNCTIONAL SYMBOLS	THIS DRAWING CONTAINS INFORMATION THAT IS PROPRIETARY TO MOLEX ELECTRONIC TECHNOLOGIES, LLC AND SHOULD NOT BE USED WITHOUT WRITTEN PERMISSION										
$\frac{F}{A} = 0$	DIMENSION UNITS	SCALE	CURRENT REV DESC: SEE REVISION TABLE							<h1 style="margin: 0;">molex</h1>	
$\frac{F}{C} = 0$	mm	3:1									
$\frac{F}{P} = 0$	GENERAL TOLERANCES (UNLESS SPECIFIED)		EC NO: 706896							ZSFP+ 1X1 CAGE ASSY, CLOSE TOP, PRESS FIT WITH SUS EMI SPRING FINGERS	
	ANGULAR TOL ± 1.0°		DRWN: PKH 2022/04/07								
DIVISIONAL SYMBOLS	4 PLACES ±		CHK'D: TKUMARKC 2022/05/19							PRODUCT CUSTOMER DRAWING	
	3 PLACES ±		APPR: SCHIEN 2022/05/26								
	2 PLACES ± 0.13		INITIAL REVISION:							DOCUMENT NUMBER 1001123117	
	1 PLACE ± 0.25		DRWN: PKH 2022/04/07								
	0 PLACES ±		APPR: SCHIEN 2022/05/26							DOC TYPE DOC PART REVISION PSD ASY A	
	DRAFT WHERE APPLICABLE MUST REMAIN WITHIN DIMENSIONS		THIRD ANGLE PROJECTION		DRAWING		SERIES		MATERIAL NUMBER CUSTOMER SHEET NUMBER		
					C-SIZE		100112		SEE P/N TABLE 3 OF 4		

REV	DATE	DESCRIPTION
A	2022/05/19	INITIAL RELEASE

FUNCTIONAL SYMBOLS	THIS DRAWING CONTAINS INFORMATION THAT IS PROPRIETARY TO MOLEX ELECTRONIC TECHNOLOGIES, LLC AND SHOULD NOT BE USED WITHOUT WRITTEN PERMISSION															
	DIMENSION UNITS	SCALE	CURRENT REV DESC: SEE REVISION TABLE													
$\frac{F}{A} = 0$	mm	1:1	EC NO: 706896 DRWN: PKH 2022/04/07 CHK'D: TKUMARKC 2022/05/19 APPR: SCHIEN 2022/05/26 INITIAL REVISION: DRWN: PKH 2022/04/07 APPR: SCHIEN 2022/05/26									DOCUMENT NUMBER		DOC TYPE	DOC PART	REVISION
$\frac{F}{C} = 0$	GENERAL TOLERANCES (UNLESS SPECIFIED)									1001123117		PSD	ASY	A		
$\frac{F}{P} = 0$	ANGULAR TOL ± 1.0°									SEE P/N TABLE		CUSTOMER		SHEET NUMBER		
DIVISIONAL SYMBOLS	4 PLACES	±	DRAFT WHERE APPLICABLE MUST REMAIN WITHIN DIMENSIONS							THIRD ANGLE PROJECTION		DRAWING	SERIES	MATERIAL NUMBER	CUSTOMER	SHEET NUMBER
	3 PLACES	±										C-SIZE	100112	SEE P/N TABLE		4 OF 4
	2 PLACES	± 0.13														
	1 PLACE	± 0.25														
	0 PLACES	±														



ZSFP+ 1X1 CAGE ASSY, CLOSE TOP, PRESS FIT WITH SUS EMI SPRING FINGERS

PRODUCT CUSTOMER DRAWING

1001123117 PSD ASY A