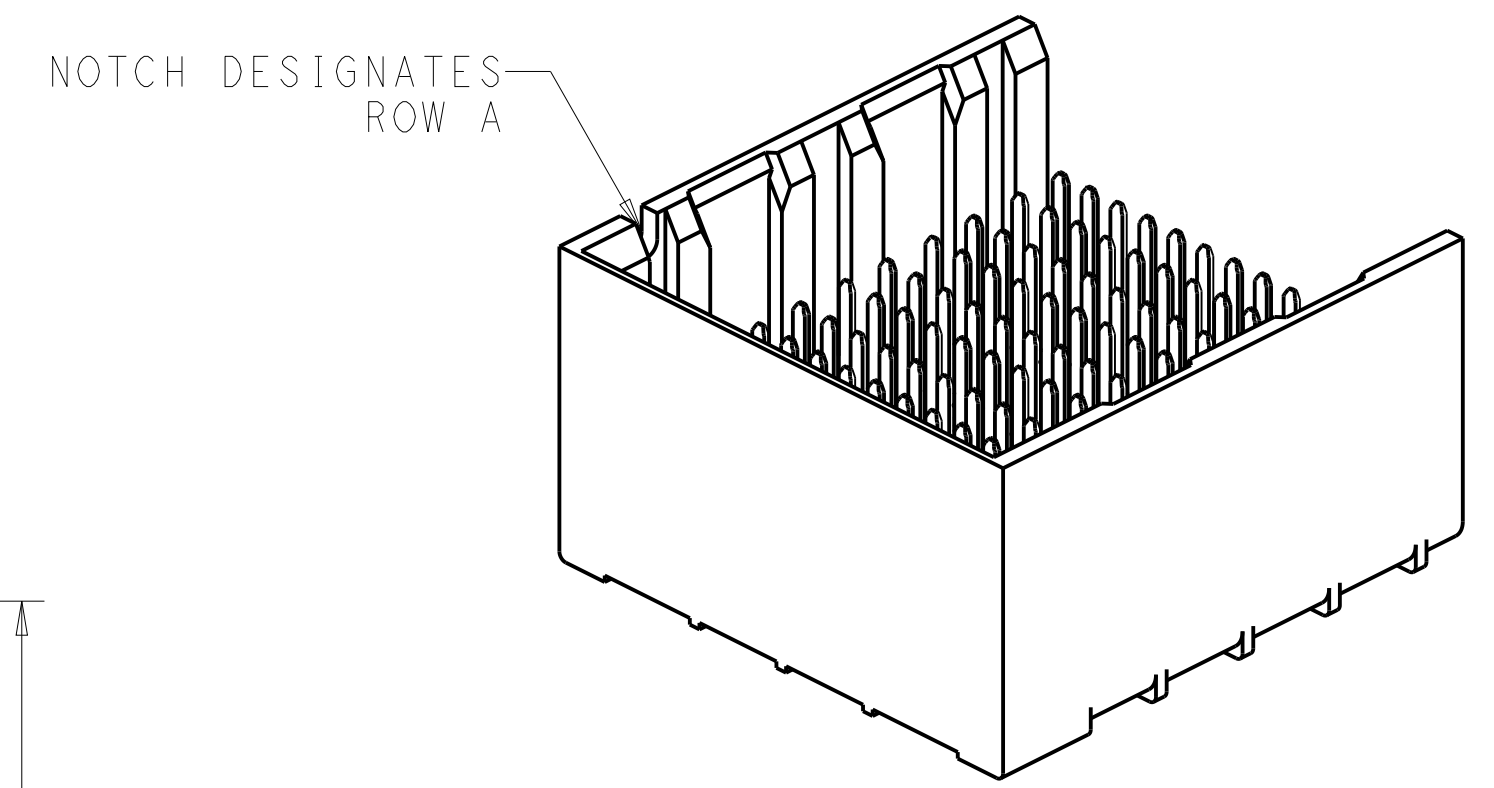
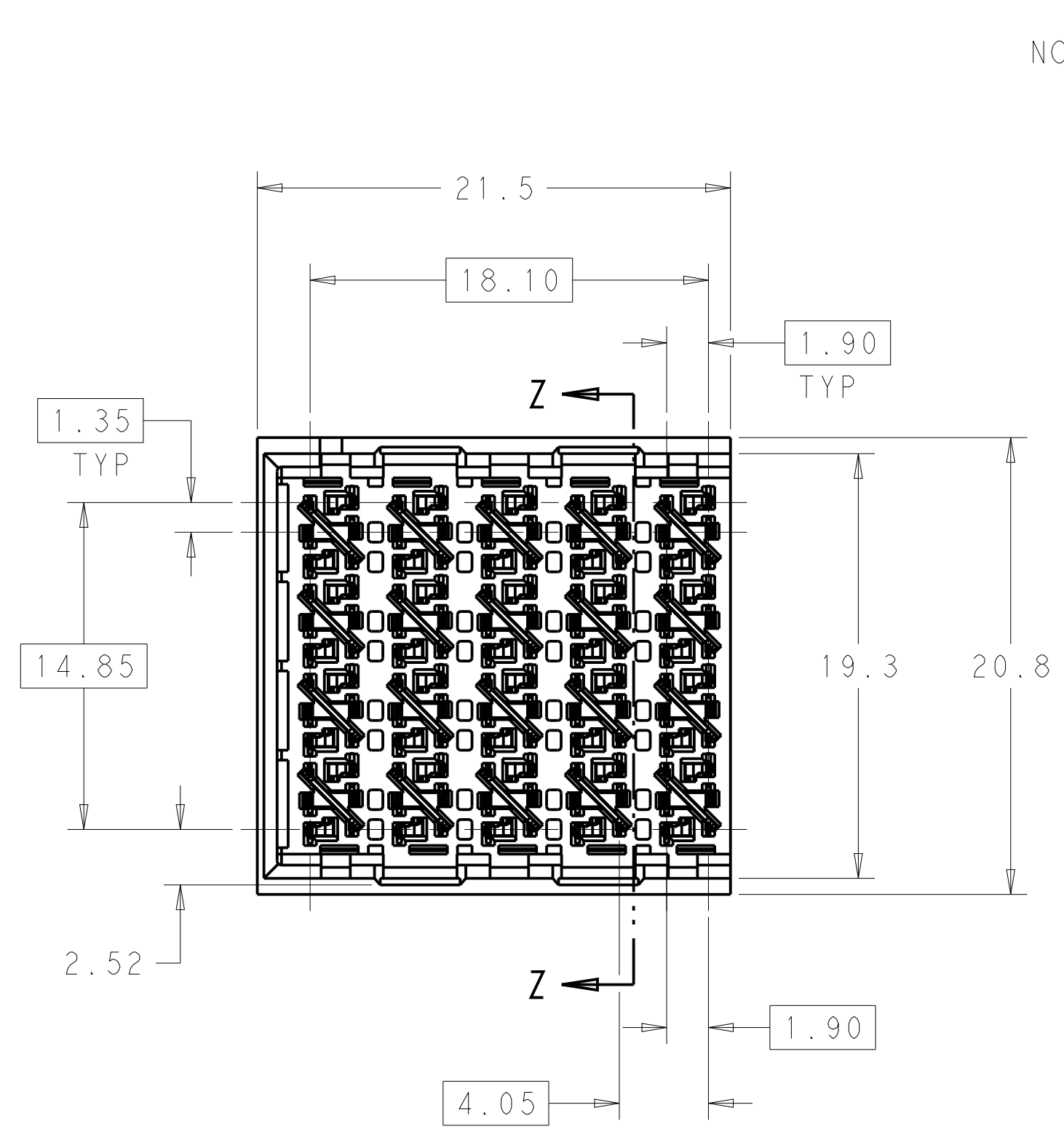
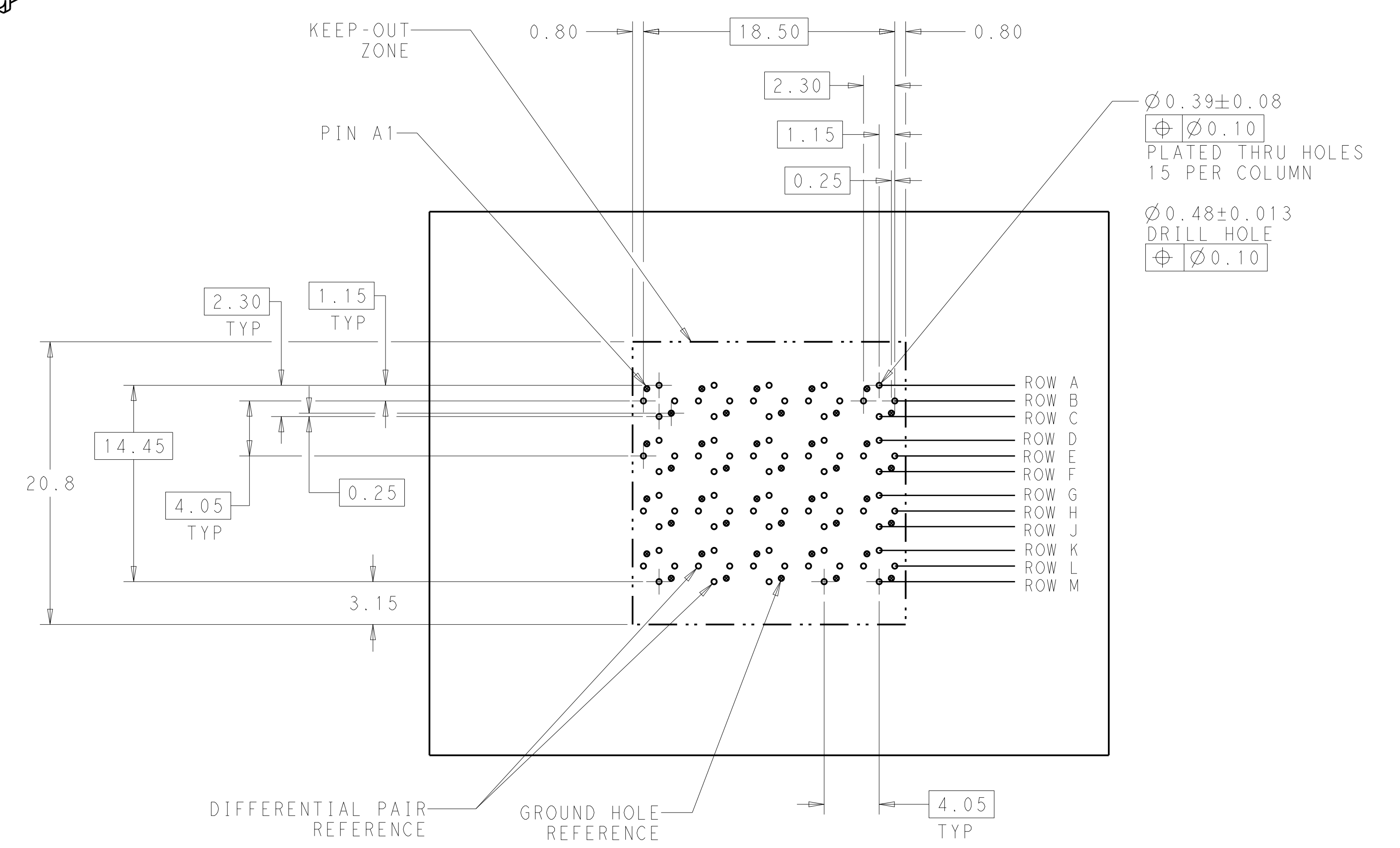


REVISIONS				
P.	LTN	DESCRIPTION	DATE	APVD
C		REVISED PER ECO-14-013271	08SEP2014	AP DD

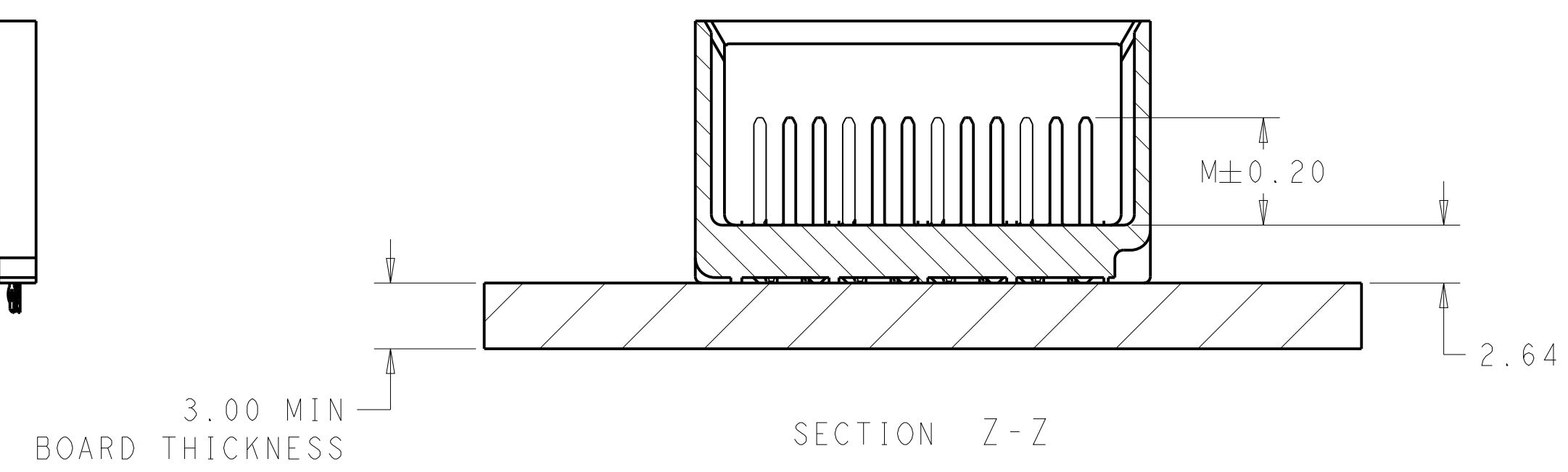
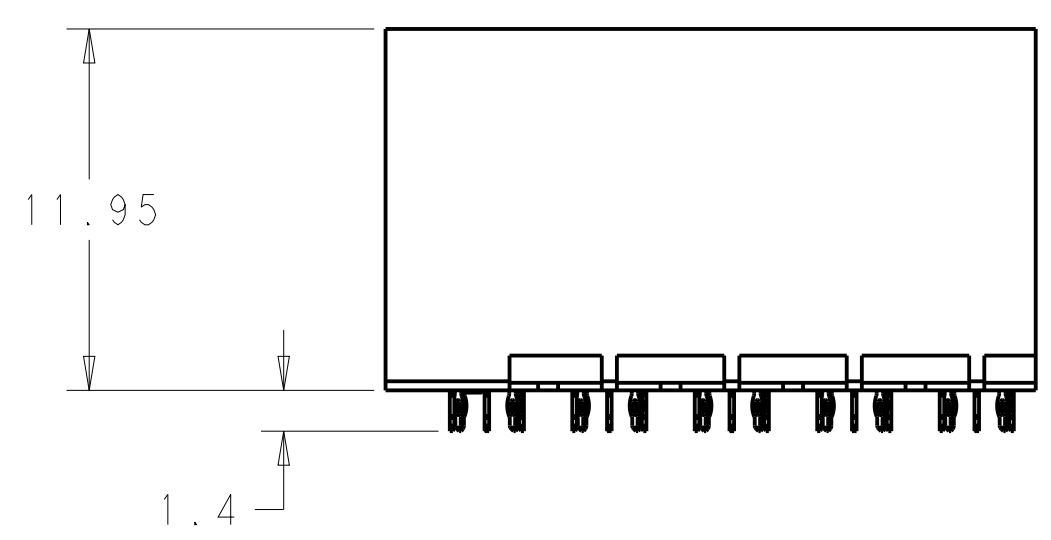


△ MATERIAL:
 HOUSING: LCP GLASS FILLED UL94V-0
 TERMINALS: HIGH PERFORMANCE COPPER ALLOY

△ FINISH:
 30μ" MIN GOLD IN CONTACT AREA
 SELECTIVE TIN ON PCB TAILS.
 NICKEL OVERALL.



LEFT GUIDED
 BACKPLANE HOLE PATTERN
 (CONNECTOR SIDE)
 SCALE 4:1



△	5.5	2132630-2
△	4.9	2132630-1
FINISH	DIM M	PART NUMBER

THIS DRAWING IS A CONTROLLED DOCUMENT.		DWN J. K. SHOBER 13SEP2010	NAME
DIMENSIONS:		CHK J. EARY 13SEP2010	IMPACT, ORTHOGONAL, 4 PAIR 10 COLUMN
mm		APVD J. EARY 13SEP2010	UNGUIDED LEFT END WALL,
0 PLC ±		PRODUCT SPEC	HEADER ASSEMBLY, 0.39 PTH
1 PLC ±0.25		APPLICATION SPEC	SIZE CAGE CODE DRAWING NO
2 PLC ±0.13		WEIGHT	A100779C=2132630
3 PLC ±		Customer Drawing	RESTRICTED TO
4 PLC ±		SCALE 4:1	SHEET 1 OF 1
ANGLES ±0		REV C	
MATERIAL SEE TABLE			