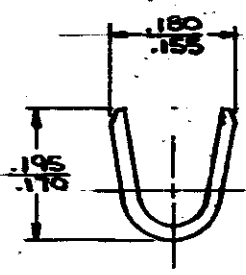
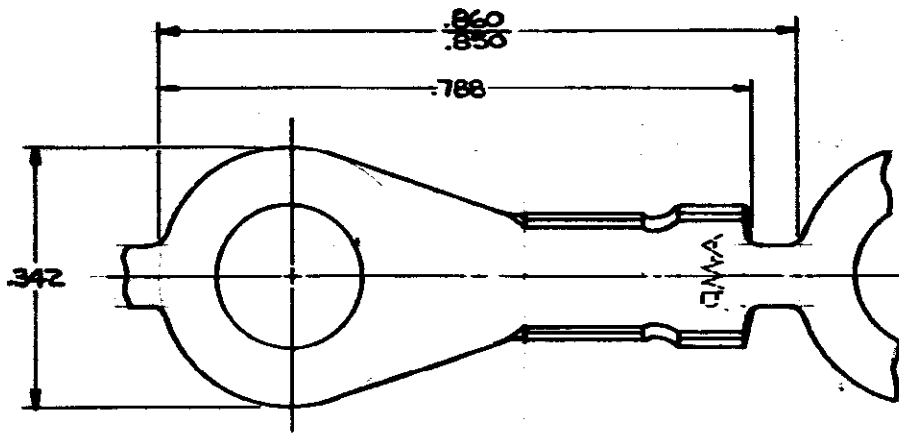
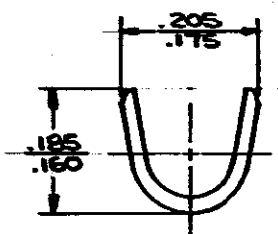
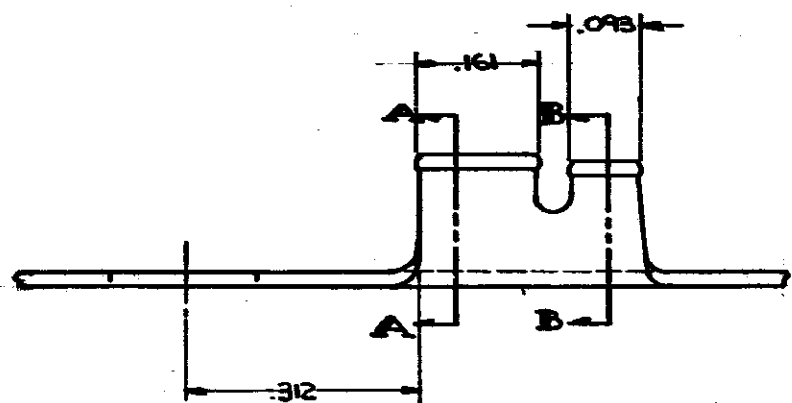


NUMBER 60235



SECTION A-A



SECTION B-B

WIRE SIZE AWG.	INSULATION RANGE	STUD #	HOLE DIA. ±.003	MATERIAL AND FINISH	TERMINAL NUMBER
18-14	.100-140	10	.197	.020 BRASS - NONE	60235-1
		10	.197	.020 BRASS - TIN	60235-2
18-14	.100-140	10	.197	.020 STEEL - PRE NI	60235-3

OBSOLETE  
OBSOLETE

DIMENSIONS IN INCHES. DO NOT SCALE PRINT.

**CUSTOMER DRAWING**

<p>REV PER AF540A</p> <p>OBS.-2 AF-3753</p> <p>OBS.-3 AF-3756</p>				<p>MATERIAL</p> <p>FINISH</p> <p>WIRE SIZE</p> <p>INSULATION DIA</p>		<p>©1963 BY AMP INCORPORATED. ALL RIGHTS RESERVED. AMP PRODUCTS COVERED BY PATENTS AND/OR PATENTS PENDING.</p>	
<p>ADD 60235-3</p> <p>REDRAWN</p> <p>REVISION RECORD</p>				<p>A47</p> <p>I 421</p> <p>ECA</p>		<p>AMP INCORPORATED</p> <p>HARRISBURG, PENNA.</p>	
<p>W.J. GARVER 9-27-63</p> <p>R. S. Anderson 10-1-63</p>				<p>DATE</p> <p>9-27-63</p> <p>10-1-63</p>		<p>TOLERANCE EXCEPT AS NOTED = .015 = 1" 0'</p> <p>SCALE 4-1</p> <p>LOC AF A</p> <p>NO 60235</p>	
<p>NAME</p>				<p>RING</p>			