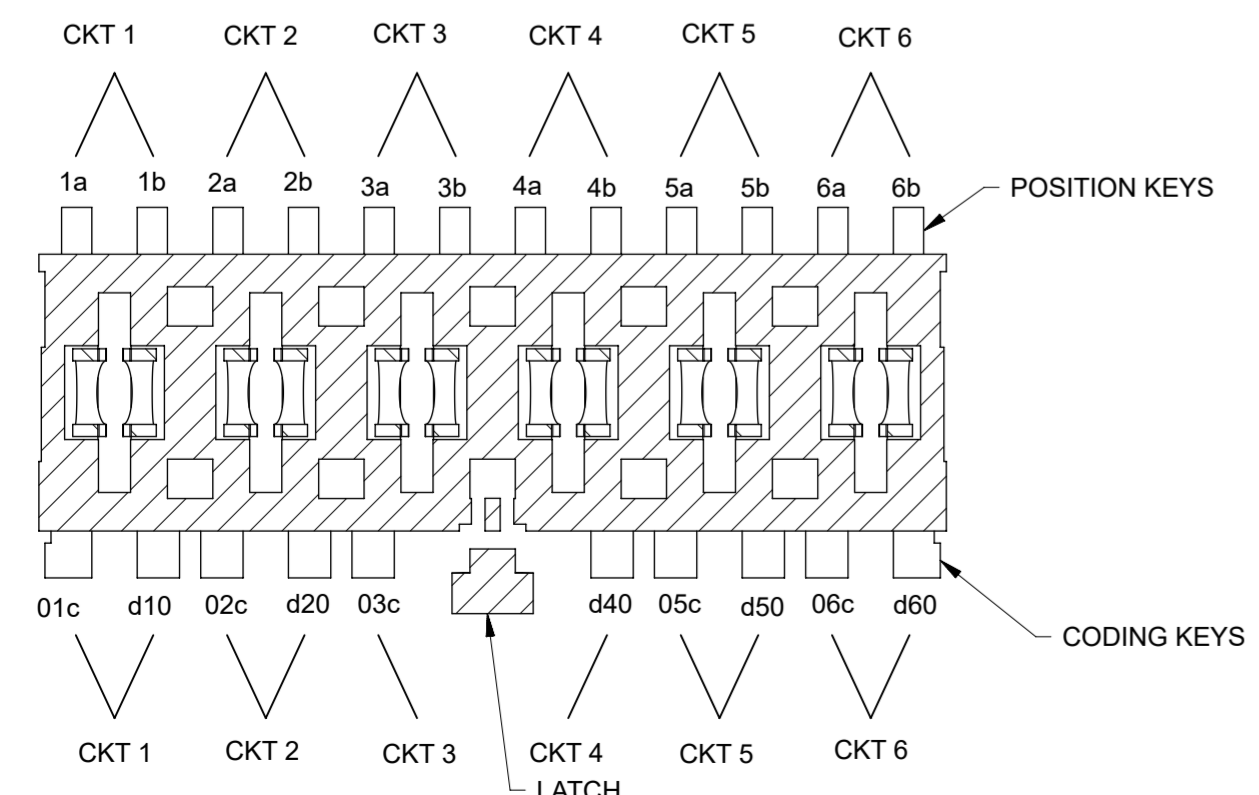
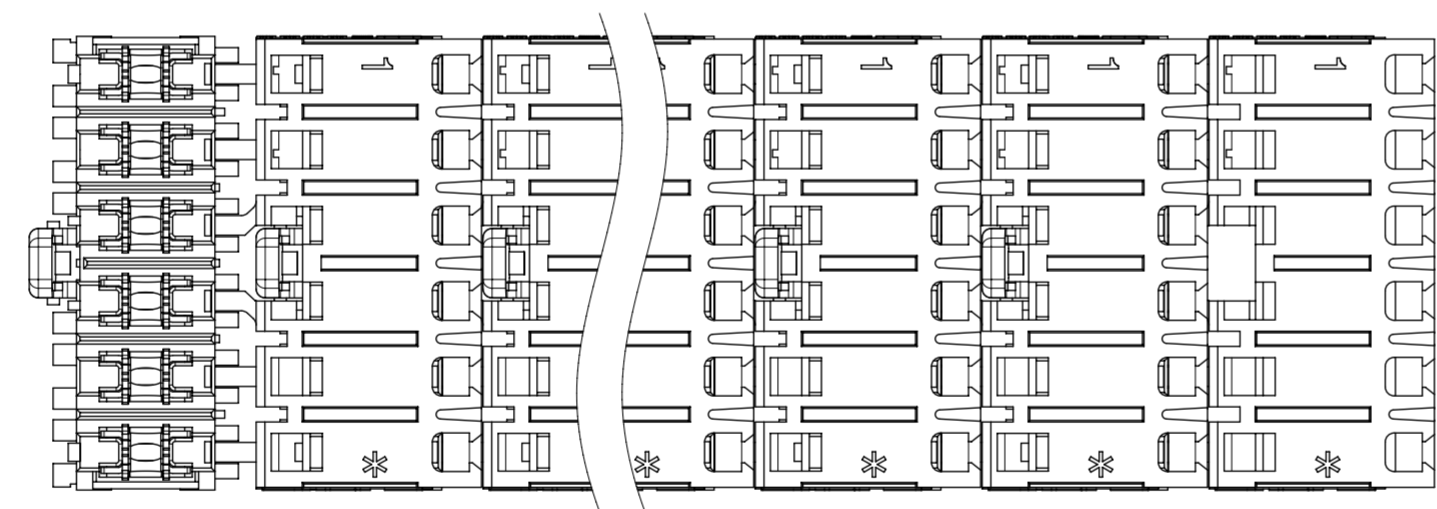
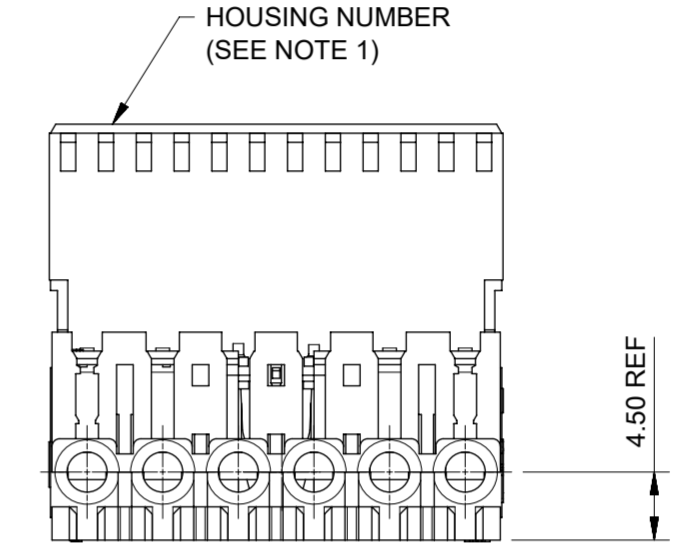
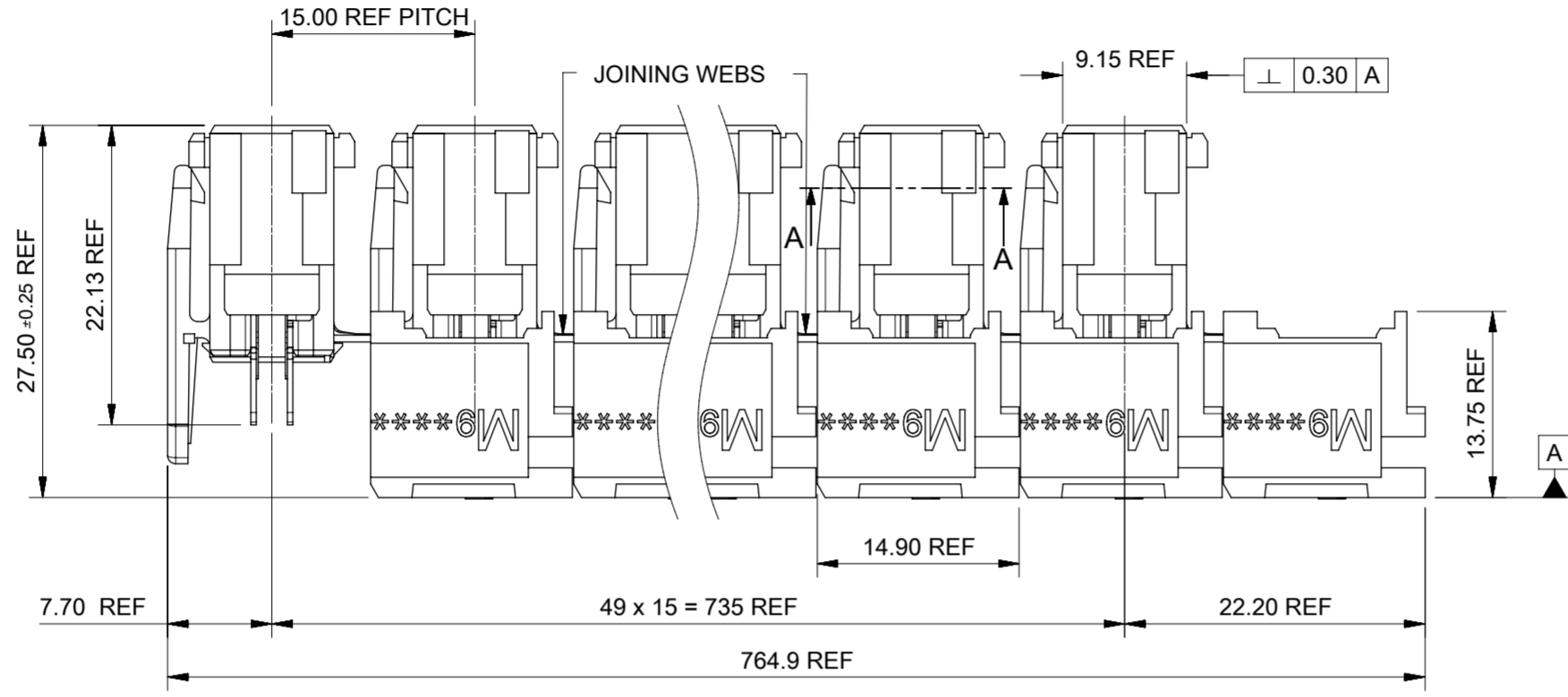
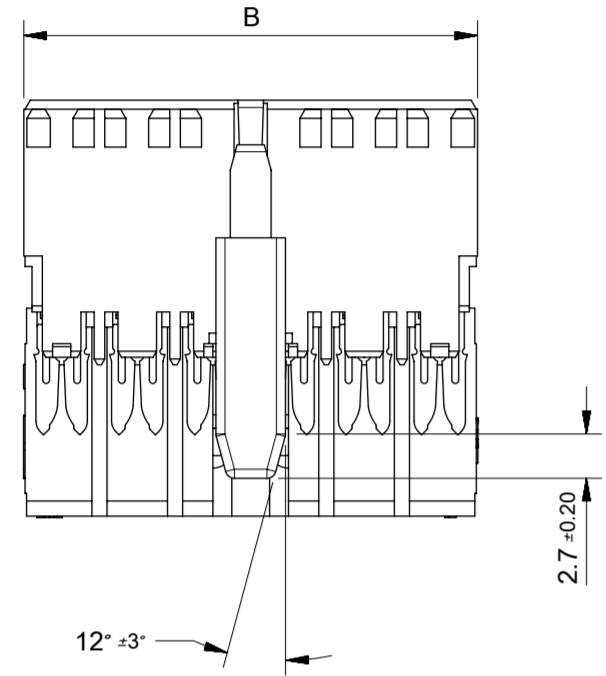
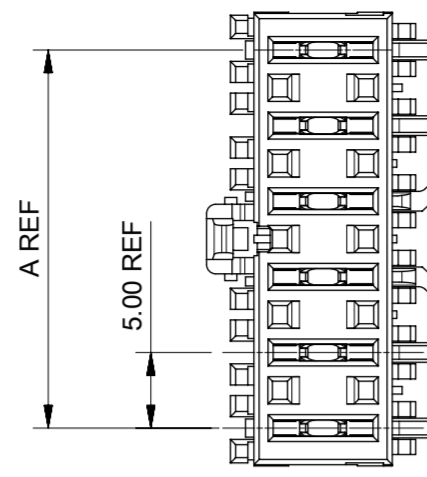


- NOTES:
- MATERIALS  
 HOUSING: UNFILLED NYLON 6/6, RATED UL 94V-2  
 FOR COLOURS, SEE CHARTS ON SHEETS 2-6.  
 TERMINALS: PHOSPHOR BRONZE. 0.40 THICK REF.  
 PLATING: 2µ MIN Ag IN CONTACT AREA  
 0.10µ MIN SILVER FLASH ALLOVER
  - PRODUCT CONFORMS TO SPECIFICATION PS-99020-0037
  - APPLICATION SPECIFICATION AS-99033-0004
  - SEE SUBSEQUENT SHEETS FOR PART NUMBERS SHOWING THE VARIOUS CODING, HOUSING NUMBERS, KEYING AND LATCHING OPTIONS
  - SEE PACKAGING SPECIFICATION PK-90833-001



PENDING APPROVAL

Ckt Size	A	B
2	5.00	9.94 +/- 0.04
3	10.00	14.93 +/- 0.05
4	15.00	19.93 +/- 0.05
5	20.00	24.90 +/- 0.08
6	25.00	29.90 +/- 0.08
7	30.00	34.90 +/- 0.08
8	35.00	39.90 +/- 0.08
9	40.00	44.90 +/- 0.08
10	45.00	49.90 +/- 0.08
11	50.00	54.90 +/- 0.08
12	55.00	59.90 +/- 0.08

THIS DRAWING CONTAINS INFORMATION THAT IS PROPRIETARY TO MOLEX ELECTRONIC TECHNOLOGIES, LLC AND SHOULD NOT BE USED WITHOUT WRITTEN PERMISSION

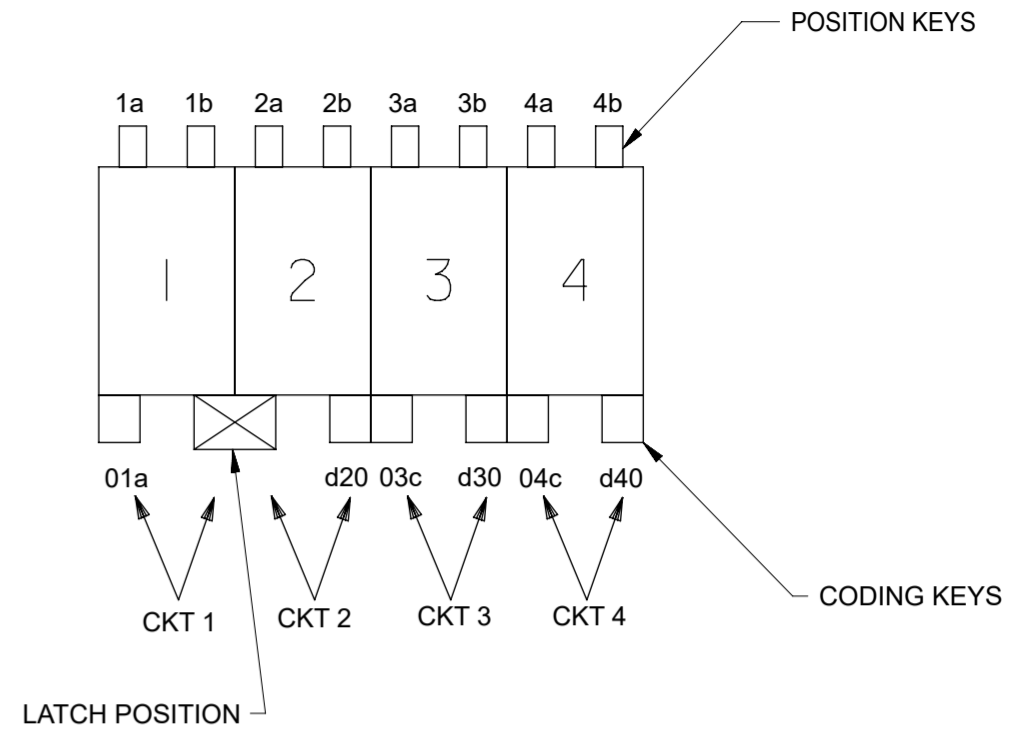
DIMENSION UNITS	SCALE	CURRENT REV DESC:		<b>molex</b>
mm	2:1			
GENERAL TOLERANCES (UNLESS SPECIFIED)		EC NO: 628634		5MM APPLI-MATE 6A/10A
ANGULAR TOL	± 0.5°	DRWN: AKABADI	2019/11/21	
4 PLACES	±	CHK'D:		PRODUCT CUSTOMER DRAWING
3 PLACES	± 0.05	APPR:		
2 PLACES	± 0.1	INITIAL REVISION:		DOCUMENT NUMBER
1 PLACE	± 0.2	DRWN: AKABADI	2016/10/28	930520001
0 PLACES	±	APPR: BRUTTLE	2016/11/16	DOC TYPE
DRAFT WHERE APPLICABLE MUST REMAIN WITHIN DIMENSIONS	THIRD ANGLE PROJECTION	DRAWING	SERIES	DOC PART
		A2-SIZE	93052	000
		SEE CHARTS	GENERAL MARKET	REVISION
				B
				SHEET NUMBER
				1 OF 9

2 CIRCUIT							
MOLEX PART NO.	HOUSING NO.	COLOUR	POSITION KEYS	CODING KEYS	LATCH POSITION	CONFIGURATION	REF
93052-0001	90833-9001	NATURAL	1a 1b 2a 2b	01c d20	1/2		K00
93052-0002	90833-9002	BLUE	1a 1b 2a 2b	01c d20	1/2		K00
93052-0003	90833-9001	NATURAL	1b 2a	01c d20	1/2		K01
93052-0004	90833-9001	NATURAL	1a 2b	01c	1/2		K02
93052-0005	90833-9002	BLUE	2a	01c d20	1/2		K03
93052-0006	90833-9003	GREY	1a 2b	d20	1/2		K05
93052-0007	90833-9001	NATURAL	1b 2b	01c	1/2		K09
93052-0008	90833-9004	YELLOW	1b 2b	01c	1/2		K09
93052-0009	90833-9001	NATURAL	1a 2a	01c	1/2		K10
93052-0010	90833-9004	YELLOW	1a 2a	01c	1/2		K10
93052-0011	90833-9002	BLUE	1a	01c d20	1/2		K12
93052-0012	90833-9001	NATURAL	1b 2a	01c	1/2		K14
93052-0013	90833-9001	NATURAL	1a 1b 2a 2b	01c	1/2		K33
93052-0014	90833-9004	YELLOW	1a 1b 2a 2b	01c	1/2		K33
93052-0015	90833-9003	GREY	1a 1b 2a 2b	d20	1/2		K34
93052-0016	90833-9003	GREY	1b 2b	d20	1/2		K35
93052-0017	90833-9003	GREY	2a 2b	d20	1/2		K39
93052-0018	90833-9001	NATURAL	2a	01c d20	1/2		K03
93052-0019	90833-9001	NATURAL	1a 2b	d20	1/2		K05
93052-0020	90833-9001	NATURAL	1a 1b	01c	1/2		K04
93052-0021	90833-9001	NATURAL	1b	01c d20	1/2		K16
93052-0022	90833-9001	NATURAL	1a 2b	NONE	1/2		K06
93052-0025	90833-9005	GREEN	1a 2b	d20	1/2		K05
93052-0026	90833-9005	GREEN	1a 2b	01c	1/2		K02
93052-0027	90833-9004	YELLOW	2b	NONE	1/2		K11

2 CIRCUIT							
MOLEX PART NO.	HOUSING NO.	COLOUR	POSITION KEYS	CODING KEYS	LATCH POSITION	CONFIGURATION	REF
93052-0028	90833-9001	NATURAL	2a	d20	1/2		K37
93052-0032	90833-9001	NATURAL	2b	d20	1/2		K38
93052-0047	90833-9001	NATURAL	1a 2a	01c d20	1/2		K44
93052-0048	90833-9005	GREEN	1a 1b 2a 2b	01c	1/2		K33
93052-0050	90833-9004	YELLOW	1a 2b	01c	1/2		K02
93052-0051	90833-9004	YELLOW	1b 2a	01c d20	1/2		K01
93052-0052	90833-9004	YELLOW	1b 2a	01c	1/2		K14
93052-0053	90833-9004	YELLOW	2a	01c d20	1/2		K03
93052-0054	90833-9001	NATURAL	2b	01c d20	1/2		K15
93052-0056	90833-9001	NATURAL	1b 2a 2b	d20	1/2		K07
93052-0057	90833-9001	NATURAL	1a	01c d20	1/2		K12
93052-0058	90833-9001	NATURAL	1a 1b	01c d20	1/2		K47
93052-0059	90833-9006	WHITE	1a 1b 2a 2b	d20	1/2		K34
93052-0060	90833-9002	BLUE	1a 2b	01c d20	1/2		K48
93052-0061	90833-9004	YELLOW	1a	01c d20	1/2		K12
93052-0062	90833-9001	NATURAL	2b	NONE	1/2		K11
93052-0063	90833-9002	BLUE	1b	01c d20	1/2		K16
93052-0064	90833-9006	WHITE	1b 2a	d20	1/2		K46
93052-0066	90833-9001	NATURAL	1a 1b	01c	1/2		K04
93052-0069	90833-9001	NATURAL	1b 2b	d20	1/2		K35

TABLE CONTINUED ON NEXT SHEET

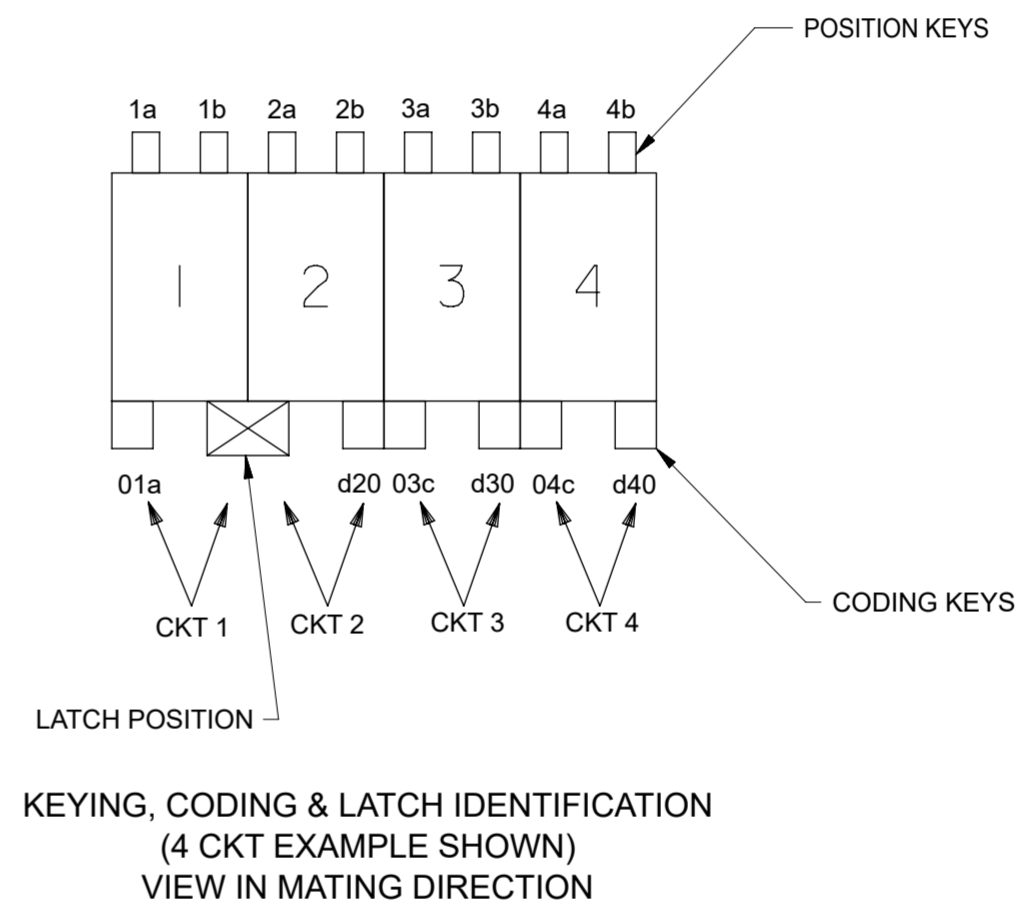
PENDING APPROVAL



KEYING, CODING & LATCH IDENTIFICATION  
(4 CKT EXAMPLE SHOWN)  
VIEW IN MATING DIRECTION

THIS DRAWING CONTAINS INFORMATION THAT IS PROPRIETARY TO MOLEX ELECTRONIC TECHNOLOGIES, LLC AND SHOULD NOT BE USED WITHOUT WRITTEN PERMISSION									
DIMENSION UNITS		SCALE		CURRENT REV DESC:					
mm		1:1		EC NO: 628634					
GENERAL TOLERANCES (UNLESS SPECIFIED)				DRWN: AKABADI 2019/11/21					
ANGULAR TOL ± 0.5°				CHK'D:					
4 PLACES ±				APPR:					
3 PLACES ± 0.05				INITIAL REVISION:					
2 PLACES ± 0.1				DRWN: AKABADI 2016/10/28					
1 PLACE ± 0.2				APPR: BRUTTLE 2016/11/16					
0 PLACES ±				DRAFT WHERE APPLICABLE MUST REMAIN WITHIN DIMENSIONS		THIRD ANGLE PROJECTION		DRAWING	
SERIES		MATERIAL NUMBER		CUSTOMER		DOCUMENT NUMBER		DOC TYPE   DOC PART   REVISION	
A2-SIZE		93052		SEE CHARTS		GENERAL MARKET		930520001   PSD   000   B	
SHEET NUMBER		2 OF 9							

2 CIRCUIT							
MOLEX PART NO.	HOUSING NO.	COLOUR	POSITION KEYS	CODING KEYS	LATCH POSITION	CONFIGURATION	REF
93052-0070	90833-9001	NATURAL	1a 1b	d20	1/2		K13
93052-0071	90833-9001	NATURAL	2a 2b	01c	1/2		K32
93052-0072	90833-9001	NATURAL	2a 2b	d20	1/2		K39
93052-0073	90833-9001	NATURAL	1b 2a	d20	1/2		K46
93052-0074	90833-9001	NATURAL	1a 1b 2a 2b	d20	1/2		K34
93052-0075	90833-9003	GREY	1a 1b	d20	1/2		K13
93052-0076	90833-9001	NATURAL	1a 1b 2a 2b	NONE	1/2		K41
93052-0077	90833-9003	GREY	1a 1b 2a 2b	NONE	1/2		K41
93052-0078	90833-9005	GREEN	1a 1b 2a 2b	01c	1/2		K33
93052-0079	90833-9004	YELLOW	1a 1b 2a 2b	01c	1/2		K33



PENDING APPROVAL

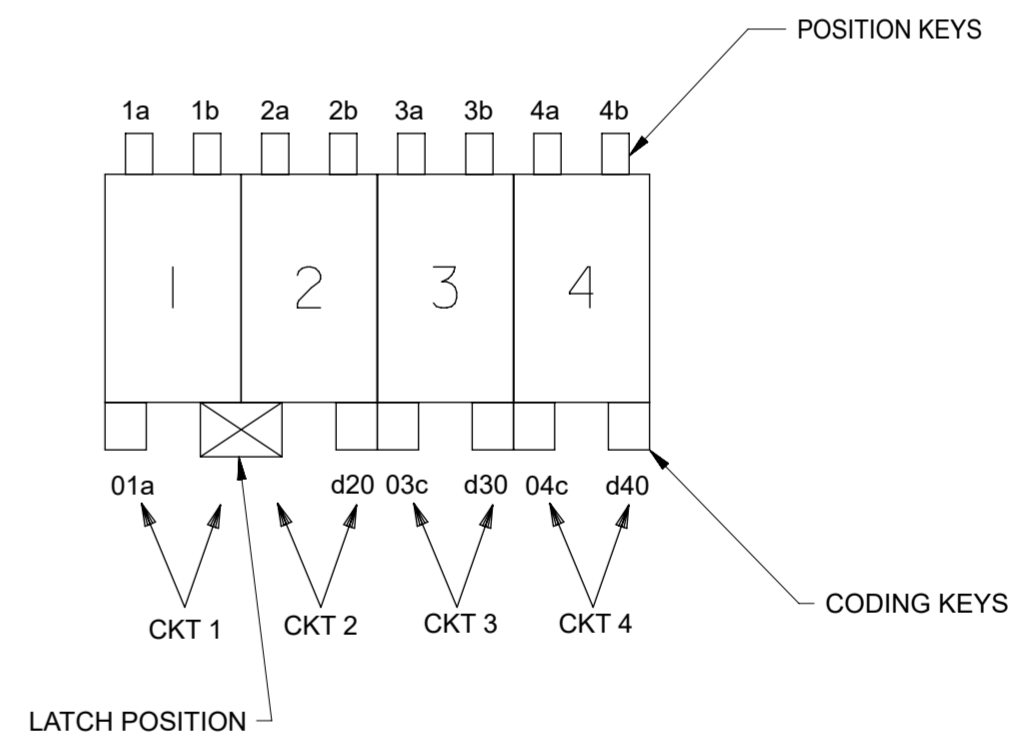
THIS DRAWING CONTAINS INFORMATION THAT IS PROPRIETARY TO MOLEX ELECTRONIC TECHNOLOGIES, LLC AND SHOULD NOT BE USED WITHOUT WRITTEN PERMISSION										
DIMENSION UNITS <b>mm</b>	SCALE <b>1:1</b>	CURRENT REV DESC:			<b>molex</b>					
GENERAL TOLERANCES (UNLESS SPECIFIED)		EC NO: 628634								
ANGULAR TOL ± 0.5°	4 PLACES ±	DRWN: AKABADI 2019/11/21			5MM APPLI-MATE 6A/10A					
3 PLACES ± 0.05	2 PLACES ± 0.1	CHK'D:			PRODUCT CUSTOMER DRAWING					
1 PLACE ± 0.2	0 PLACES ±	APPR:			DOCUMENT NUMBER					
DRAFT WHERE APPLICABLE MUST REMAIN WITHIN DIMENSIONS		THIRD ANGLE PROJECTION		DRAWING	SERIES	MATERIAL NUMBER	CUSTOMER	DOC TYPE	DOC PART	REVISION
				<b>A2-SIZE</b>	<b>93052</b>	<b>SEE CHARTS</b>	<b>GENERAL MARKET</b>	<b>PSD</b>	<b>000</b>	<b>B</b>

DOCUMENT STATUS	RQ	RELEASE DATE	
-----------------	----	--------------	--

3 CIRCUIT							
MOLEX PART NO.	HOUSING NO.	COLOUR	POSITION KEYS	CODING KEYS	LATCH POSITION	CONFIGURATION	REF
93052-0500	90833-9021	NATURAL	1a 1b 2a 2b 3a 3b	01c d20 03c d30	1/2		K00
93052-0501	90833-9022	NATURAL	1a 1b 2a 2b 3a 3b	01c d20 02c d30	2/3		K90
93052-0502	90833-9021	NATURAL	1b	01c d20	1/2		K01
93052-0503	90833-9023	YELLOW	1a 1b 2a 2b 3a 3b	d20	1/2		K40
93052-0504	90833-9026	GREY	1a 1b 2a 2b 3a 3b	d10	2/3		K41
93052-0505	90833-9026	GREY	1a 2a	d10	2/3		K42
93052-0506	90833-9023	YELLOW	1a 3a	d20	1/2		K43
93052-0507	90833-9024	YELLOW	2a	d10 d30	2/3		K44
93052-0508	90833-9021	NATURAL	1a	03c	1/2		K04
93052-0509	90833-9026	GREY	1a 1b	d10	2/3		K52
93052-0510	90833-9023	YELLOW	1a 1b	d20	1/2		K53
93052-0511	90833-9021	NATURAL	1a 1b	d30	1/2		K05
93052-0513	90833-9021	NATURAL	1b	d20 03c	1/2		K09
93052-0524	90833-9021	NATURAL	1b 2a 2b	d30	1/2		K33
93052-0525	90833-9022	NATURAL	1a 1b 2a 2b 3a 3b	d10 d30	2/3		K38
93052-0528	90833-9021	NATURAL	1a 3a	01c	1/2		K07
93052-0529	90833-9021	NATURAL	1b 3a	01c	1/2		K03
93052-0530	90833-9022	NATURAL	2a	02c d30	2/3		K57
93052-0531	90833-9021	NATURAL	2b	d20	1/2		K08
93052-0532	90833-9027	BLACK	1a 3a	d20	1/2		K43
93052-0533	90833-9025	GREY	1b 3a	01c	1/2		K03
93052-0534	90833-9022	NATURAL	1a 1b 2a 3a	01c 02c d30	2/3		K12
93052-0535	90833-9022	NATURAL	1a 2a	d30	2/3		N/A
93052-0536	90833-9022	NATURAL	2a	d10 d30	2/3		K44
93052-0537	90833-9028	BLUE	1a	03c	1/2		N/A

3 CIRCUIT							
MOLEX PART NO.	HOUSING NO.	COLOUR	POSITION KEYS	CODING KEYS	LATCH POSITION	CONFIGURATION	REF
93052-0540	90833-9021	NATURAL	3b	01c d30	1/2		K37
93052-0541	90833-9022	NATURAL	2b 3b	d10 02c	2/3		K02
93052-0542	90833-9021	NATURAL	1a 3a	01c	1/2		N/A
93052-0543	90833-9021	NATURAL	1a 3a	03c	1/2		K98
93052-0544	90833-9021	NATURAL	1a 1b 2a 2b 3a 3b	d20	1/2		K40
93052-0545	90833-9022	NATURAL	2a	d10 d30	2/3		K44
93052-0546	90833-9021	NATURAL	1a 1b 2a 2b 3a 3b	01c d20 03c	1/2		K94
93052-0547	90833-9028	BLUE	1a 1b 2a 2b 3a 3b	01c d20 03c	1/2		K94
93052-0548	90833-9028	BLUE	1a	01c d20 03c	1/2		K192
93052-0549	90833-9026	GREY	1b 3b	d10	2/3		K---
93052-0550	90833-9028	BLUE	1a 1b 2a 2b 3a 3b	01c d20 03c d30	1/2		K00

PENDING APPROVAL



KEYING, CODING & LATCH IDENTIFICATION  
(4 CKT EXAMPLE SHOWN)  
VIEW IN MATING DIRECTION

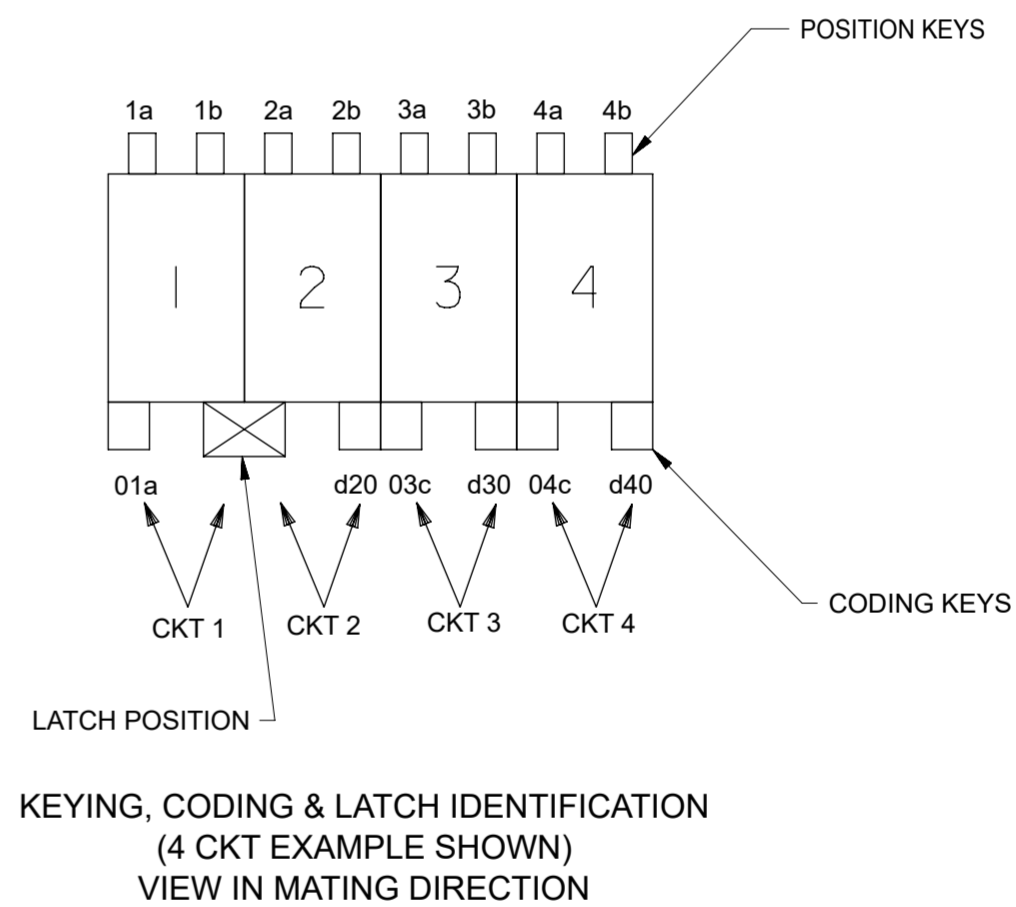
THIS DRAWING CONTAINS INFORMATION THAT IS PROPRIETARY TO MOLEX ELECTRONIC TECHNOLOGIES, LLC AND SHOULD NOT BE USED WITHOUT WRITTEN PERMISSION

DIMENSION UNITS <b>mm</b>	SCALE <b>1:1</b>	CURRENT REV DESC:	<b>molex</b>		
GENERAL TOLERANCES (UNLESS SPECIFIED)		EC NO: 628634			
ANGULAR TOL ± 0.5°	4 PLACES ±	DRWN: AKABADI	2019/11/21		
3 PLACES ± 0.05	2 PLACES ± 0.1	CHK'D:	PRODUCT CUSTOMER DRAWING		
1 PLACE ± 0.2	0 PLACES ±	APPR:	DOCUMENT NUMBER		
DRAFT WHERE APPLICABLE MUST REMAIN WITHIN DIMENSIONS	THIRD ANGLE PROJECTION	INITIAL REVISION:	930520001		
	DRAWING	DRWN: AKABADI	DOC TYPE		
	SERIES	APPR: BRUTTLE	PSD		
	MATERIAL NUMBER	2016/10/28	DOC PART		
	CUSTOMER	2016/11/16	000		
	SHEET NUMBER		B		
			4 OF 9		

DOCUMENT STATUS	RQ	RELEASE DATE
-----------------	----	--------------

# 4 CIRCUIT

MOLEX PART NO.	HOUSING NO.	COLOUR	POSITION KEYS	CODING KEYS	LATCH POSITION	CONFIGURATION	REF
93052-1251	90833-9101	NATURAL	1a 1b 2a 2b 3a 3b 4a 4b	01c d20 03c d40	1/2 3/4		K00
93052-1252	90833-9103	BLUE	1a 1b 2a 2b 3a 3b 4a 4b	01c d20 03c d40	1/2 3/4		K00
93052-1253	90833-9102	YELLOW	1a 1b 2a 2b 3a 3b 4a 4b	01c d20 03c d40	1/2 3/4		K00
93052-1254	90833-9101	NATURAL	1b	03c d40	1/2 3/4		K01
93052-1255	90833-9102	YELLOW	3a	d20 03c	1/2 3/4		K33
93052-1256	90833-9103	BLUE	1a 1b 2a 2b 3a 3b 4a 4b	01c	1/2 3/4		K34
93052-1257	90833-9101	NATURAL	1a 1b 2a 2b 3a 3b 4a 4b	d20 03c	1/2 3/4		K35
93052-1258	90833-9103	BLUE	1a 1b 2a 2b 3a 3b 4a 4b	d40	1/2 3/4		K36
93052-1259	90833-9101	NATURAL	1b	d20 03c	1/2 3/4		K38
93052-1260	90833-9103	BLUE	1b 2a	d40	1/2 3/4		K39
93052-1261	90833-9103	BLUE	1b 3b	d40	1/2 3/4		K49
93052-1262	90833-9103	BLUE	1b 3b	01c	1/2 3/4		K54
93052-1264	90833-9101	NATURAL	1a 4b	d40	1/2 3/4		K03
93052-1267	90833-9101	NATURAL	1b 2a 3a 4b	01c d40	1/2 3/4		K37
93052-1271	90833-9104	ORANGE	1a 3a	d40	1/2 3/4		K06
93052-1272	90833-9105	GREY	1b	03c d40	1/2 3/4		K01
93052-1273	90833-9101	NATURAL	1a 3a 3b	01c d20 d40	1/2 3/4		K32
93052-1276	90833-9106	NATURAL	3b	d30	2/3		K04
93052-1277	90833-9102	YELLOW	1a 2b 4b	d40	1/2 3/4		K62
93052-1279	90833-9101	NATURAL	1a 4b	01c	1/2 3/4		K02
93052-1282	90833-9101	NATURAL	1a 2a 4a	01c 03c d40	1/2 3/4		K43
93052-1283	90833-9101	NATURAL	1a 1b 3a 3b	01c 03c	1/2 3/4		K93
93052-1284	90833-9101	NATURAL	1a 3a	01c d40	1/2 3/4		K87



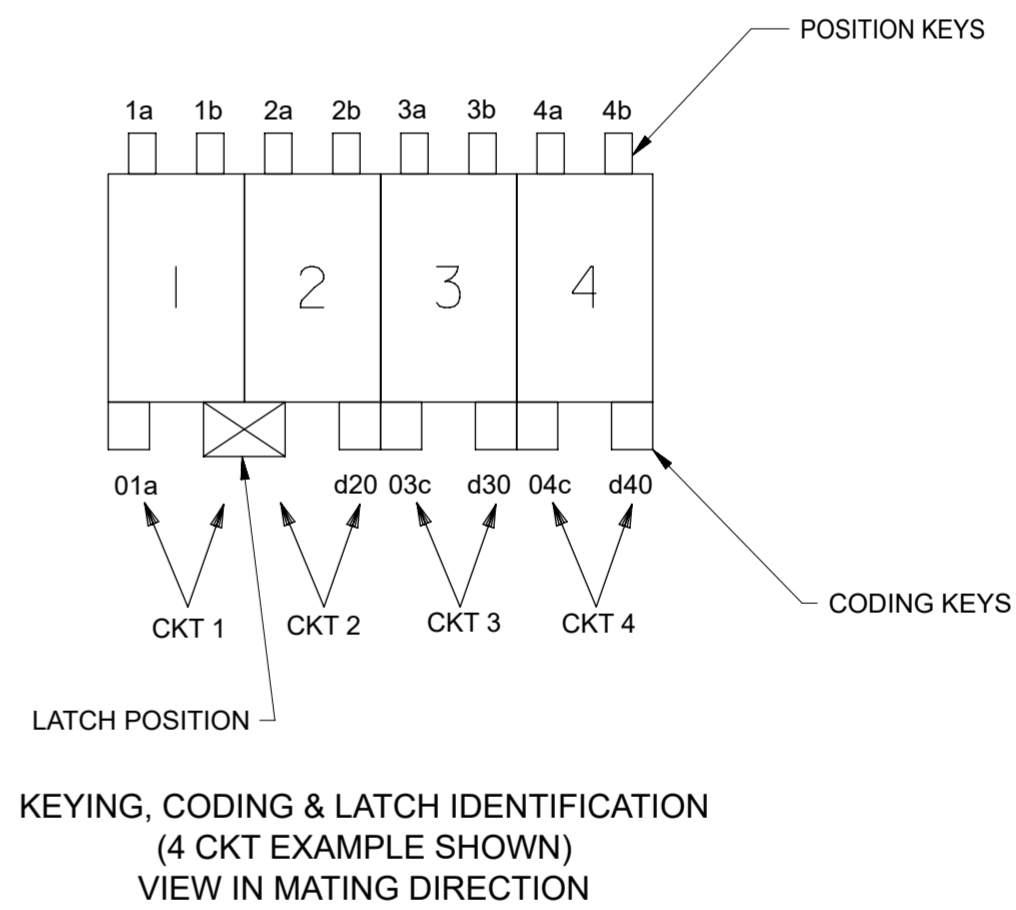
PENDING APPROVAL

THIS DRAWING CONTAINS INFORMATION THAT IS PROPRIETARY TO MOLEX ELECTRONIC TECHNOLOGIES, LLC AND SHOULD NOT BE USED WITHOUT WRITTEN PERMISSION

DIMENSION UNITS <b>mm</b>	SCALE <b>1:1</b>	CURRENT REV DESC:	<b>molex</b>		
GENERAL TOLERANCES (UNLESS SPECIFIED)		EC NO: 628634			
ANGULAR TOL ± 0.5°	4 PLACES ±	DRWN: AKABADI	2019/11/21		
3 PLACES ± 0.05	2 PLACES ± 0.1	CHK'D:	PRODUCT CUSTOMER DRAWING		
1 PLACE ± 0.2	0 PLACES ±	APPR:	DOCUMENT NUMBER		
DRAFT WHERE APPLICABLE MUST REMAIN WITHIN DIMENSIONS	THIRD ANGLE PROJECTION	INITIAL REVISION:	930520001		
	DRAWING	DRWN: AKABADI	DOC TYPE	DOC PART	
	SERIES	APPR: BRUTTLE	PSD	000	
	MATERIAL NUMBER	2016/10/28	REVISION		
	CUSTOMER	2016/11/16	B		
	SHEET NUMBER		5 OF 9		

DOCUMENT STATUS	RQ	RELEASE DATE
-----------------	----	--------------

5 CIRCUIT							
MOLEX PART NO.	HOUSING NO.	COLOUR	POSITION KEYS	CODING KEYS	LATCH POSITION	CONFIGURATION	REF
93052-2001	90833-9203	NATURAL	1a 3a	01c d30	1/2 4/5		K30
93052-2002	90833-9201	NATURAL	1a 5b	01c d20 03c d50	1/2 3/4		K31
93052-2006	90833-9202	NATURAL	2a	01c d50	2/3 4/5		K43
93052-2007	90833-9202	NATURAL	1a 1b 2a 2b 3a 3b 4a 4b 5a 5b	01c d50	2/3 4/5		K42
93052-2008	90833-9202	NATURAL	1a 1b 2a 2b 3a 3b 4a 4b 5a 5b	01c d10 02c d30 04c d50	2/3 4/5		K92
93052-2010	90833-9201	NATURAL	1a 1b 2a 2b 3a 3b 4a 4b 5a 5b	01c d20 03c d40 05c d50	1/2 3/4		K00
93052-2011	90833-9203	NATURAL	1a 1b 2a 2b 3a 3b 4a 4b 5a 5b	01c d20 03c d30 04c d50	1/2 4/5		K90
93052-2012	90833-9201	NATURAL	2a 4b	01c d20 d40	1/2 3/4		K44
93052-2019	90833-9203	NATURAL	1a 3a	01c d30 d50	1/2 4/5		K49
93052-2023	90833-9204	BLUE	NONE	d20 d40	1/2 3/4		K75
93052-2024	90833-9202	NATURAL	2a	01c d50	2/3 4/5		K43
93052-2025	90833-9201	NATURAL	NONE	01c d40	1/2 3/4		N/A
93052-2026	90833-9205	GREEN	2b	d20 d50	1/2 3/4		N/A
93052-2027	90833-9201	NATURAL	1a 5b	01c d20 03c d50	1/2 3/4		K31
93052-2028	90833-9203	NATURAL	1a 4a	d30	1/2 4/5		K04
93052-2029	90833-9206	NATURAL	1a 3a	01c d50	1/2		N/A

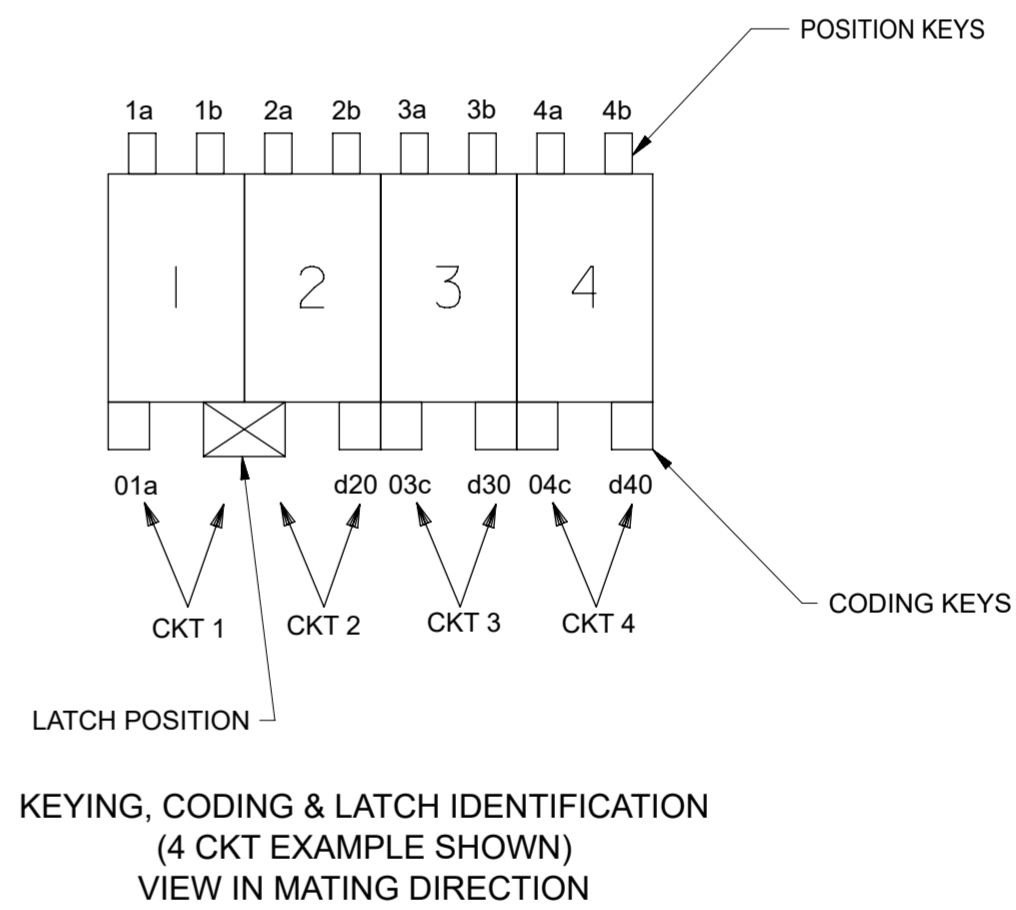


PENDING APPROVAL

THIS DRAWING CONTAINS INFORMATION THAT IS PROPRIETARY TO MOLEX ELECTRONIC TECHNOLOGIES, LLC AND SHOULD NOT BE USED WITHOUT WRITTEN PERMISSION									
DIMENSION UNITS <b>mm</b>		SCALE <b>1:1</b>		CURRENT REV DESC:				<b>molex</b>	
GENERAL TOLERANCES (UNLESS SPECIFIED)				EC NO: 628634					
ANGULAR TOL ± 0.5°		4 PLACES ±		DRWN: AKABADI		2019/11/21		5MM APPLI-MATE 6A/10A	
3 PLACES ± 0.05		2 PLACES ± 0.1		CHK'D:		APPR:		PRODUCT CUSTOMER DRAWING	
1 PLACE ± 0.2		0 PLACES ±		INITIAL REVISION:		2016/10/28		DOCUMENT NUMBER	
DRAFT WHERE APPLICABLE MUST REMAIN WITHIN DIMENSIONS		THIRD ANGLE PROJECTION		DRAWING		SERIES		MATERIAL NUMBER	
				A2-SIZE		93052		930520001	
				SEE CHARTS		GENERAL MARKET		DOC TYPE DOC PART REVISION	
								PSD 000 B	
								SHEET NUMBER	
								6 OF 9	

DOCUMENT STATUS	RQ	RELEASE DATE
-----------------	----	--------------

6 CIRCUIT							
MOLEX PART NO.	HOUSING NO.	COLOUR	POSITION KEYS	CODING KEYS	LATCH POSITION	CONFIGURATION	REF
93052-2750	90833-9301	NATURAL	1a 1b 2a 2b 3a 3b 4a 4b 5a 5b 6a 6b	01c d10 02c d30 04c d50 06c d60	2/3 4/5		K90
93052-2751	90833-9302	GREY	1a 1b 2a 2b 3a 3b 4a 4b 5a 5b 6a 6b	02c d50	2/3 4/5		K38
93052-2752	90833-9302	GREY	1b	02c d50	2/3 4/5		K40
93052-2764	90833-9303	NATURAL	1a 1b 2a 2b 3a 3b 4a 4b 5a 5b 6a 6b	01c d20 03c d30 04c d40 05c d60	1/2 5/6		K53
93052-2765	90833-9303	NATURAL	1b	03c d60	1/2 5/6		K91
93052-2773	90833-9303	NATURAL	5b	01c d40	1/2 5/6		K61
93052-2776	90833-9303	NATURAL	1b 6a	d30	1/2 5/6		N/A
93052-2777	90833-9303	NATURAL	2b 6b	d40	1/2 5/6		K04
93052-2778	90833-9304	BLUE	1b	d10 d50	2/3 4/5		K88
93052-2779	90833-9305	NATURAL	5b	02c 06c	3/4		N/A
93052-2780	90833-9306	NATURAL	1b 2a	d20 03c d60	1/2 4/5		N/A
93052-2781	90833-9303	NATURAL	NONE	d20 d60	1/2 5/6		K108



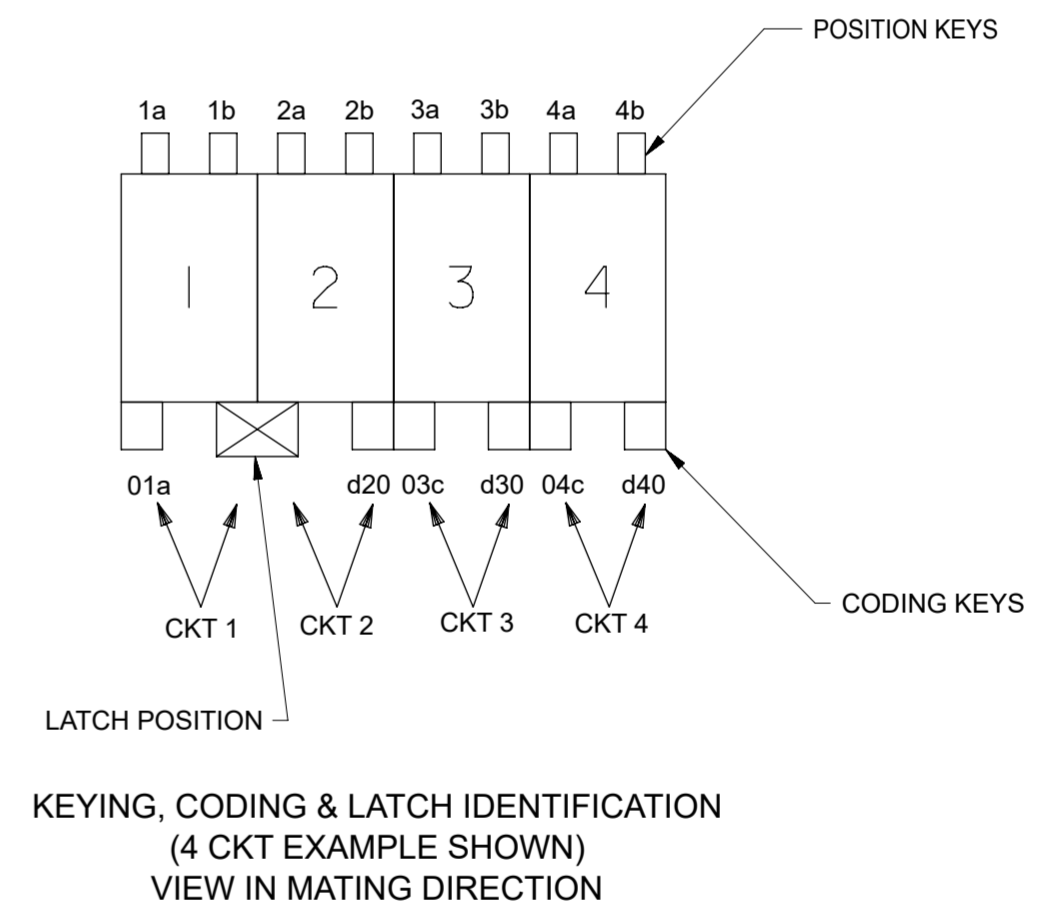
PENDING APPROVAL

THIS DRAWING CONTAINS INFORMATION THAT IS PROPRIETARY TO MOLEX ELECTRONIC TECHNOLOGIES, LLC AND SHOULD NOT BE USED WITHOUT WRITTEN PERMISSION									
DIMENSION UNITS	SCALE	CURRENT REV DESC:							
mm	1:1								
GENERAL TOLERANCES (UNLESS SPECIFIED)		EC NO: 628634			5MM APPLI-MATE 6A/10A				
ANGULAR TOL ± 0.5°		DRWN: AKABADI 2019/11/21							
4 PLACES ±		CHK'D:			PRODUCT CUSTOMER DRAWING				
3 PLACES ± 0.05		APPR:							
2 PLACES ± 0.1		INITIAL REVISION:			DOCUMENT NUMBER				
1 PLACE ± 0.2		DRWN: AKABADI 2016/10/28							
0 PLACES ±		APPR: BRUTTLE 2016/11/16			930520001 PSD 000 B				
DRAFT WHERE APPLICABLE MUST REMAIN WITHIN DIMENSIONS		THIRD ANGLE PROJECTION	DRAWING	SERIES					
			A2-SIZE	93052	SEE CHARTS	GENERAL MARKET	7 OF 9		

DOCUMENT STATUS	RQ	RELEASE DATE	
-----------------	----	--------------	--

7 CIRCUIT							
MOLEX PART NO.	HOUSING NO.	COLOUR	POSITION KEYS	CODING KEYS	LATCH POSITION	CONFIGURATION	REF
93052-3500	90833-9401	YELLOW	2b	d20 d60	1/2 5/6		K32
93052-3501	90833-9401	YELLOW	1a 1b 2a 2b 3a 3b 4a 4b 5a 5b 6a 6b 7a 7b	d20 d60	1/2 5/6		K33
93052-3502	90833-9401	YELLOW	1a 1b 2a 2b 3a 3b 4a 4b 5a 5b 6a 6b 7a 7b	d20 07c	1/2 5/6		K36
93052-3503	90833-9401	YELLOW	2b	d20 07c	1/2 5/6		K37
93052-3513	90833-9402	NATURAL	1a 1b 2a 2b 3a 3b 4a 4b 5a 5b 6a 6b 7a 7b	01c d20 03c d30 04c d40 05c d60 07c d70	1/2 5/6		K00
93052-3514	90833-9402	NATURAL	NONE	d20	1/2 5/6		K44
93052-3518	90833-9403	NATURAL	1a 1b 2a 2b 3a 3b 4a 4b 5a 5b 6a 6b 7a 7b	01c d10 02c d30 04c d40 05c d50 06c d70	2/3 6/7		K90
93052-3520	90833-9403	NATURAL	1a 1b 2a 2b 3a 3b 4a 4b 5a 5b 6a 6b 7a 7b	02c d50	2/3 6/7		K49
93052-3521	90833-9402	NATURAL	2b	d20 07c	1/2 5/6		K37
93052-3522	90833-9404	NATURAL	NONE	d20 03c 07c	5/6		N/A
93052-3523	90833-9405	NATURAL	1a 6b	03c 07c	4/5		N/A
93052-3524	90833-9402	NATURAL	1a 1b 2a 3a 4b 5b 6a 6b 7b	d20 07c	1/2 5/6		N/A

8 CIRCUIT							
MOLEX PART NO.	HOUSING NO.	COLOUR	POSITION KEYS	CODING KEYS	LATCH POSITION	CONFIGURATION	REF
93052-4250	90833-9501	NATURAL	1a 1b 2a 2b 3a 3b 4a 4b 5a 5b 6a 6b 7a 7b 8a 8b	01c d10 02c d20 03c d40 05c d60 07c d70 08c d80	3/4 5/6		K00
93052-4251	90833-9501	NATURAL	1b 3a 3b 5a 5b 7a 8a	01c d20 03c 05c 07c	3/4 5/6		K36
93052-4254	90833-9502	NATURAL	2b 8a	03c d60	1/2 7/8		N/A
93052-4255	90833-9502	NATURAL	1a 1b 2a 2b 3a 3b 4a 4b 5a 5b 6a 6b 7a 7b 8a 8b	03c d60	1/2 7/8		K39
93052-4256	90833-9502	NATURAL	1a 1b 2a 2b 3a 3b 4a 4b 5a 5b 6a 6b 7a 7b 8a 8b	01c d20 03c d30 04c d40 05c d50 06c d60 07c d80	1/2 7/8		K90
93052-4261	90833-9503	BLUE	1a 1b 2a 2b 3a 3b 4a 4b 5a 5b 6a 6b 7a 7b 8a 8b	03c d60	1/2 7/8		K39
93052-4264	90833-9504	NATURAL	8b	02c d30 07c	2/3 7/8		N/A
93052-4266	90833-9502	NATURAL	2b 8a	03c 06c	1/2 7/8		K40



PENDING APPROVAL

THIS DRAWING CONTAINS INFORMATION THAT IS PROPRIETARY TO MOLEX ELECTRONIC TECHNOLOGIES, LLC AND SHOULD NOT BE USED WITHOUT WRITTEN PERMISSION

DIMENSION UNITS <b>mm</b>	SCALE <b>1:1</b>	CURRENT REV DESC:	<b>molex</b>		
GENERAL TOLERANCES (UNLESS SPECIFIED)		EC NO: 628634			
ANGULAR TOL ± 0.5°		DRWN: AKABADI	2019/11/21		
4 PLACES ±		CHK'D:	PRODUCT CUSTOMER DRAWING		
3 PLACES ± 0.05		APPR:	DOCUMENT NUMBER		
2 PLACES ± 0.1		INITIAL REVISION:	930520001		
1 PLACE ± 0.2		DRWN: AKABADI	DOC TYPE	DOC PART	REVISION
0 PLACES ±		APPR: BRUTTLE	PSD	000	B
DRAFT WHERE APPLICABLE MUST REMAIN WITHIN DIMENSIONS	THIRD ANGLE PROJECTION	DRAWING	MATERIAL NUMBER	CUSTOMER	SHEET NUMBER
		A2-SIZE	SEE CHARTS	GENERAL MARKET	8 OF 9
		SERIES			
		93052			

DOCUMENT STATUS	RQ	RELEASE DATE



### 9 CIRCUIT

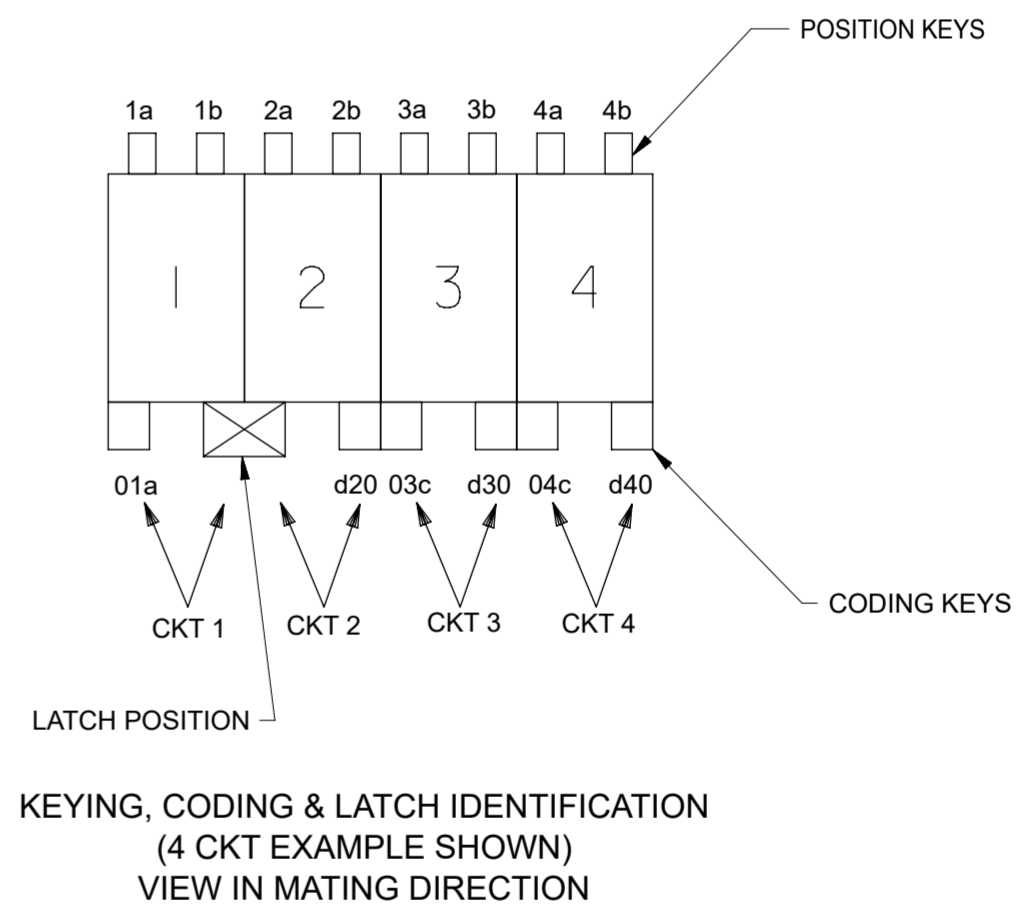
MOLEX PART NO.	HOUSING NO.	COLOUR	POSITION KEYS	CODING KEYS	LATCH POSITION	CONFIGURATION	REF
93052-5000	90833-9601	NATURAL	1a 1b 2a 2b 3a 3b 4a 4b 5a 5b 6a 6b 7a 7b 8a 8b 9a 9b	01c d10 02c d20 03c d40 05c d50 06c d70 08c d80 09c d90	3/4 6/7		K00
93052-5001	90833-9601	NATURAL	1b 2a 3a 5a 6a 7b 8b	01c 03c d70 08c d90	3/4 6/7		K34
93052-5010	90833-9603	NATURAL	2b 5a	d80	2/3 7/8		K03
93052-5012	90833-9602	NATURAL	1b	03c	5/6		N/A

### 12 CIRCUIT

MOLEX PART NO.	HOUSING NO.	COLOUR	POSITION KEYS	CODING KEYS	LATCH POSITION	CONFIGURATION	REF
93052-8000	90833-9901	NATURAL	1a 1b 2a 2b 3a 3b 4a 4b 5a 5b 6a 6b 7a 7b 8a 8b 9a 9b 10a 10b 11a 11b 12a 12b	01c d10 02c d20 03c d40 05c d50 06c d60 07c d70 08c d80 09c d100 11c d110 12c d120	3/4 9/10		K00
93052-8001	90833-9901	NATURAL	1a 2a 4a 4b 5a 6b 8a 11a	01c 03c 05c 07c d80 d100 11c	3/4 9/10		K41

### 10 CIRCUIT

MOLEX PART NO.	HOUSING NO.	COLOUR	POSITION KEYS	CODING KEYS	LATCH POSITION	CONFIGURATION	REF
93052-6000	90833-9701	NATURAL	1a 1b 2a 2b 3a 3b 4a 4b 5a 5b 6a 6b 7a 7b 8a 8b 9a 9b 10a 10b	01c d10 02c d20 03c d40 05c d50 06c d60 07c d80 09c d90 10c d100	3/4 7/8		K00
93052-6001	90833-9701	NATURAL	1a 3b 7b 8a	01c d20 d40 05c d100	3/4 7/8		K34
93052-6005	90833-9702	NATURAL	1a 1b 2a 2b 3a 3b 4a 4b 5a 5b 6a 6b 7a 7b 8a 8b 9a 9b 10a 10b	01c d10 02c d20 03c d30 04c d50 06c d60 07c d80 09c d90 10c d100	4/5 7/8		K98
93052-6006	90833-9703	NATURAL	1a 1b 2a 2b 3a 3b 4a 4b 5a 5b 6a 6b 7a 7b 8a 8b 9a 9b 10a 10b	01c d10 02c d20 03c d30 04c d50 06c d70 08c d80 09c d90 10c d100	4/5 6/7		K99
93052-6007	90833-9702	NATURAL	1a 10b	07c	4/5 7/8		K39
93052-6008	90833-9703	NATURAL	1b 9a	06c	4/5 6/7		K40
93052-6023	90833-9704	NATURAL	1b	03c	5/6		N/A
93052-6024	90833-9704	NATURAL	4b 6b 8a 8b	d100	5/6		N/A
93052-6025	90833-9705	NATURAL	4b 6b 8a 8b	06c d100	NONE		N/A



PENDING APPROVAL

### 11 CIRCUIT

MOLEX PART NO.	HOUSING NO.	COLOUR	POSITION KEYS	CODING KEYS	LATCH POSITION	CONFIGURATION	REF
93052-7000	90833-9801	NATURAL	1a 1b 2a 2b 3a 3b 4a 4b 5a 5b 6a 6b 7a 7b 8a 8b 9a 9b 10a 10b 11a 11b	01c d10 02c d20 03c d40 05c d50 06c d60 07c d70 08c d90 10c d100 11c d110	3/4 8/9		K00
93052-7001	90833-9801	NATURAL	1a 2b 3b 4a 4b 5a 7a 8a 9a 10a 11a	01c d40 05c 08c 10c	3/4 8/9		K33

THIS DRAWING CONTAINS INFORMATION THAT IS PROPRIETARY TO MOLEX ELECTRONIC TECHNOLOGIES, LLC AND SHOULD NOT BE USED WITHOUT WRITTEN PERMISSION

DIMENSION UNITS <b>mm</b>	SCALE <b>1:1</b>	CURRENT REV DESC:	<b>molex</b>		
GENERAL TOLERANCES (UNLESS SPECIFIED)		EC NO: 628634			
ANGULAR TOL ± 0.5°	4 PLACES ±	DRWN: AKABADI	2019/11/21		
3 PLACES ± 0.05	2 PLACES ± 0.1	CHK'D:	PRODUCT CUSTOMER DRAWING		
1 PLACE ± 0.2	0 PLACES ±	APPR:	DOCUMENT NUMBER		
DRAFT WHERE APPLICABLE MUST REMAIN WITHIN DIMENSIONS	THIRD ANGLE PROJECTION	INITIAL REVISION:	DOC TYPE   DOC PART   REVISION		
		DRWN: AKABADI	2016/10/28		
		APPR: BRUTTLE	2016/11/16		
		DRAWING	SERIES	MATERIAL NUMBER	CUSTOMER
		<b>A2-SIZE</b>	<b>93052</b>	SEE CHARTS	GENERAL MARKET
					SHEET NUMBER
					<b>9 OF 9</b>