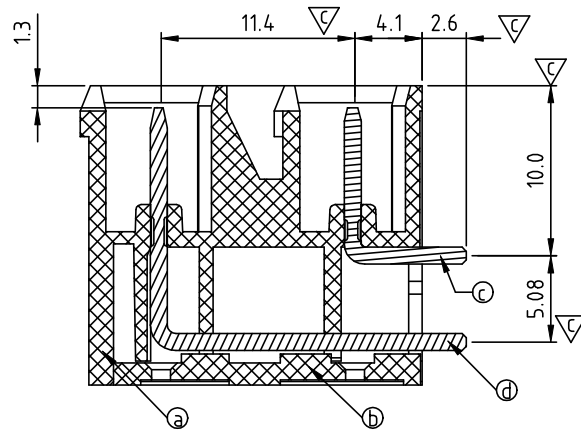
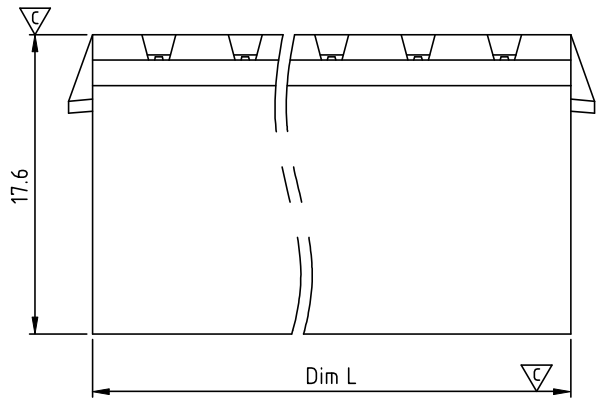
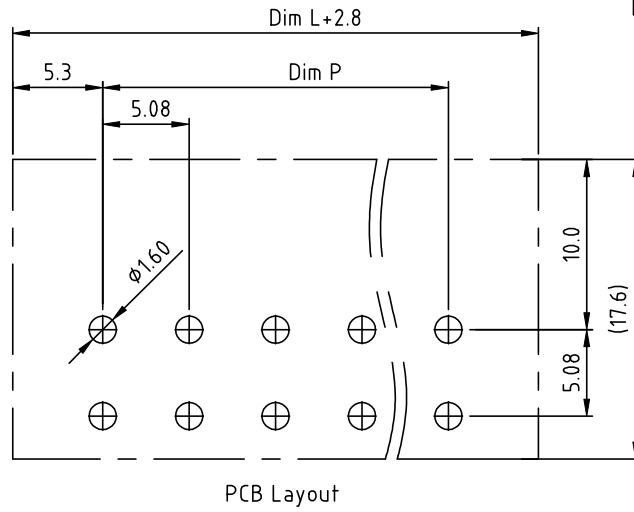
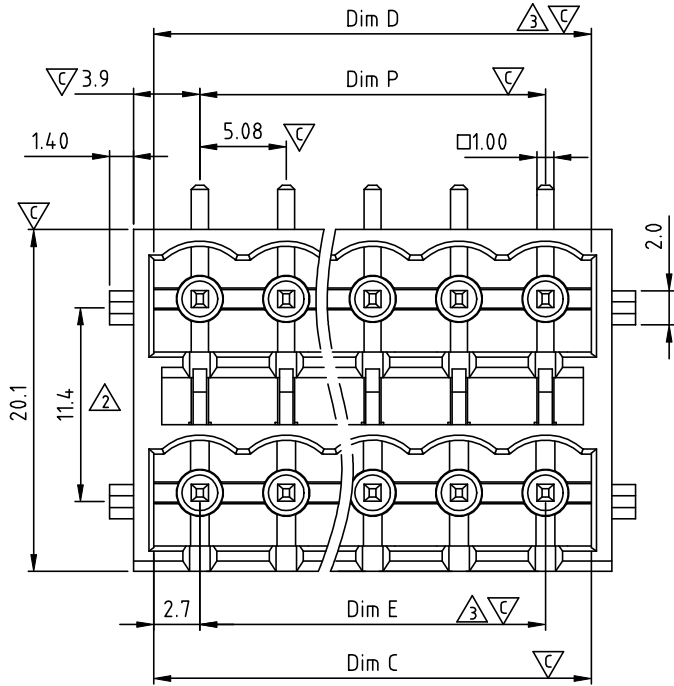


SIGN	DATE	DESCRIPTION	APPROVER
△	03/29'12	Add is cULus	Chen Bo
△	03/29'12	The dimension is changed from 11.40mm to 11.4mm	Chen Bo
△	03/29'12	The dimension D & E are added	Chen Bo

THIS IS CAD DRAWING, DO NOT REVISE MANUALLY!!!



Material:

- Item a Terminal(housing): Thermoplastic (UL94V-0)
- Item b Terminal(cover): Thermoplastic (UL94V-0)
- Item c Male contact pin of short: Copper Tin plated
- Item d Male contact pin of long: Copper Tin plated

Electrical: cULus

- Voltage rating: 300V
- Current rating: 12A
- Withstanding Voltage: 1.6KV
- Operating temperature: -40°C to +115°C
- Soldering temperature: 250°C ±10°C/5 Sec
- Safety Approval: cULus
- Critical dimension:

KE xx 5 3 x 3 xxxx G

No. OF POLES ————
 04: 2x2 POLES
 06: 2x3 POLES
 ———— G RoHS compliant (lead<4%)
 In copper Alloy

48: 2x24 POLES

COLOR ———— 0000: "@" Logo (Standard)
 000A: "ANYTEK" Mark
 Any special item by customer request.
 please contact sales department.

0 Black (RAL9005)
 2 Red (RAL3001/D)
 3 Orange(RAL2011/P)
 4 Yellow(RAL1018/A)
 5 Green(RAL6018/T)
 6 Blue (RAL5015/A)
 8 Grey(RAL7035/D)
 9 White(RAL1102)
 C Green(RAL6018/U)

Poles	Dim L	Dim P	Dim C	Dim D	Dim E
2x2-2x6p	±0.15	±0.15	+0.05 -0.05	+0.05 -0.05	±0.15
2x7-2x12p	±0.25	±0.25	+0.10 -0.05	+0.10 -0.05	±0.25
2x13-2x18p	±0.35	±0.35	+0.20 -0.05	+0.20 -0.05	±0.35
2x19-2x24p	±0.40	±0.40	+0.25 -0.10	+0.25 -0.10	±0.40

N = Number of poles
 Dim L=Nx5.08+2.72
 Dim P=(N-1)x5.08
 Dim C=(N-1)x5.08+5.4
 Dim D=(N-1)x5.08+5.4
 Dim E=(N-1)x5.08

ANYTEK

CUSTOMER COPY

ALL RIGHTS RESERVED. REPRODUCTION OR ISSUE TO THIRD PARTIES IN ANY FORM WHATSOEVER IS NOT PERMITTED WITHOUT WRITTEN AUTHORITY FROM THE PROPRIETOR. PROPERTY OF ANYTEK TECHNOLOGY CO., LTD

TITLE				KE 5.08mm With latch holder Series (Right angle) DIP TYPE			
PART NO.		KExx53x3xxxxG		DWG NO.		8KE0211	
APPROVED		CHECKED	DESIGNED	DRAWN	CUST NO.		Tolerance
		Chen Bo	Chen Bo	Chen Bo			X. ±0.50
		03/29'12	03/29'12	03/29'12			X.X ±0.30
				SHEET: 01/01		UNIT: mm	X.XX ±0.10
						SCALE: NONE	X° ±1°
						REV.: C	