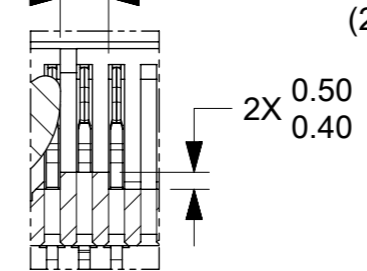


NOTES:

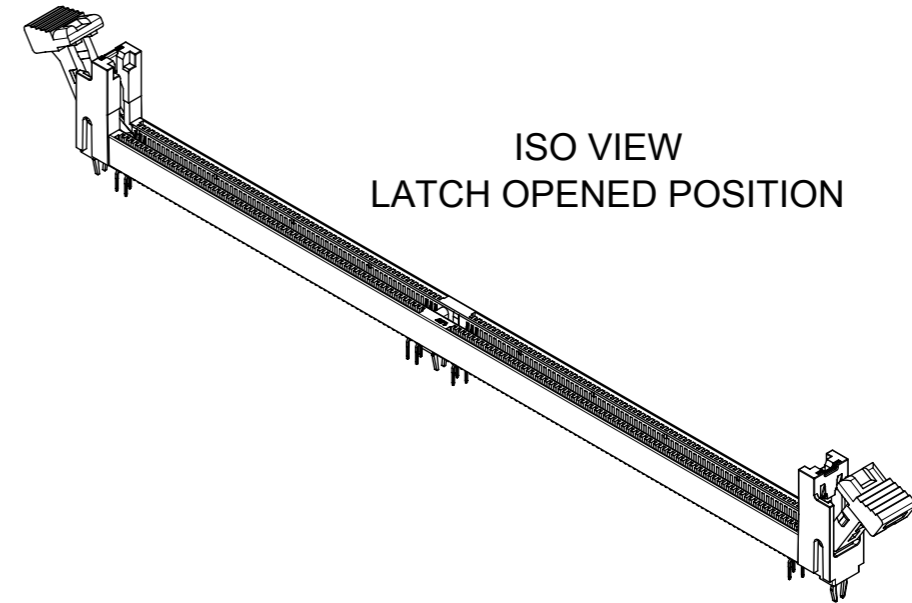
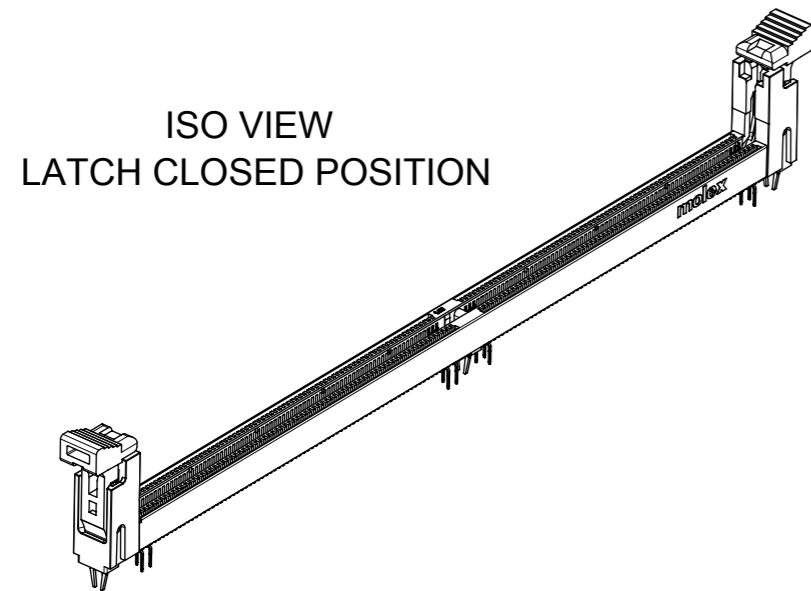
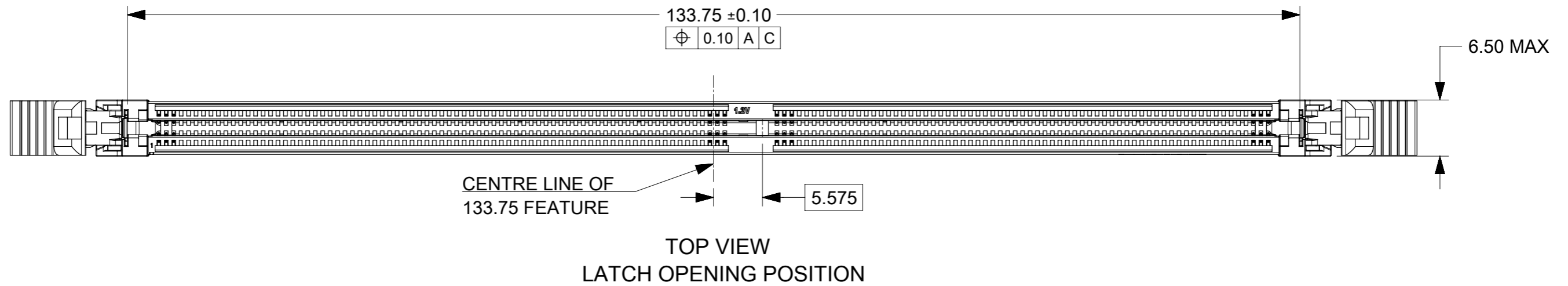
- MATERIAL : HOUSING - HALOGEN FREE HIGH TEMP POLYAMIDE, GLASS FILLED, UL94V-0.
COLOUR : SEE TABLE ON SHEET 5.
LATCH - HALOGEN FREE HIGH TEMP POLYAMIDE, GLASS FILLED, UL94V-0.
COLOUR : SEE TABLE ON SHEET 5.
TERMINAL : COPPER ALLOY.
FORKLOCK: COPPER ALLOY.
- FINISHES - SEE TABLE ON SHEET 5.
- PRODUCT SPECIFICATION : SEE TABLE ON SHEET 5.
- PACKAGING SPECIFICATION: PRODUCT SHALL BE PACKED IN TRAY, SEE SHEET 5
- CARD SLOT ACCEPTS 1.40±0.10MM MODULE THICKNESS (MEASURED OVER P.C. PADS).

- ⚠ MOLEX LOGO, DATE & PART NO. INDICATED ON HOUSING.
- ⚠ MODULE SEATING PLANE.
- ⚠ KEEP OUT ZONE RESERVED FOR LATCH.
- ⚠ KEEP OUT AREA IS THE AREA WHERE THE CONNECTOR (INCLUDES LATCHES IN OPENING POSITION) IS MOUNTED ON THE PCB.
- 10.REFER TO AS-78726-001 FOR CONNECTOR APPLICATION GUIDELINE.
- 11.REFER TO AS-78726-002 FOR PCB ROUTING RECOMMENDATIONS.

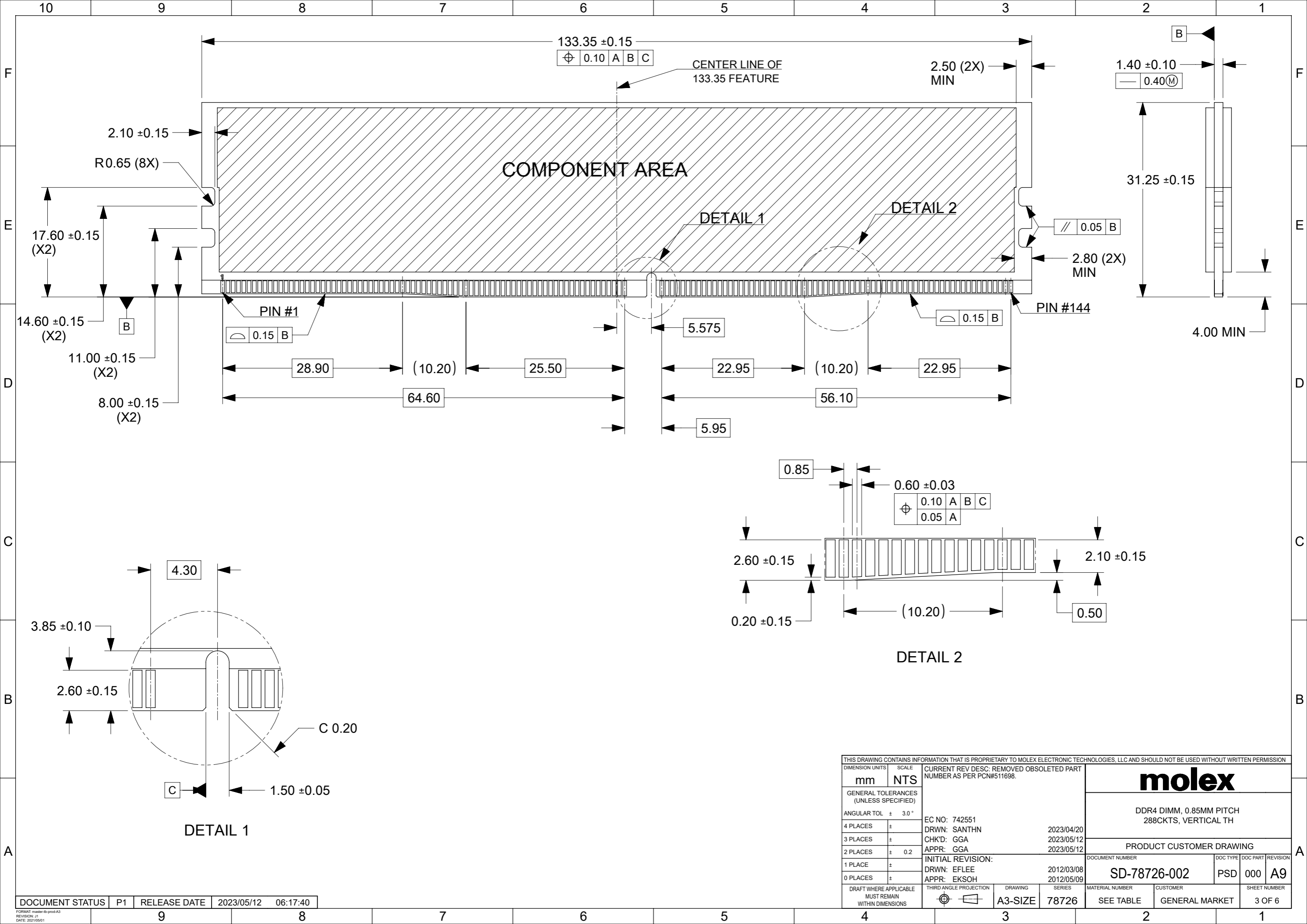
DETAIL 5 : BUMPER ZONE



THIS DRAWING CONTAINS INFORMATION THAT IS PROPRIETARY TO MOLEX ELECTRONIC TECHNOLOGIES, LLC AND SHOULD NOT BE USED WITHOUT WRITTEN PERMISSION											
DIMENSION UNITS mm		SCALE NTS		CURRENT REV DESC: REMOVED OBSOLETE PART NUMBER AS PER PCN#511698.				molex		DDR4 DIMM, 0.85MM PITCH 288CKTS, VERTICAL TH	
GENERAL TOLERANCES (UNLESS SPECIFIED)		ANGULAR TOL ± 3.0°		EC NO: 742551 DRWN: SANTHN 2023/04/20 CHK'D: GGA 2023/05/12 APPR: GGA 2023/05/12						PRODUCT CUSTOMER DRAWING	
4 PLACES ±		3 PLACES ±		2 PLACES ± 0.2		1 PLACE ±		0 PLACES ±		DOCUMENT NUMBER SD-78726-002	
DRAFT WHERE APPLICABLE MUST REMAIN WITHIN DIMENSIONS		THIRD ANGLE PROJECTION		DRAWING A3-SIZE		SERIES 78726		MATERIAL NUMBER SEE TABLE		CUSTOMER GENERAL MARKET	
								DOCTYPE PSD		DOC PART 000	
								REVISION A9		SHEET NUMBER 1 OF 6	



THIS DRAWING CONTAINS INFORMATION THAT IS PROPRIETARY TO MOLEX ELECTRONIC TECHNOLOGIES, LLC AND SHOULD NOT BE USED WITHOUT WRITTEN PERMISSION										
DIMENSION UNITS	SCALE	CURRENT REV DESC: REMOVED OBSOLETE PART NUMBER AS PER PCN#511698.								
mm	NTS									
GENERAL TOLERANCES (UNLESS SPECIFIED)										
ANGULAR TOL	± 3.0 °	DDR4 DIMM, 0.85MM PITCH 288CKTS, VERTICAL TH								
4 PLACES	±									
3 PLACES	±	PRODUCT CUSTOMER DRAWING								
2 PLACES	± 0.2									
1 PLACE	±	EC NO: 742551 DRWN: SANTHN 2023/04/20 CHK'D: GGA 2023/05/12 APPR: GGA 2023/05/12								
0 PLACES	±									
DRAFT WHERE APPLICABLE MUST REMAIN WITHIN DIMENSIONS		THIRD ANGLE PROJECTION	DRAWING	SERIES	MATERIAL NUMBER	CUSTOMER	DOCUMENT NUMBER	DOC TYPE	DOC PART	REVISION
			A3-SIZE	78726	SEE TABLE	GENERAL MARKET	SD-78726-002	PSD	000	A9



10 9 8 7 6 5 4 3 2 1

F
E
D
C
B
A

9 8 7 6 5 4 3 2 1

133.35 ± 0.15
⊕ 0.10 A B C

CENTER LINE OF
133.35 FEATURE

2.50 (2X)
MIN

1.40 ± 0.10
— 0.40(M)

COMPONENT AREA

DETAIL 1

DETAIL 2

2.10 ± 0.15
R0.65 (8X)
17.60 ± 0.15 (X2)
14.60 ± 0.15 (X2)
11.00 ± 0.15 (X2)
8.00 ± 0.15 (X2)

31.25 ± 0.15

// 0.05 B

2.80 (2X)
MIN

4.00 MIN

PIN #1

PIN #144

0.15 B

5.575

0.15 B

28.90

(10.20)

25.50

22.95

(10.20)

22.95

64.60

56.10

5.95

0.85

0.60 ± 0.03

⊕ 0.10 A B C
0.05 A

2.60 ± 0.15

2.10 ± 0.15

0.20 ± 0.15

(10.20)

0.50

DETAIL 2

3.85 ± 0.10

4.30

2.60 ± 0.15

C 0.20

C

1.50 ± 0.05

DETAIL 1

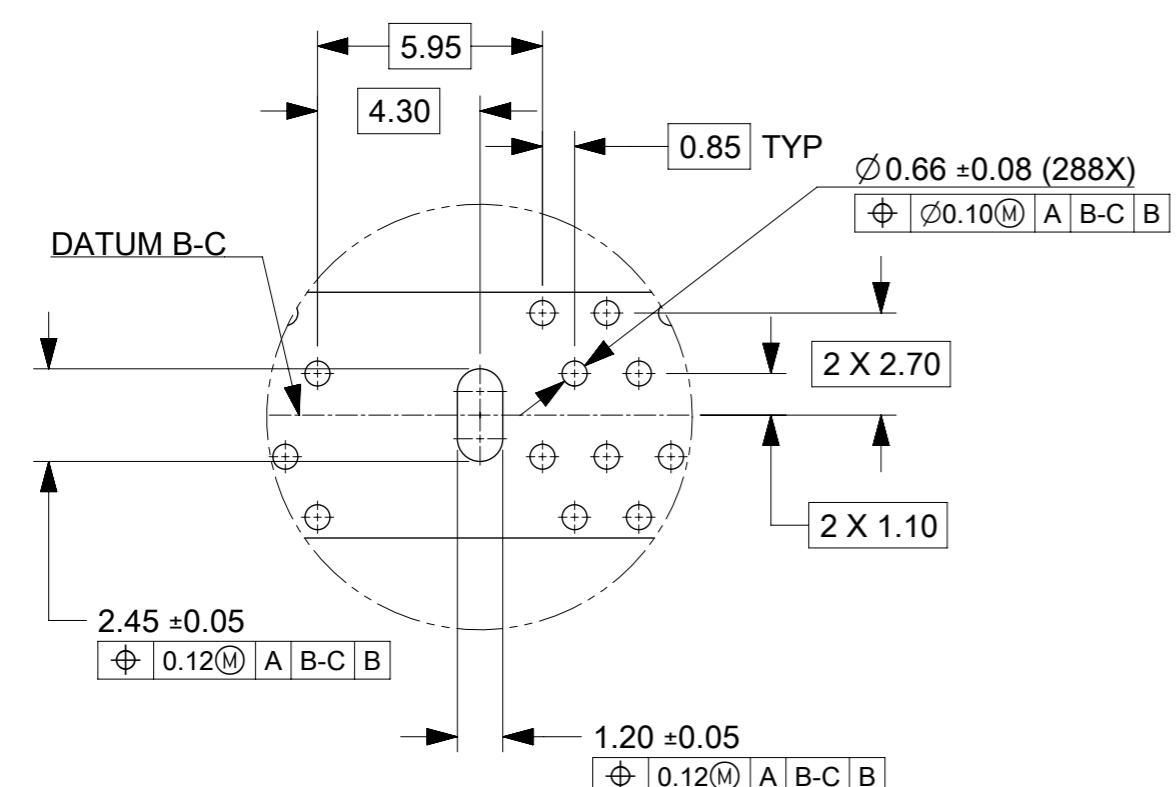
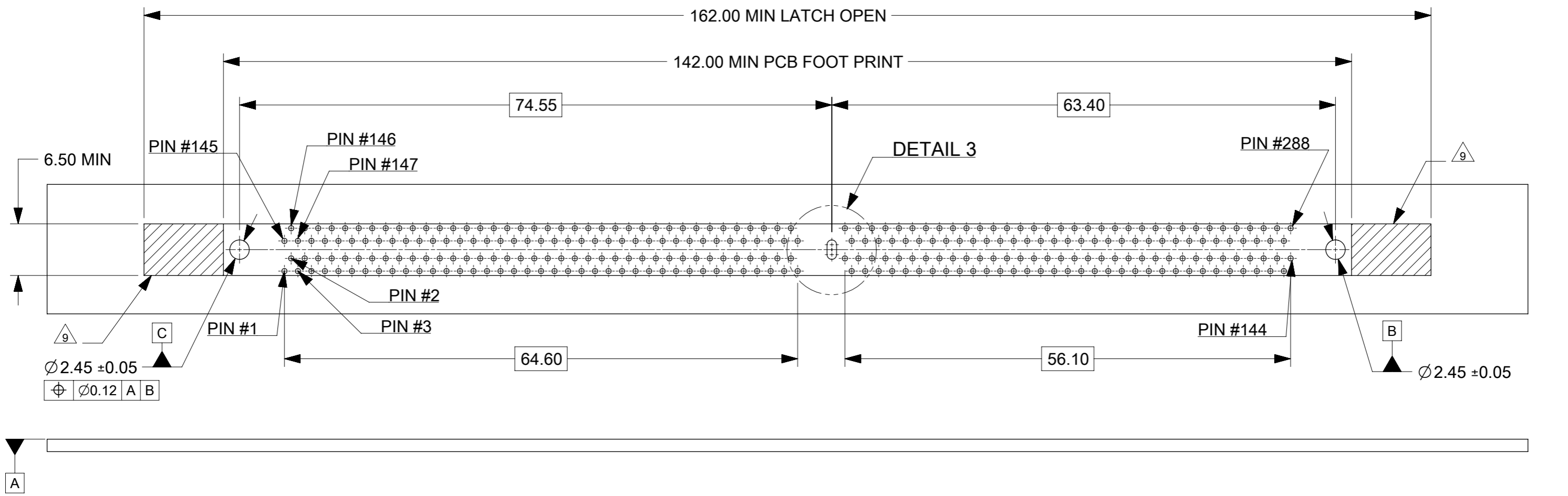
THIS DRAWING CONTAINS INFORMATION THAT IS PROPRIETARY TO MOLEX ELECTRONIC TECHNOLOGIES, LLC AND SHOULD NOT BE USED WITHOUT WRITTEN PERMISSION

DIMENSION UNITS mm	SCALE NTS	CURRENT REV DESC: REMOVED OBSOLETE PART NUMBER AS PER PCN#511698.		molex		
GENERAL TOLERANCES (UNLESS SPECIFIED)		EC NO: 742551				DDR4 DIMM, 0.85MM PITCH 288CKTS, VERTICAL TH
ANGULAR TOL	± 3.0 °	DRWN: SANTHN 2023/04/20		PRODUCT CUSTOMER DRAWING		
4 PLACES	±	CHK'D: GGA 2023/05/12		DOCUMENT NUMBER		
3 PLACES	±	APPR: GGA 2023/05/12		SD-78726-002		
2 PLACES	± 0.2	INITIAL REVISION:		DOC TYPE		
1 PLACE	±	DRWN: EFLEE 2012/03/08		PSD		
0 PLACES	±	APPR: EKSOH 2012/05/09		DOC PART		
DRAFT WHERE APPLICABLE MUST REMAIN WITHIN DIMENSIONS		THIRD ANGLE PROJECTION	DRAWING	SERIES	MATERIAL NUMBER	CUSTOMER
			A3-SIZE	78726	SEE TABLE	GENERAL MARKET
						SHEET NUMBER
						3 OF 6

DOCUMENT STATUS | P1 | RELEASE DATE | 2023/05/12 06:17:40

FORMAT: master-b-prod-A3
REVISION: 11
DATE: 2021/05/01

10 9 8 7 6 5 4 3 2 1



DETAIL 3

THIS DRAWING CONTAINS INFORMATION THAT IS PROPRIETARY TO MOLEX ELECTRONIC TECHNOLOGIES, LLC AND SHOULD NOT BE USED WITHOUT WRITTEN PERMISSION									
DIMENSION UNITS	SCALE	CURRENT REV DESC: REMOVED OBSOLETE PART NUMBER AS PER PCN#511698.							
mm	NTS								
GENERAL TOLERANCES (UNLESS SPECIFIED)									
ANGULAR TOL	± 3.0 °	EC NO: 742551 DRWN: SANTHN 2023/04/20 CHK'D: GGA 2023/05/12 APPR: GGA 2023/05/12							
4 PLACES	±	INITIAL REVISION: DRWN: EFLEE 2012/03/08 APPR: EKSOH 2012/05/09							
3 PLACES	±	DOCUMENT NUMBER: SD-78726-002 DOC TYPE: PSD DOC PART: 000 REVISION: A9							
2 PLACES	± 0.2	MATERIAL NUMBER: SEE TABLE CUSTOMER: GENERAL MARKET							
1 PLACE	±	SERIES: 78726 SHEET NUMBER: 4 OF 6							
0 PLACES	±	DRAFT WHERE APPLICABLE MUST REMAIN WITHIN DIMENSIONS THIRD ANGLE PROJECTION DRAWING: A3-SIZE							

9 8 7 6 5 4 3 2 1

F
E
D
C
B
A

CKT SIZE	ASSEMBLY PART NO.	HOUSING COLOR	LATCH COLOR	DIM "P"	RECOMMENDED PCB THICKNESS	PLATING OPTION		PRODUCT SPEC. NO.	PACKAGING SPEC. NO.
						TERMINAL	FORKLOCK		
288	78726-1051	BLACK	BLACK	2.10	1.57	0.76 MICROMETER (30 MICROINCH) MIN GOLD ON CONTACT	1 MICROMETER (40 MICROINCH) MIN TIN OVERALL (PRE-PLATED)	PS-78726-001	PK-78726-001
	78726-1039			2.40	1.57				
	78726-1002			2.67	1.57				
	78726-1003			3.18	2.36				
	78726-1026			3.50	3.00				
	78726-1040	BLACK	WHITE	2.40	1.57				
	78726-1004			2.67	1.57				
	78726-1005			3.18	2.36				
	78726-1041	WHITE	BLACK	2.40	1.57				
	78726-1054	WHITE	WHITE	2.10	1.57				
	78726-1042			2.40	1.57				
	78726-1029			3.50	3.00				
	78726-1055			2.10	1.57				
	78726-1043	BLUE	BLUE	2.40	1.57				
	78726-1010			2.67	1.57				
	78726-1011			3.18	2.36				
	78726-1030			3.50	3.00				
	78726-1023			BLUE	WHITE				3.18
	78726-1064	YELLOW	WHITE	2.40	1.57				
	78726-0081	BLACK	BLACK	3.18	2.36				
78726-3005	WHITE			3.18	2.36				
78726-3052				2.10	1.57				
78726-4039				BLACK	2.40	1.57			
78726-4040				WHITE	2.40	1.57			

THIS DRAWING CONTAINS INFORMATION THAT IS PROPRIETARY TO MOLEX ELECTRONIC TECHNOLOGIES, LLC AND SHOULD NOT BE USED WITHOUT WRITTEN PERMISSION

DIMENSION UNITS	SCALE	CURRENT REV DESC: REMOVED OBSOLETE PART NUMBER AS PER PCN#511698.	molex		
mm	NTS				
GENERAL TOLERANCES (UNLESS SPECIFIED)		EC NO: 742551 DRWN: SANTHN 2023/04/20 CHK'D: GGA 2023/05/12 APPR: GGA 2023/05/12	DDR4 DIMM, 0.85MM PITCH 288CKTS, VERTICAL TH		
ANGULAR TOL	± 3.0 °		PRODUCT CUSTOMER DRAWING		
4 PLACES	±		DOCUMENT NUMBER		
3 PLACES	±		SD-78726-002		
2 PLACES	± 0.2		DOC TYPE DOC PART REVISION		
1 PLACE	±	PSD 000 A9			
0 PLACES	±	INITIAL REVISION:			
DRAFT WHERE APPLICABLE MUST REMAIN WITHIN DIMENSIONS		DRWN: EFLEE 2012/03/08	MATERIAL NUMBER		
THIRD ANGLE PROJECTION		APPR: EKSOH 2012/05/09	CUSTOMER		
DRAWING		SERIES		SHEET NUMBER	
A3-SIZE		78726		5 OF 6	
		SEE TABLE		GENERAL MARKET	

CKT SIZE	ASSEMBLY PART NO.	HOUSING COLOR	LATCH COLOR	DIM "P"	RECOMMENDED PCB THICKNESS	PLATING OPTION		PRODUCT SPEC. NO.	PACKAGING SPEC. NO.
						TERMINAL	FORKLOCK		
288	78726-1045	BLACK	BLACK	2.40	1.57	0.38 MICROMETER (15 MICROINCH) MIN GOLD ON CONTACT	1 MICROMETER (40 MICROINCH) MIN TIN OVERALL (PRE-PLATED)	PS-78726-002	PK-78726-001
	78726-1012			2.67	1.57				
	78726-1013			3.18	2.36				
	78726-1032			3.50	3.00				
	78726-1046	BLACK	WHITE	2.40	1.57				
	78726-1033			3.50	3.00				
	78726-1059	WHITE	BLACK	2.10	1.57				
	78726-1047			2.40	1.57				
	78726-1048	WHITE	WHITE	2.40	1.57				
	78726-1018			2.67	1.57				
	78726-1035			3.50	3.00				
	78726-1049			2.40	1.57				
	78726-1020	BLUE	BLUE	2.67	1.57				
	78726-1021			3.18	2.36				
	78726-1036	BLUE	WHITE	3.50	3.00				
	78726-1050			2.40	1.57				
	78726-1037			3.50	3.00				
	78726-1072			3.50	3.00				
	78726-3012	BLACK	BLACK	2.67	1.57				
	78726-3032			3.50	3.00				
78726-3020	BLUE	BLUE	2.67	1.57					
78726-3036			3.50	3.00					
									787260003

THIS DRAWING CONTAINS INFORMATION THAT IS PROPRIETARY TO MOLEX ELECTRONIC TECHNOLOGIES, LLC AND SHOULD NOT BE USED WITHOUT WRITTEN PERMISSION

DIMENSION UNITS	SCALE	CURRENT REV DESC: REMOVED OBSOLETE PART NUMBER AS PER PCN#511698.	molex			
mm	NTS					
GENERAL TOLERANCES (UNLESS SPECIFIED)			DDR4 DIMM, 0.85MM PITCH 288CKTS, VERTICAL TH			
ANGULAR TOL	± 3.0 °		PRODUCT CUSTOMER DRAWING			
4 PLACES	±	EC NO: 742551	DOCUMENT NUMBER: SD-78726-002 DOC TYPE: PSD DOC PART: 000 REVISION: A9			
3 PLACES	±	DRWN: SANTHN 2023/04/20				
2 PLACES	± 0.2	CHK'D: GGA 2023/05/12 APPR: GGA 2023/05/12				
1 PLACE	±	INITIAL REVISION:				
0 PLACES	±	DRWN: EFLEE 2012/03/08 APPR: EKSOH 2012/05/09				
DRAFT WHERE APPLICABLE MUST REMAIN WITHIN DIMENSIONS	THIRD ANGLE PROJECTION	DRAWING	SERIES	MATERIAL NUMBER	CUSTOMER	SHEET NUMBER
		A3-SIZE	78726	SEE TABLE	GENERAL MARKET	6 OF 6