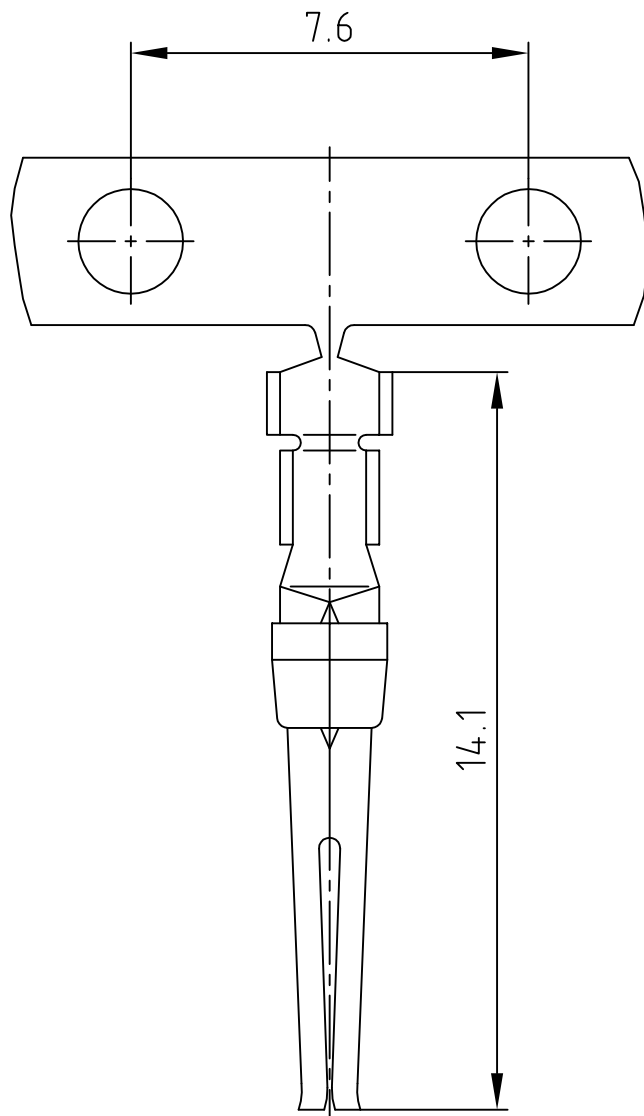
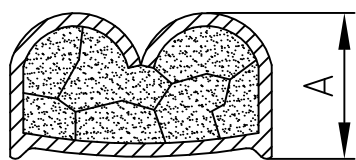
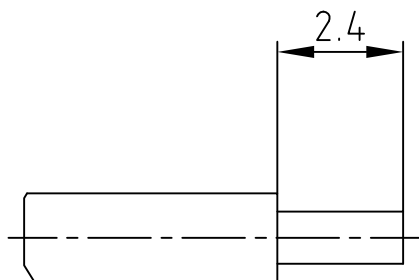


used for: D-SUB



Wire size AWG	Crimp height A
28	0,61 - 0,76
26	0,66 - 0,81
24	0,66 - 0,86

STRIPPING DIMENSIONS



NOTES:

- (b) Material: Phosphor Bronze
- Finish: Gold Flash over Nickel in the Contact Area
- Temperature Range: -55°C to +125°C
- Rated Current: 5.0A
- Contact Resistance: <= 10mOhm
- Length of Reel-small Reel Wheeled Right: 500 Contacts
- Crimping: Use Crimp Tool 360X10079X

Directive 2002/95/EC RoHS compliant

THIS DRAWING MAY NOT BE COPIED OR REPRODUCED IN ANY WAY, AND MAY NOT BE PASSED ON TO A THIRD PARTY WITHOUT WRITTEN PERMISSION.
 OWNERSHIP AND COPYRIGHT OF CONEC GmbH
 DO NOT ALTER CAD DRAWING BY HAND

finish:				tolerance			 dim. in mm	scale: 5:1	
								material: SEE NOTES	
				2010	date	name		title: SOCKET CONTACT CRIMP AWG 28-24 (small spool wheeled right)	
				drawn	03.12.	Henneboel			
				appd.	03.12.	Koch			
				norm					
				d-old					
1 x b	Ä 4116	26.09.2011	Lehmen.					dwg no: AutoCAD 2006 DIN-A 16K1A2747 4	
a	Original							sh: 1/1	
rev.	description	date	name					part no: 162A11879X	

4

3

2

1