

电源产品规格书

Power supply product specification

产品名称: 120W—LED 桌面式电源

120W—LED 桌面式电源

Product Name: 120W—LED Desktop Adapter

120W—LED Desktop Adapter

产品型号: AD-EL-1201200-Z (PF>0.9)

AD-EL-2401200-Z (PF>0.9)

Product Item: AD-EL-1201200-Z (PF>0.9)

AD-EL-2401200-Z (PF>0.9)

Shanghai Edge Light Industry Co.,LTD.

TEL:+86-21-64412288

FAX:+86-21-64412266

E-mail: info@edgelight.com



1、产品简介 Product Introductions



AD-EL-1201200-Z (PF>0.9)



AD-EL-2401200-Z (PF>0.9)

- 电气类型：隔离电源

Electrical type: isolated power supply

- 功能说明：全电压（半电压）无频闪

Function description: full voltage (half voltage) without stroboscopic

- 产品特性：SELV 全电压范围内满载输出，高性能，高效率，高功率密度，可以连接我司的 three-in-one 调光控制器 构成 pwm/0-10v/resistor 调光电源

Features: Full load output in SELV full voltage range, high performance, high efficiency, high power density, can be connected to our three-in-one dimming controller. pwm/0-10v/resistor dimming power supply

- 应用领域：led 照明领域，通信互联网设备供电
- 质保：参见产品寿命曲线

Warranty: See product life curve

- 认证：



Certification:

2、电气规格 Electrical Specifications

指标 Index	型号全称 Full name of model	AD-EL-1201200-Z(PF>0.9)	AD-EL-2401200-Z(PF>0.9)
输出特性 Output characteristic	输出电压 Output voltage	12V	24V
	输出电流 Output current	10A	5A
	纹波+噪声电压 (最大) Ripple voltage + noise(peak-to-pe ak)	200mV (Vp-p)	150mV (Vp-p)
	电压精度 Voltage accuracy	±3%	±1%
	启动时间 (最大) Start time (maximum)	1s	1s
	温度漂移 Temperature drift	±0.03%/°C (0-60°C)	±0.03%/°C (0-60°C)
	输出线性调整率 Output linear adjustment rate	±3%	±1%
	负载调整率 Load regulation rate	±3%	±1%
	保持时间 Preserve time	80ms	40ms
	输入特性 Input characteristic s	输入电压 Input voltage	100VAC-240VAC
输入频率 Input frequency		50Hz/60Hz	50Hz/60Hz
输入电流 (最大值) Input current (maximum)		2A	2.3A
漏电流		0.8mA	0.7mA

	Leakage current		
	效率 Efficiency	88%	91%
	浪涌电流 Surge current	冷启动 40A @230Vac	
	空载功耗/待机功耗 No-load power consumption / standby power consumption	0.8W/0.8W	0.85W/0.85W
保护特性 Protection characteristics	过流保护 Over current protection	15A	9A
	短路保护 Short circuit protection	有 yes	有 yes
环境描述 Environmental description	工作温度 Operating temperature	Tcase=-20°C-50°C	
	工作湿度 Working humidity	20-95%RH, 无冷凝 No cold condensation	
	存储温度-湿度 Storage temperature-humidity	-20°C-50°C 10-95%RH	
	大气压强 Atmospheric pressure	86-106KPa	
安全及规范 Safety and regulation	认证 Certification	CE、CB、UL-60950、UL-1310 (仅AD-EL-240720-Z)	
	耐压 Pressure resistant	I/P-O/P:3KVAC	
	绝缘阻抗 Insulation resistance	I/P-O/P, I/P-FG,O/P-FG: 100MΩ/500Vdc/70%RH	
	电磁兼容干扰 Electromagnetic compatibility	符合 EN55015、EN61000-3-2、EN61000-3-3, EN61547 标准要求 Meets EN55015, EN61000-3-2, EN61000-3-3, EN61547	

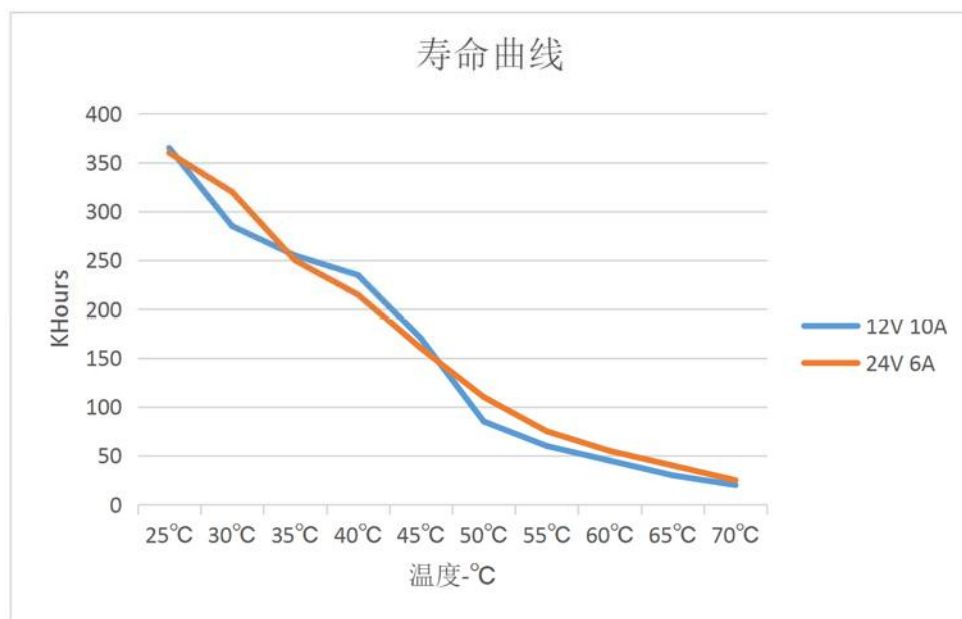
	interference	requirements	
	电磁兼容抗干扰 Electromagnetic compatibility anti-jamming	EN61000-3-2, EN61000-3-3, EN61547 标准要求 EN61000-3-2, EN61000-3-3, EN61547 standard requirements	
其他 Others	包装 Package	净重量约 486.2g, 包装 530g*50pcs; 26.5kg The net weight is about 486.2g, and the package is 530*50pcs; 26.5kg	净重量 488.8g, 包装 530*50pcs; 26.5kg Net weight 488.8g, packaging 530*50pcs; 26.5kg
	尺寸 Size	171.5*72*33.12mm	
	IP 等级说明 IP Level description	IP20	
	质保说明 Warranty description	≥2 年, 参见寿命曲线 ≥ 2 years, refer to life curve	≥2 年, 参见寿命曲线 ≥ 2 years, refer to life curve
测试设备 Test Equipment	LCR METER: TH2830, fluke 数字万用表, 电子负载: PEL-3041, 交流源: 远方 PPS1010、功率分析仪: Ainuo, 数字示波器: SDS3034E, 传导分析仪: 远方 LS-3、FFT3030, 接地电阻测试仪: MS2520C 型, 耐压测试仪: TH9320, 烤箱, 电脑监控老化测试系统 LCR METER: TH2830, fluke digital multimeter, electronic load: PEL-3041, AC source: remote PPS1010, power analyzer: Ainuo, digital oscilloscope: SDS3034E, conduction analyzer: remote LS-3, FFT3030, ground resistance tester: MS2520C Type, withstand voltage tester: TH9320, oven, computer monitoring aging test system.		
测试说明 Test instruction	纹波电压测试方法: 示波器探头设置 AC, 带宽设置 20M, 在输出端并接 10uF 电解电容/100nF 贴片电容。 电压调整率: 所述产品效率在输入电压 230Vac 时测试。 Ripple voltage test method: The oscilloscope probe is set to AC, the bandwidth is set to 20M, and 10uF electrolytic capacitor/100nF chip capacitor is connected at the output end. Voltage Regulation: The product efficiency is tested at an input voltage of 230Vac.		



3、产品寿命 Product life span

在一个密闭空间内，当环境温度达到 30°C, 40°C, 50°C, 60°C, 70°C时，计算产品使用寿命

In a confined space, when the ambient temperature reaches 30 ° C, 40 ° C, 50 ° C, 60 ° C, 70 ° C, Calculate product life



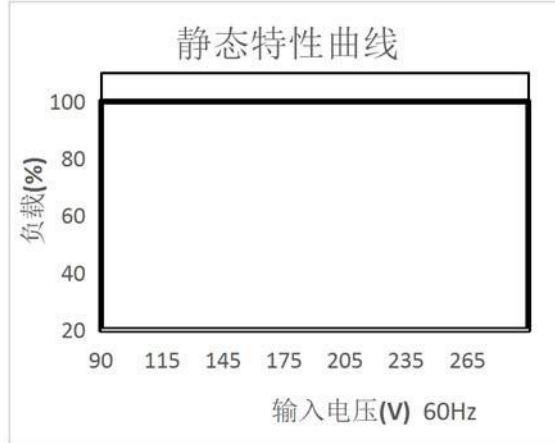
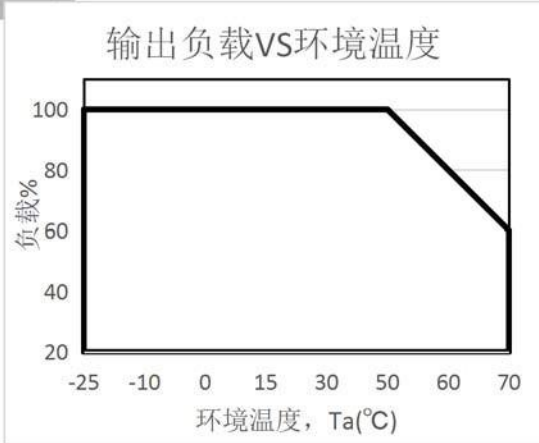
4. 输出负载 VS 环境温度

Output load VS ambient temperature

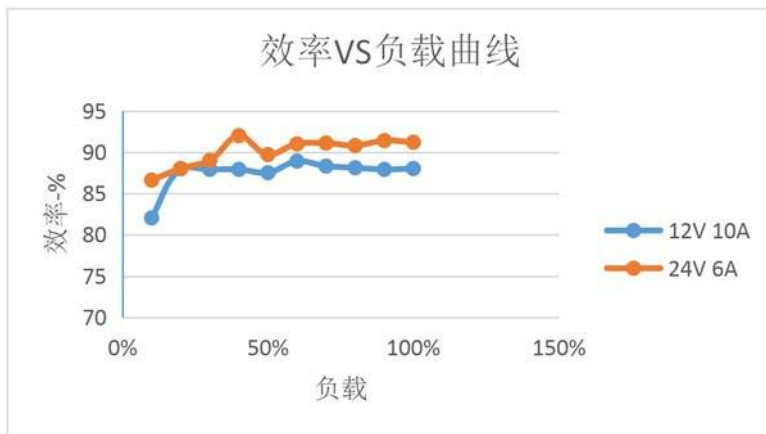
5. 静态特性曲线

Static characteristic curve

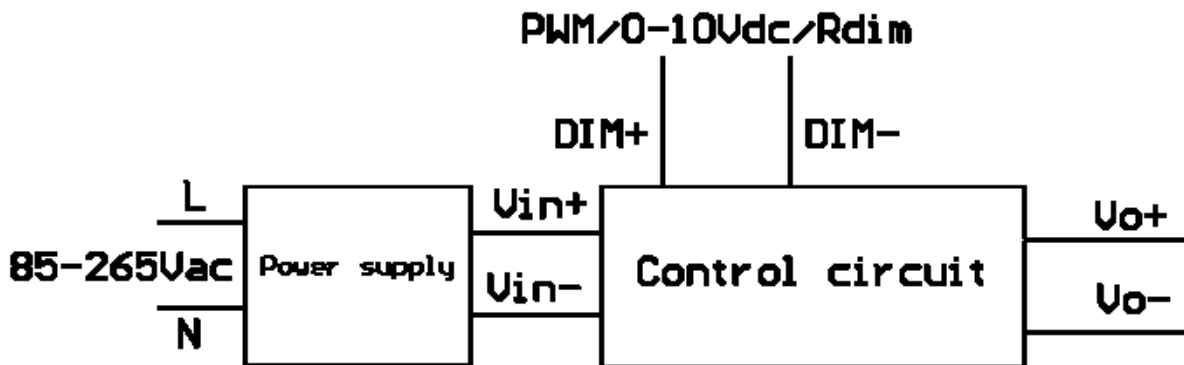




6、效率 VS 负载 Efficiency vs load



7、结合调光器使用连接图 Use the connection diagram with the dimmer



三合一调光功能:

在 DIM+和 DIM-间连接一个电阻或连接 0-10V 直流电压或 PWM 信号, 即可调整输出恒电流的数值。

Vo+和 Vo-之间直接连接 12V 或者 24V 的 LED 灯条或灯带。

Three-in-one dimming function:

The output constant current value can be adjusted by connecting a resistor or connecting a 0-10V DC voltage or PWM signal between DIM+ and DIM-.

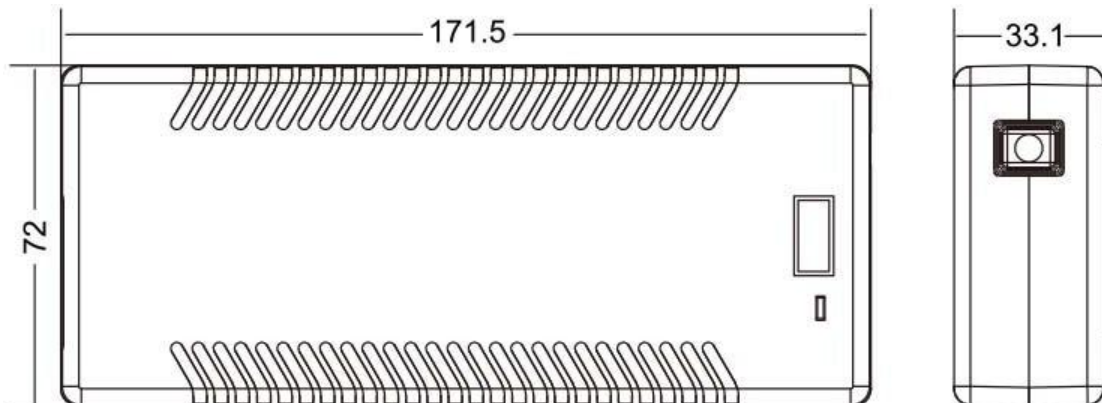
A 12V or 24V LED strip or strip is directly connected between Vo+ and Vo-.

实物图连接如下:

The material is connected in the picture as follows:



8、外观尺寸 Exterior dimension



9、铭牌 Label

