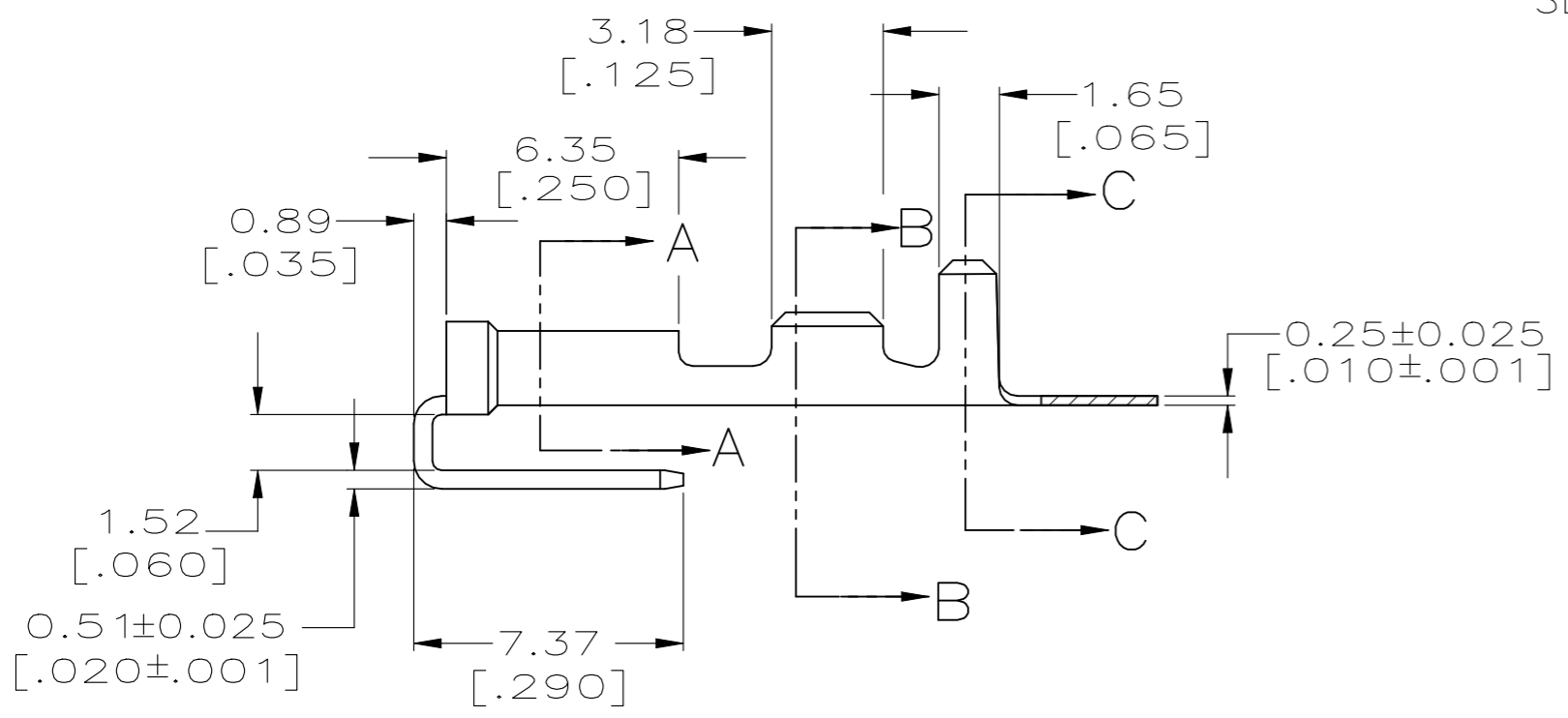
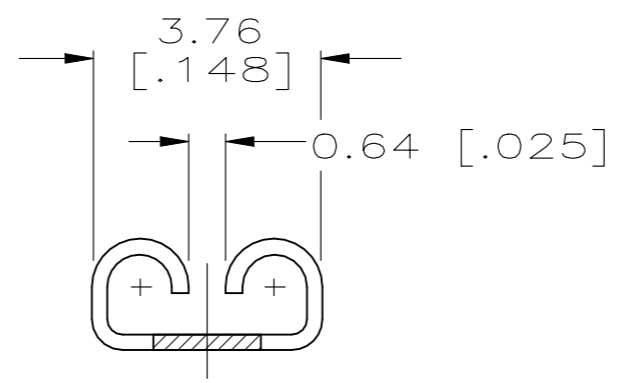
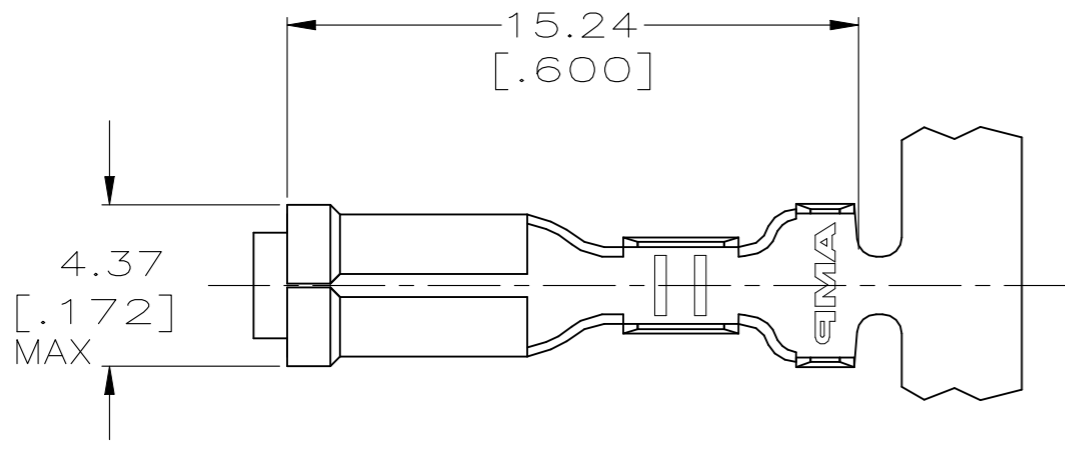
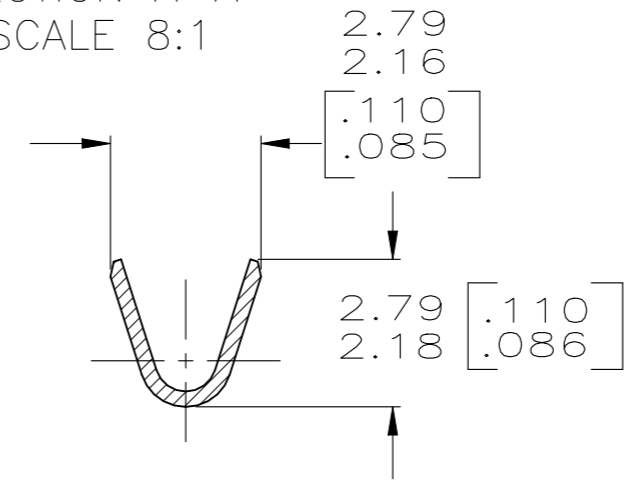


REVISIONS					
P	LTR	DESCRIPTION	DATE	DWN	APVD
	D1	REVISED PER ECR-21-113405	31MAY2022	SS	DH

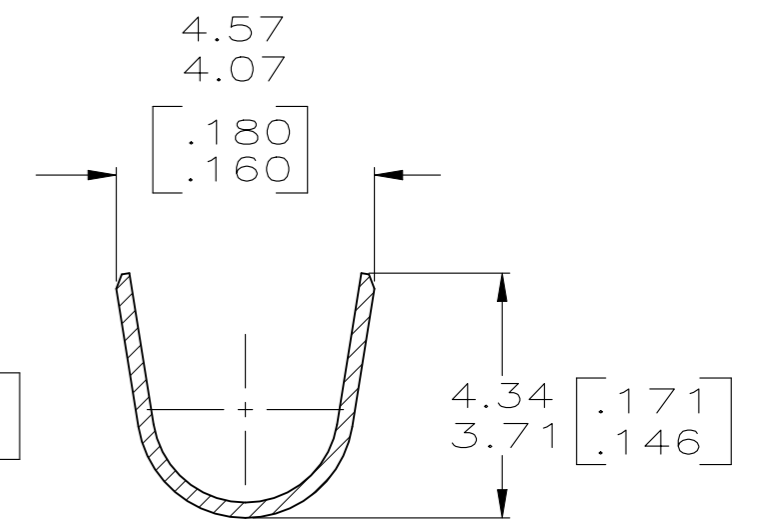
- CONTINUOUS STRIP ON REELS.
- FIRST INSERTION 10 LBS MAX.
FIRST EXTRACTION 2 LBS MIN.
USE TEST TAB 62061-2
- THE GAP ON THE ROLLS TO BE IN CONTACT WITH THE TAB FOR THE LENGTH OF THE ROLL BEHIND THE LEAD-IN.



SECTION A-A
SCALE 8:1



SECTION B-B
SCALE 8:1



SECTION C-C
SCALE 8:1

2.03-3.05 DIA [.080-.120] DIA	[#22-#18] AWG	0.81±0.025 [.032±.001]	63961-1
INSULATION RANGE	WIRE SIZE	MATING TAB THICKNESS	PART NO

THIS DRAWING IS A CONTROLLED DOCUMENT.		DWN JR RUTH 3/4/97	TE Connectivity RECEPTACLE, FASTON,™ PIGGYBACK, 2.79 [.110] SERIES				
DIMENSIONS: mm [INCHES]		CHK MS FEHER 3/4/97				NAME	
TOLERANCES UNLESS OTHERWISE SPECIFIED:		APVD P DESANTIS 3/4/97				PRODUCT SPEC	
0 PLC ± - 1 PLC ± - 2 PLC ± 0.25 [.010] 3 PLC ± - 4 PLC ± - ANGLES ± -		APPLICATION SPEC					
MATERIAL BRASS		FINISH TIN	114-2082	SIZE A3	CAGE CODE 00779		
CUSTOMER DRAWING			WEIGHT 0.000000	DRAWING NO C-63961	RESTRICTED TO -		
			SCALE 5:1	SHEET 1 OF 1	REV D1		