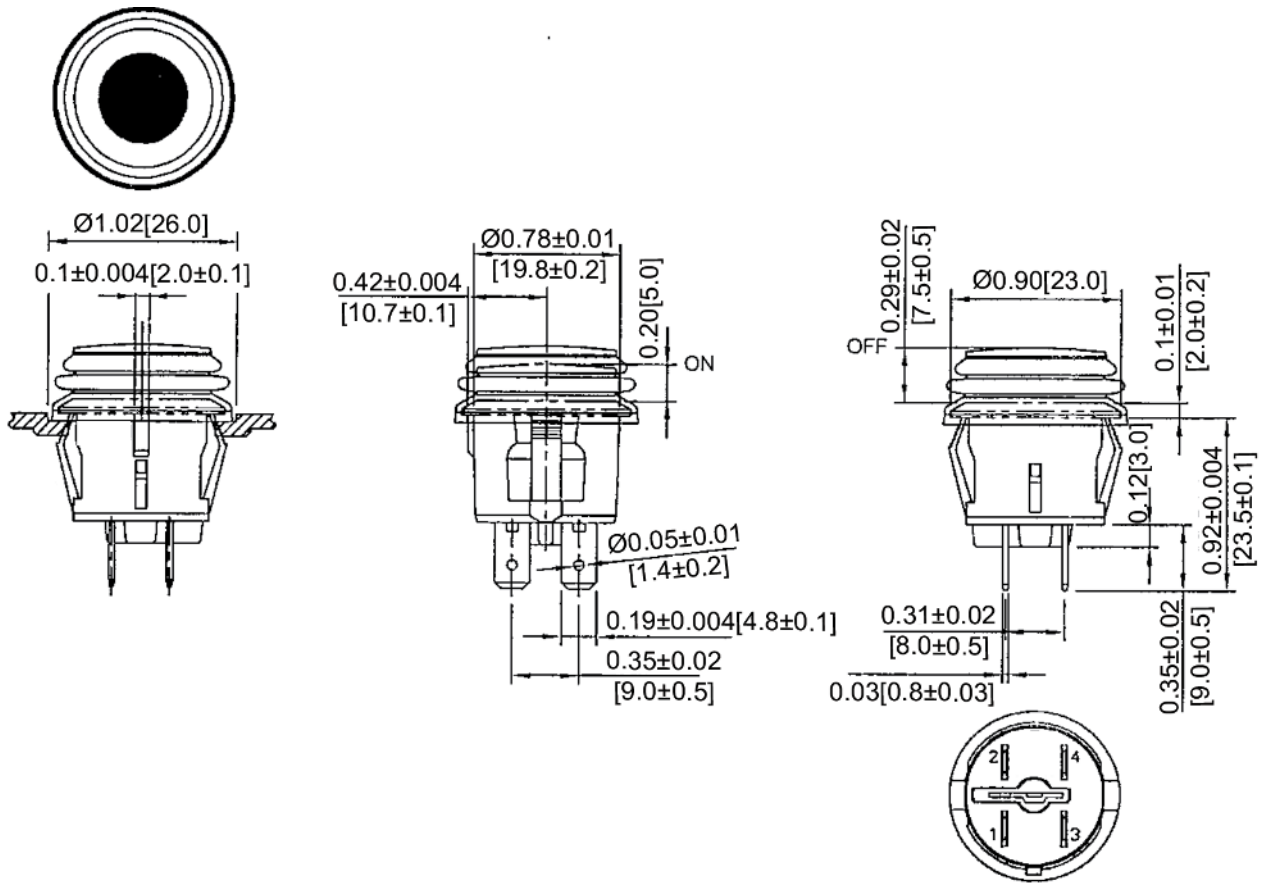
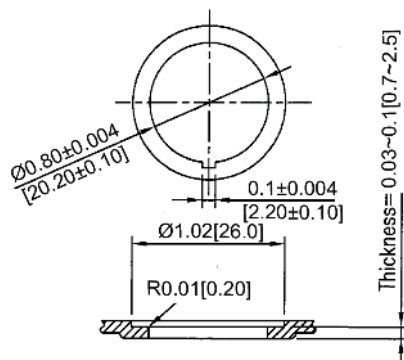


Mechanical Dimensions: Inches [mm]

Tolerances ± 0.012 [0.3] Unless Otherwise Specified

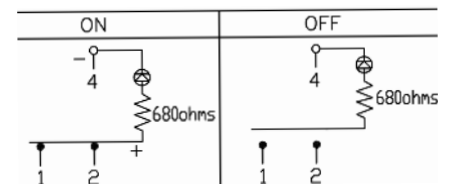


Mounting Hole



Circuit Diagram

3P SPST ON-OFF (LED)



Electrical Specifications

| | |
|-----------------------|----------------------|
| Rating | 20A 14V DC |
| Contact Resistance | 50m ohm Max. |
| Insulation Resistance | DC 500V 100M ohm Min |
| Dielectric Strength | AC 1500V 1 minute |
| Operation Temperature | -25°C ~ 85°C |

Material Specifications

| | |
|-------------------|-----------------------------|
| Frame | Black, Nylon 66 (94-V2) |
| Actuator | Red |
| Terminals | Silver Plated, Copper Alloy |
| Waterproof Rubber | Black, Silicone |
| LED | Red |

Rev **Date of issue** **Revision Notes**

Designed **Approved**

| | | | | |
|---|------------|-----------------|----|----|
| A | 05-18-2021 | Initial Drawing | RC | OF |
|---|------------|-----------------|----|----|