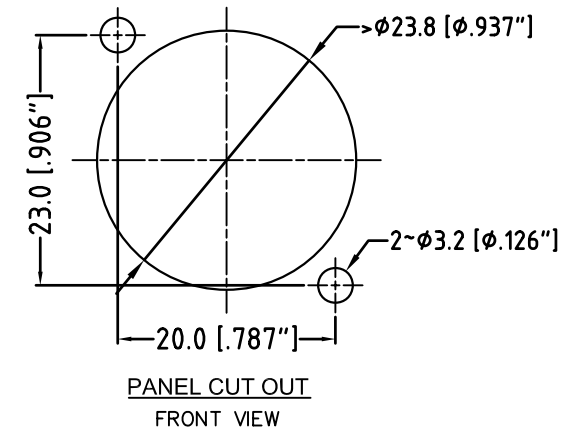
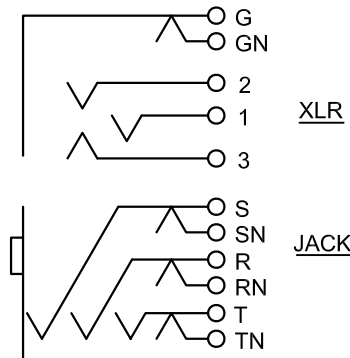


MIN MOUNTING PITCH
ACTUAL SIZE

CONTACTS SCHEMATIC CHART



UNLESS OTHERWISE SPECIFIED TOLERANCE TO BE		THIS DOCUMENT IS THE PROPERTY OF AMPHENOL AUSTRALIA PTY. LTD. NO PART THEREOF MAY BE REPRODUCED AND USED WITHOUT THE PRIOR WRITTEN CONSENT OF THE OWNER				1	Correct Minimum Mounting Pitch dimension from 14mm to 27mm	M.H	19-03-09	8811			
LINEAR	ANGULAR	CAD FILE: 55010441000110 DRN: M.H DATE: 05-10-07 TITLE: ACJC10SL C-TYPE CUSTOMER DRAWING				REV.	FIRST ISSUE	M.H	05-10-07	----			
X ± 0.5	X° ± 1°					2	CHANGE DETAILS	BY	DATE	CHG/No			
X.X ± 0.1	X*X° ± 30'					<table border="1"> <tr> <td>DO NOT SCALE</td> <td>FINISH: REFER TO COMPONENT</td> <td>APP'D: P.M</td> <td>DATE: 19-03-09</td> </tr> <tr> <td colspan="2">DIMENSIONS IN MILLIMETRES</td> <td>THIRD ANGLE PROJECTION</td> <td>SCALE: 2:1 UDS</td> </tr> </table>				DO NOT SCALE	FINISH: REFER TO COMPONENT	APP'D: P.M	DATE: 19-03-09
DO NOT SCALE	FINISH: REFER TO COMPONENT	APP'D: P.M	DATE: 19-03-09										
DIMENSIONS IN MILLIMETRES		THIRD ANGLE PROJECTION	SCALE: 2:1 UDS										
X.XX ± 0.05	X*X°X° ± 15'	<table border="1"> <tr> <td colspan="2"> Amphenol <small>Amphenol Australia Pty.Ltd, 2 Fireways Blvd, Keysborough, Vic3173</small> </td> <td>DRAWING NO.</td> <td>SHEET</td> </tr> <tr> <td colspan="2"></td> <td>55010441-000-1</td> <td>2 OF 2</td> </tr> </table>				Amphenol <small>Amphenol Australia Pty.Ltd, 2 Fireways Blvd, Keysborough, Vic3173</small>		DRAWING NO.	SHEET			55010441-000-1	2 OF 2
Amphenol <small>Amphenol Australia Pty.Ltd, 2 Fireways Blvd, Keysborough, Vic3173</small>		DRAWING NO.	SHEET										
		55010441-000-1	2 OF 2										